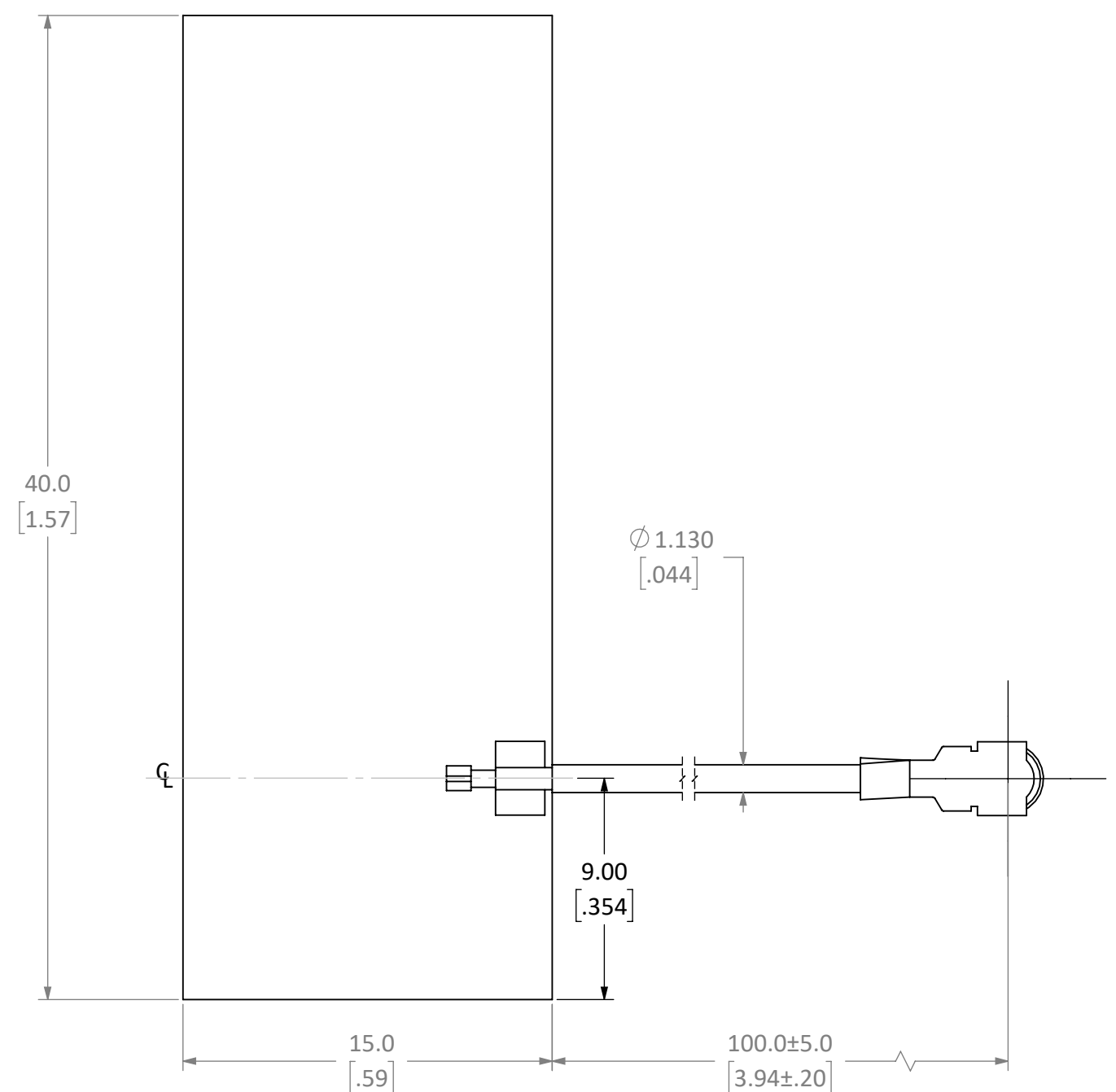
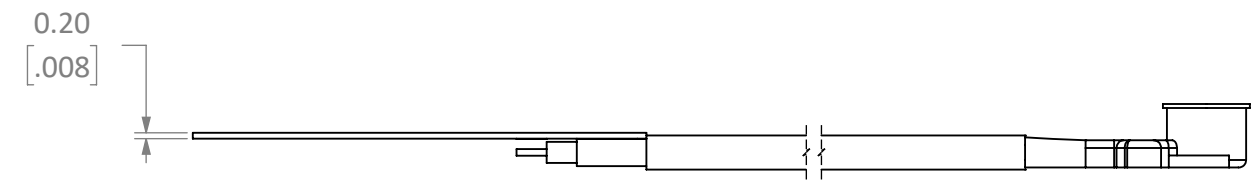


REVISIONS			
REV	DESCRIPTION	DATE	APPV
A	PRODUCTION RELEASE	JH 9/29/20	



- NOTES: (UNLESS OTHERWISE SPECIFIED)**
- ALL DIMENSIONS ARE IN MILLIMETERS [in].
  - DIMENSIONS APPLY AFTER FINISHING.
  - MANUFACTURE TO BE COMPLIANT WITH EU RoHS DIRECTIVE, USE MATERIALS THAT DO NOT CONTAIN REACH SUBSTANCES OF VERY HIGH CONCERN >1000ppm, AND USE DRC CONFLICT-FREE SOURCED MATERIALS.
  - ANTENNA: FLEXIBLE FPC TYPE:
    - FREQ1: 902MHz - 930MHz
    - FREQ2: 868MHz - 876MHz
    - VSWR F1: 2.0 MAX
    - VSWR F2: 1.6 MAX
    - EFFICIENCY F1: 15%
    - EFFICIENCY F2: 19%
    - 1/2 WAVE TYPE
  - CABLE:
    - TYPE: COAX RG Ø1.13mm
    - IMPEDANCE: 50Ω
    - MIN BEND: R4.5mm
    - LENGTH: 100mm FREE FLEX TO UFL CONNECTOR
  - ADHESIVE BACKED: 3M 300LSE ACRYLIC ADHESIVE
    - APPLY BETWEEN 20°C - 40°C
    - MEDIUM SURFACE ENERGY PLASTICS
    - SERVICE TEMP RANGE: -40°C - +75°C MAX
    - CLEAN USING ADHESION SURFACE USING ISOPROPYL ALCOHOL

**WARNING:** THIS DRAWING CONTAINS PROPRIETARY INFORMATION THAT IS THE SOLE PROPERTY OF LINX TECHNOLOGIES, AND SHALL BE TREATED AS SUCH. NO DISCLOSURE OR REPRODUCTION OF THIS DOCUMENT IS PERMITTED, IN WHOLE OR IN PART, WITHOUT THE EXPRESS WRITTEN PERMISSION OF LINX TECHNOLOGIES OR ITS DESIGNATED AGENTS.

**STE** 159 ORT LANE  
connectivity MERLIN, OR 97532

MATERIAL: VAR	INTERPRET DIMENSIONS AND TOLERANCES PER ASME Y14.5. .X ±2.0 .XX ±1.00 .XXX ±.500	PROJECTION: 
WEIGHT:	ANGLES: ±1° SURFACE:	
FINISH: VAR	DRAWN: JHAGER ENGR: DASARATHAN	DT: 9/29/20 DT:

TITLE: <b>ANTE FLEX FPC WIFI 868/915MHz 1.13X100mm UFL</b>		
SIZE <b>B</b>	DWG. NO. <b>C-ANT-8_9-FPC-UFL-100</b>	REV <b>A</b>
SCALE: 4:1	DO NOT SCALE DRAWING	SHEET 1 OF 1

8 7 6 5 4 3 2 1

D  
C  
B  
A

D  
C  
B  
A

8 7 6 5 4 3 2 1 LDCDFB\_B