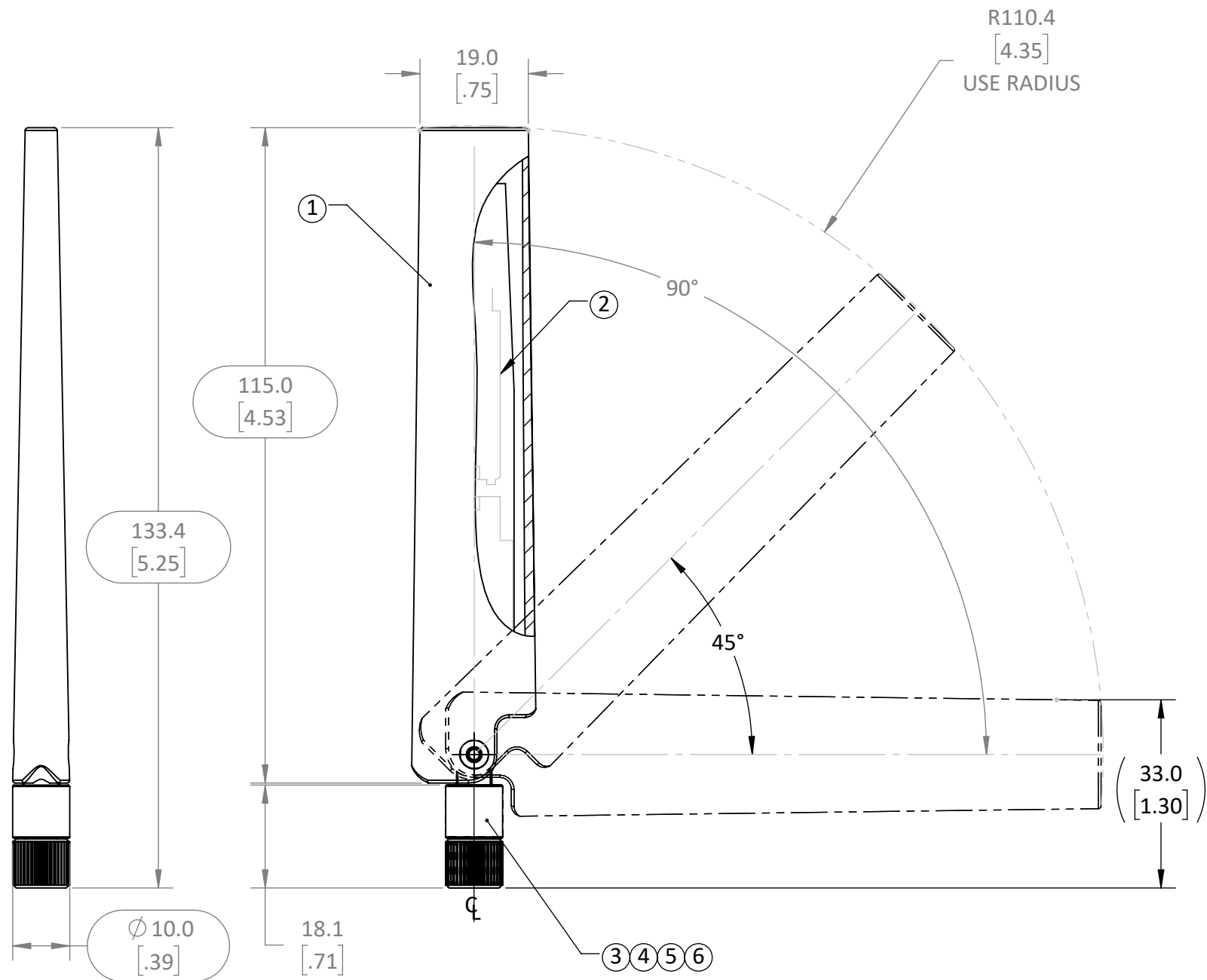


| REVISIONS | | | |
|-----------|--------------------|--------------------|---------------|
| REV | DESCRIPTION | DATE | APPV |
| A | PRODUCTION RELEASE | JHAGER 12/27/21 | DV 1/20/22 |

D
C
B
A



- NOTES: (UNLESS OTHERWISE SPECIFIED)
1. ALL DIMENSIONS ARE IN MILLIMETERS [IN].
 2. DIMENSIONS APPLY AFTER FINISHING. UNLISTED GEOMETRY CONTROLLED BY MANUFACTURER DRAWINGS AT CURRENT REVISION.
 3. MANUFACTURE TO BE COMPLIANT WITH EU RoHS DIRECTIVE, USE MATERIALS THAT DO NOT CONTAIN REACH SUBSTANCES OF VERY HIGH CONCERN >1000ppm, AND USE DRC CONFLICT-FREE SOURCED MATERIALS.
 4. ELECTRICAL SPECIFICATIONS ARE FOR REFERENCE ONLY. SEE LINX DATA SHEET FOR ELECTRICAL PROPERTIES.
 1. ANTENNA TYPE: DIPOLE
 2. FREQUENCY RANGE: DUAL BAND SEE DATASHEET
 3. VSWR NTE ≤ 2.5
 4. IMPEDANCE: 50Ω
 5. PEAK GAIN: 3.0~4.0 dBi [DEPENDING ON INSTALL ENVIRONMENT]
 5. ANTENNA QUALIFIED IAW ANTENNA TEST PLAN DOCUMENT AT LATEST REVISION.
 6. MECHANICAL SPECIFICATIONS
 1. OPERATING RANGE: -30° - +85°C
 2. ARTICULATION STOPS AT 45 AND 90 DEGREES. FREE SPIN 180°
 3. INTERFACE SMA TYPE IAW MIL-STD-348B.
 4. ELEMENT MATERIAL: FR4 PCB, BLACK

| ITEM NUMBER | DESCRIPTION |
|-------------|--|
| 6 | PIN, [SEE INTERFACE] TYPE, GOLD/[SEE TABLE] |
| 5 | CONN, [SEE TABLE] TYPE NICKEL/BRASS |
| 4 | BASE, MOLDED, ARTICULATING, PC+PBT [SEE TABLE FOR COLOR] |
| 3 | CABLE, RG178, BLACK |
| 2 | ELEMENT, FR4, RIGID PCB, BLACK |
| 1 | COVER, ELEMENT, ABS BLACK |

WARNING: THIS DRAWING CONTAINS PROPRIETARY INFORMATION THAT IS THE SOLE PROPERTY OF LINX TECHNOLOGIES, AND SHALL BE TREATED AS SUCH. NO DISCLOSURE OR REPRODUCTION OF THIS DOCUMENT IS PERMITTED, IN WHOLE OR IN PART, WITHOUT THE EXPRESS WRITTEN PERMISSION OF LINX TECHNOLOGIES OR ITS DESIGNATED AGENTS.

STE 159 ORT LANE
connectivity MERLIN, OR 97532

| | | |
|---------------------------------|---|---------------------|
| MATERIAL: ABS, PC+PBT | INTERPRET DIMENSIONS AND TOLERANCES PER ASME Y14.5. | PROJECTION: |
| WEIGHT: | .X ±2.0 .XX ±1.00 .XXX ±.500 | |
| FINISH: BLACK NICKEL/GOLD | DRAWN: JHAGER ENGR: DASARATHAN | DT: 12/20/21 DT: |

| | | |
|---|------------------------------|-----------------|
| TITLE: ANTENNA WIFI 6 ARTICULATING BLADE, 3-POS, SMA TYPE | | |
| SIZE B | DWG. NO. C-ANT-5GWWS3-XXX | REV A |
| SCALE: 1:1 | DO NOT SCALE DRAWING | SHEET 1 OF 1 |

| ITEM NUMBER | CONNECTOR | MATERIAL |
|----------------|-----------|----------|
| ANT-5GWWS3-SMA | SMA | BRASS |
| ANT-5GWWS3-RPS | RPS | BeCu |