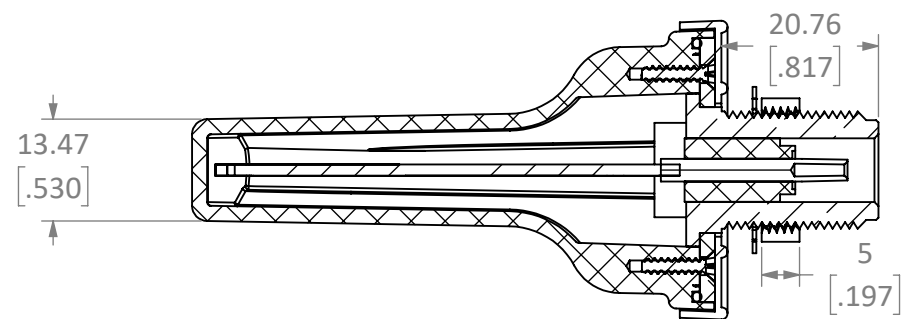
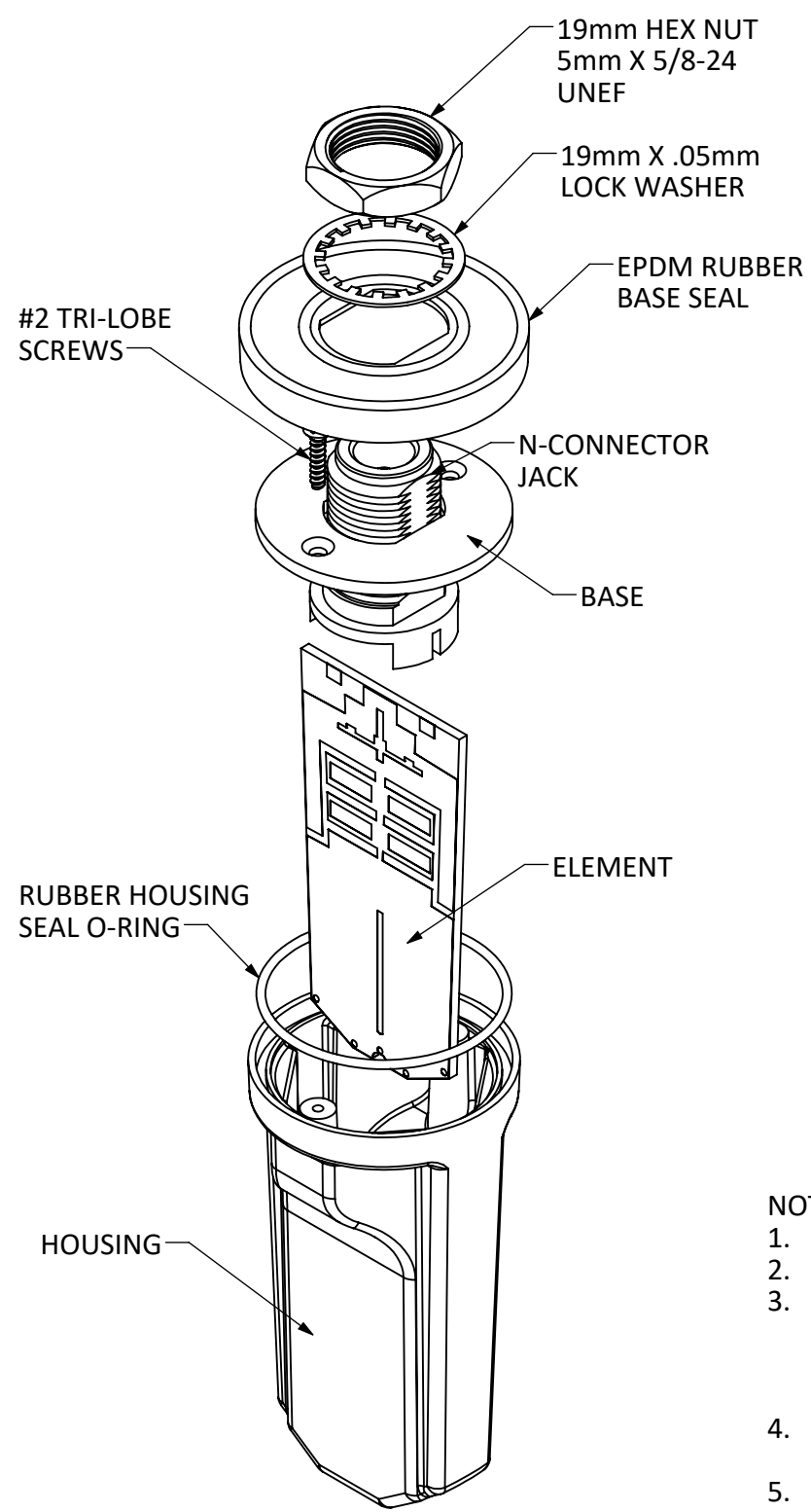
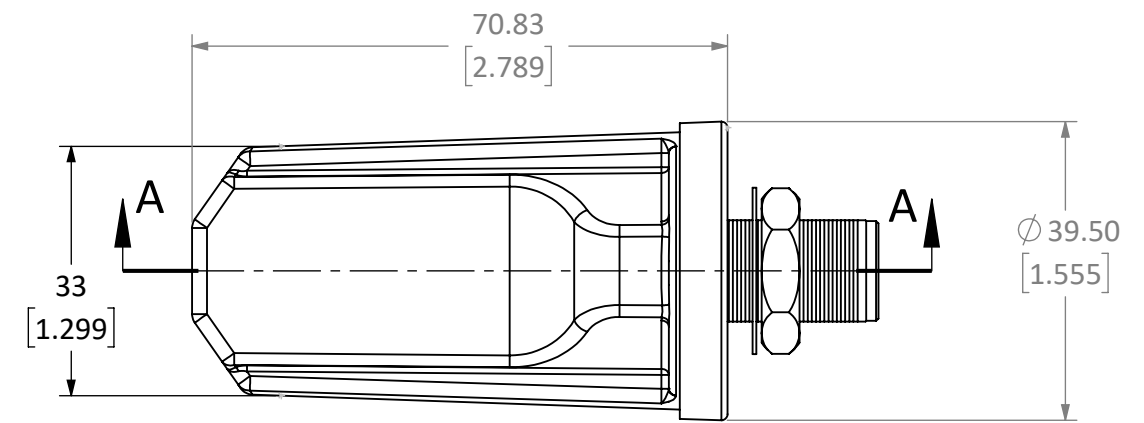
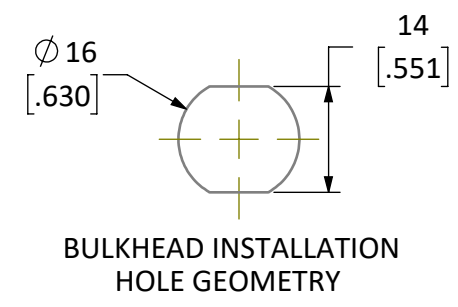



REVISIONS			
REV	DESCRIPTION	DATE	APPV
A	PRODUCTION RELEASE	JHAGER 12/23/20	DV 1/4/21



SECTION A-A



- NOTES: (UNLESS OTHERWISE SPECIFIED)
- ALL DIMENSIONS ARE IN MILLIMETERS [IN].
 - DIMENSIONS APPLY AFTER FINISHING.
 - MANUFACTURE TO BE COMPLIANT WITH EU RoHS DIRECTIVE, USE MATERIALS THAT DO NOT CONTAIN REACH SUBSTANCES OF VERY HIGH CONCERN >1000ppm, AND USE DRC CONFLICT-FREE SOURCED MATERIALS.
 - N TYPE CONNECTOR INTERFACE SHALL CONFORM TO MIL-STD-348B.
 - ENVIRONMENTAL: IP67 WATERPROOF SEALED ELEMENT AND MOUNTING BASE.
 - HOUSING AND BASE MATERIAL: ABS, BLACK UV STABLE
 - OPERATING TEMPERATURE: -30°- 70° C.
 - N-CONNECTOR MAX TORQUE: 1N-m [8.85in-lbs]
 - MAX BULKHEAD THICKNESS 3.89mm [.153in]
 - ALL GEOMETRY AND FEATURES CONTROLLED BY MODEL AT LATEST REVISION.

WARNING: THIS DRAWING CONTAINS PROPRIETARY INFORMATION THAT IS THE SOLE PROPERTY OF LINX TECHNOLOGIES, AND SHALL BE TREATED AS SUCH. NO DISCLOSURE OR REPRODUCTION OF THIS DOCUMENT IS PERMITTED, IN WHOLE OR IN PART, WITHOUT THE EXPRESS WRITTEN PERMISSION OF LINX TECHNOLOGIES OR ITS DESIGNATED AGENTS.		 159 ORT LANE MERLIN, OR 97532	
MATERIAL:		INTERPRET DIMENSIONS AND TOLERANCES PER ASME Y14.5. .X ±2.0 ANGLES: ±1° .XX ±1.00 SURFACE: √ .XXX ±.500	
WEIGHT:	FINISH:	PROJECTION:	TITLE: 5G CELLULAR ANT DOME N JACK
DRAWN:	DT: 12/29/20	SIZE B	DWG. NO. C-ANT-5GW-SPNF1
ENGR:	DT:	SCALE: 1:1	DO NOT SCALE DRAWING
		SHEET 1 OF 1	REV A