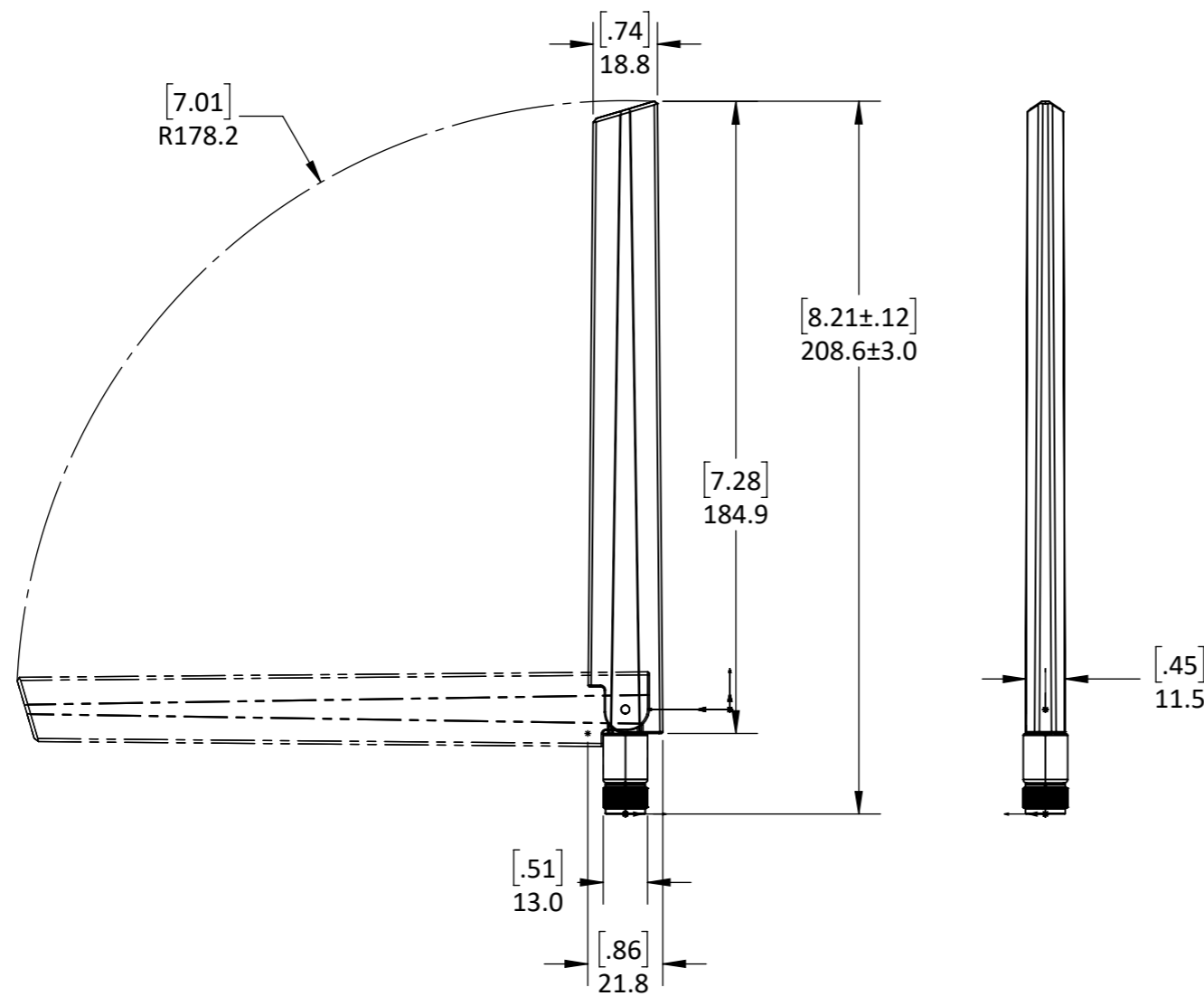


REVISIONS

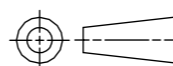
REV	DESCRIPTION	DATE	DWN	APVD
A	PRODUCTION RELEASE	12/12/2023	JH	CM



- DIMENSIONS APPLY AFTER FINISHING.
- MANUFACTURE TO BE COMPLIANT WITH EU RoHS DIRECTIVE, USE MATERIALS THAT DO NOT CONTAIN REACH SUBSTANCES OF VERY HIGH CONCERN >1000ppm, AND USE DRC CONFLICT-FREE SOURCED MATERIALS.
- ELECTRICAL SPECIFICATIONS ARE LISTED FOR REFERENCE ONLY. SEE DATA SHEET FOR ELECTRICAL PROPERTIES.
 - IMPEDANCE: 50Ω
 - TYPE: LINEAR OMNIDIRECTIONAL
 - 1/2 WAVE DIPOLE
 - FREQUENCY: CBRS BAND: 3.55-3.7GHz
 - ≤2.0 TYP VSWR
 - GAIN: 4.5dBi
- MECHANICAL:
 - SMA TYPE INTERFACE IAW [MIL-STD-348B]
 - PRODUCT QUALIFIED IAW 108-161079 AT LATEST REVISION
 - OPERATING TEMPERATURE: -20°C +65°C
 - STORAGE TEMPERATURE: -30°C - +70°C
- PACK ANTENNAS INDIVIDUALLY FOR SHIPMENT 300PC / CARTON 290 X 230 X 325

THIS DRAWING IS A CONTROLLED DOCUMENT.

DIMENSIONS: mm



MATERIAL ABS BLACK

TOLERANCES UNLESS OTHERWISE SPECIFIED:

0 PLC	± 3
1 PLC	± 2.0
2 PLC	± 0.50
3 PLC	±
4 PLC	±
ANGLES	± 30'

FINISH

DWN 12/12/23

JHAGER

CHK 12/12/23

CLEWIS

APVD 12/12/23

CMURPHY

PRODUCT SPEC

108-161079

APPLICATION SPEC

WEIGHT

25.2 g

CUSTOMER DRAWING



TE Connectivity

NAME **ANTENNA CBRS BAND BLADE**
DIPOLE 3300-3800MHz

SIZE	CAGE CODE	DRAWING NO	RESTRICTED TO
------	-----------	------------	---------------

A3	00779	ANT-5GMWS1-SMA	-
-----------	-------	----------------	---

SCALE	SHEET	REV
1:2	1 OF 1	