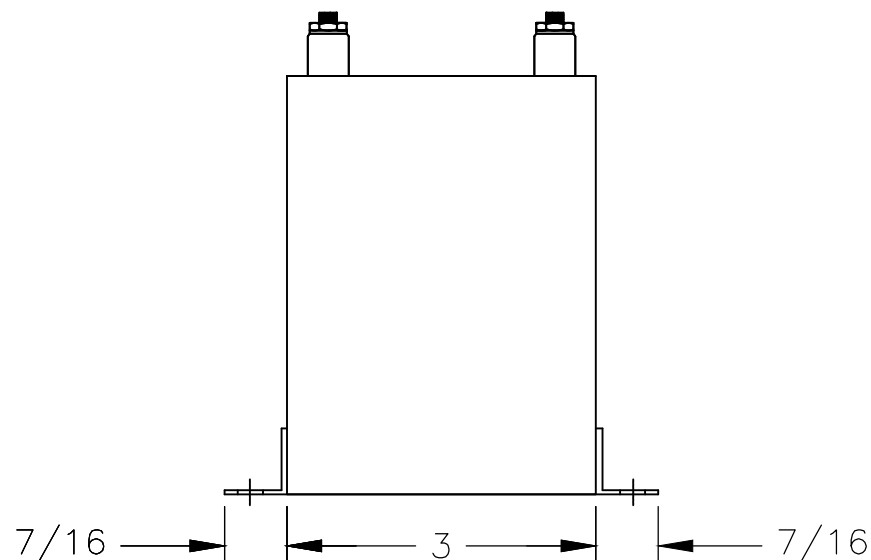
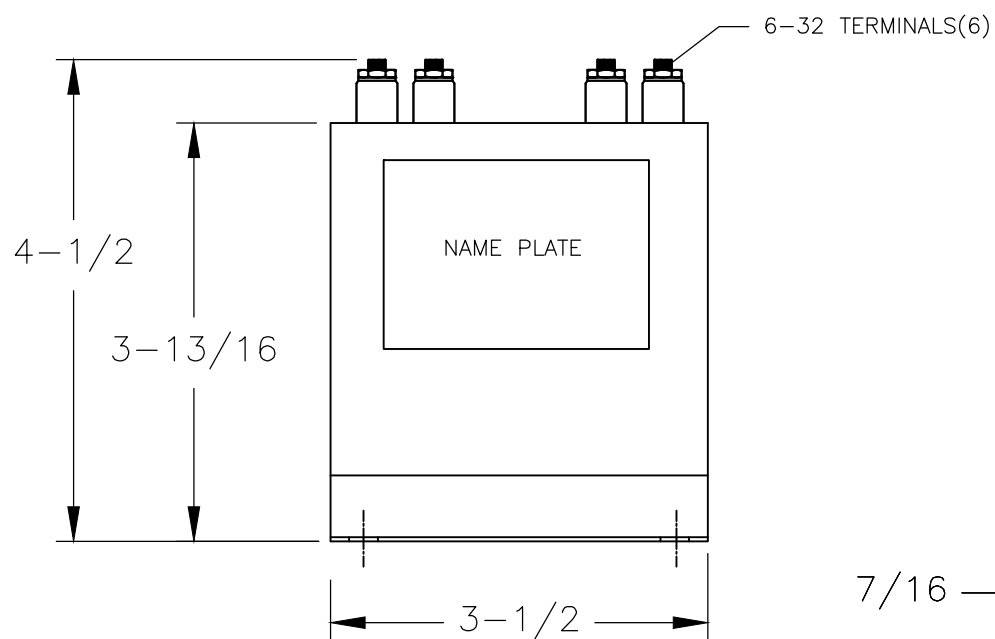
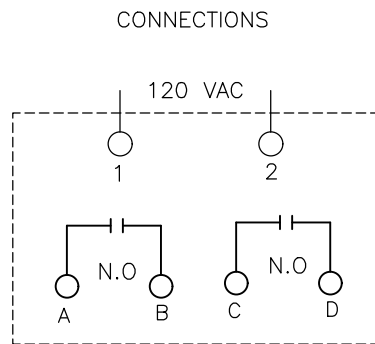
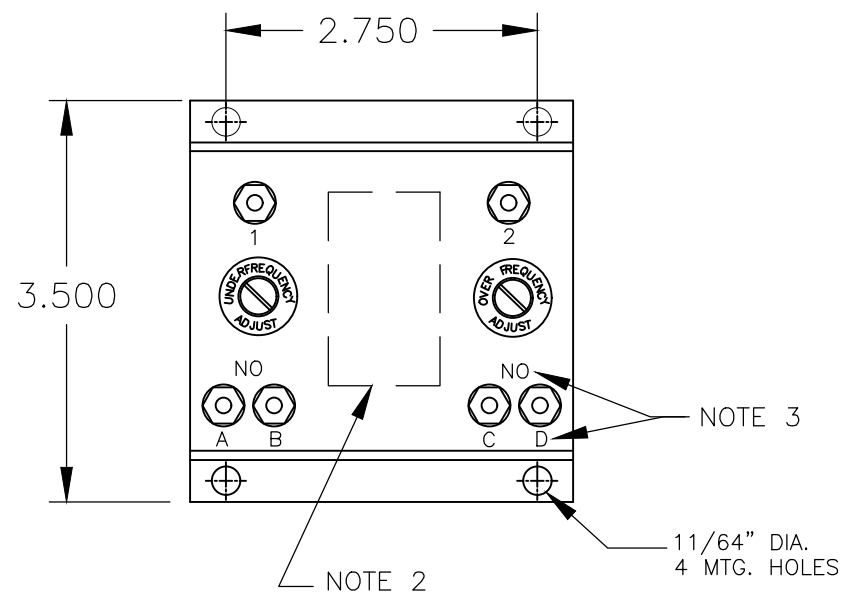


THIS DRAWING IS UNPUBLISHED. RELEASED FOR PUBLICATION
 © COPYRIGHT - TE Connectivity Ltd. ALL RIGHTS RESERVED.

REVISIONS					
P	LTR	DESCRIPTION	DATE	DWN	APVD
	A	INITIAL DRAWING	10SEP2019	VM	TN



- NOTES:
- THE FREQUENCY TRIP POINTS ARE FACTORY SET AS FOLLOWS:
 UNDERFREQUENCY : 56.0 ± 0.6 Hz.
 OVERFREQUENCY : 65.6 ± 0.6 Hz.
 - EMD # 9333491, DATE AND SERIAL NO. TO BE STAMPED ON FACE OF RELAY.
 - STAMP LETTERS NO, NO, A, B, C AND D IN LOCATIONS SHOWN.
 - REMOVE SCREWS FOR ACCESS TO THE ADJUSTMENTS, CLOCLWISE ROTATION OF THE ADJUSTMENT, POTENTIOMETER WILL RAISE THE TRIP POINT.
 - CONTACTS RESISTANCE IS FACTORY TESTED NOT TO EXCEED 100mΩ AT 100mA AND 28 VDC.

SPECIFICATIONS

- INPUT VOLTAGE : 120 VAC ± 10%
 NOMINAL FREQUENCY : 60 Hz.
- TRIP POINT RANGE :
 UNDERFREQUENCY : SCREWDRIVER ADJUSTABLE, 50-60 Hz.
 OVERFREQUENCY : SCREWDRIVER ADJUSTABLE, 60-70 Hz.
- DIFFERENTIAL : THE FREQUENCY PICK-UP TO DROP-OUT DIFFERENTIAL AT THE TRIP POINT, IS 1% MAXIMUM.
- OPERATING AMBIENT : -20°C TO +85°C
 OPERATING AMBIENT TEMPERATURE : -20°C TO +85°C
- TEMPERATURE DRIFT : ±1% MAXIMUM FREQUENCY ERROR OVER THE TEMPERATURE RANGE.
- VOLTAGE DRIFT : ±1% MAXIMUM FREQUENCY ERROR FOR INPUT VOLTAGE OF 120 VAC ±10%
- OUTPUT CONTACTS : TWO SETS NORMALLY OPEN.
 CONTACT RATING : 5 AMP RESISTIVE AT 120VAC OR 28VDC
- OPERATION : THE CONTACT ENERGIZE (CLOSE) AT NOMINAL FREQUENCY. THE CONTACTS DE-ENERGIZE (OPEN) AT UNDERFREQUENCY AND OVERFREQUENCY.

CONSTRUCTION : SOLID STATE SENSOR WITH RELAY OUTPUT ENCLOSED IN A SEALED STEEL CAN .

ALL DIMENSIONS ARE IN INCHES.

THIS DRAWING IS A CONTROLLED DOCUMENT.		DWN VM 10SEP2019	TE Connectivity			
DIMENSIONS: INCHES		CHK RV 10SEP2019				
TOLERANCES UNLESS OTHERWISE SPECIFIED:		APVD TN 10SEP2019	NAME 25-060-4X OVER/UNDERFREQUENCY RELAY			
		PRODUCT SPEC	-			
MATERIAL		APPLICATION SPEC	-			
FINISH		WEIGHT	SIZE A3	CAGE CODE	DRAWING NO C-25-060-4X-SERIES	RESTRICTED TO
		CUSTOMER DRAWING	SCALE NTS	SHEET 1 OF 1	REV A	