

THIS DRAWING IS UNPUBLISHED.

RELEASED FOR PUBLICATION

© COPYRIGHT - TE Connectivity Ltd.

ALL RIGHTS RESERVED.

REVISIONS

P	LTR	DESCRIPTION	DATE	DWN	APVD
	A	INITIAL DRAWN	10DEC2019	RV	TN

Ordering Information

Sample Part Number ▶

25 -050 X

Type: 25 - Over/Underfrequency

Frequency Range

	Under	Over
050 =	40-50 Hz	50-60 Hz
060 =	50- 60 Hz	60-70Hz
400 =	350- 400 Hz	400-450Hz

Mounting Options

X = Flange
blank = Stud

Product Specifications

Input Voltage (±10%) — 120 VAC

Frequency Range (adjustable) — See Ordering Information

Trip Points — Screwdriver adjustable

Temperature Range — -20°C to +85°C

Temperature Drift — ± 1% frequency error over temperature range

Voltage Drift — ± 1% frequency error input voltage variation of ± 10%

Contact Ratings — 5 Amp resistive at 120 VAC or 28VDC

Output Contacts — One set N.O., One set N.C.

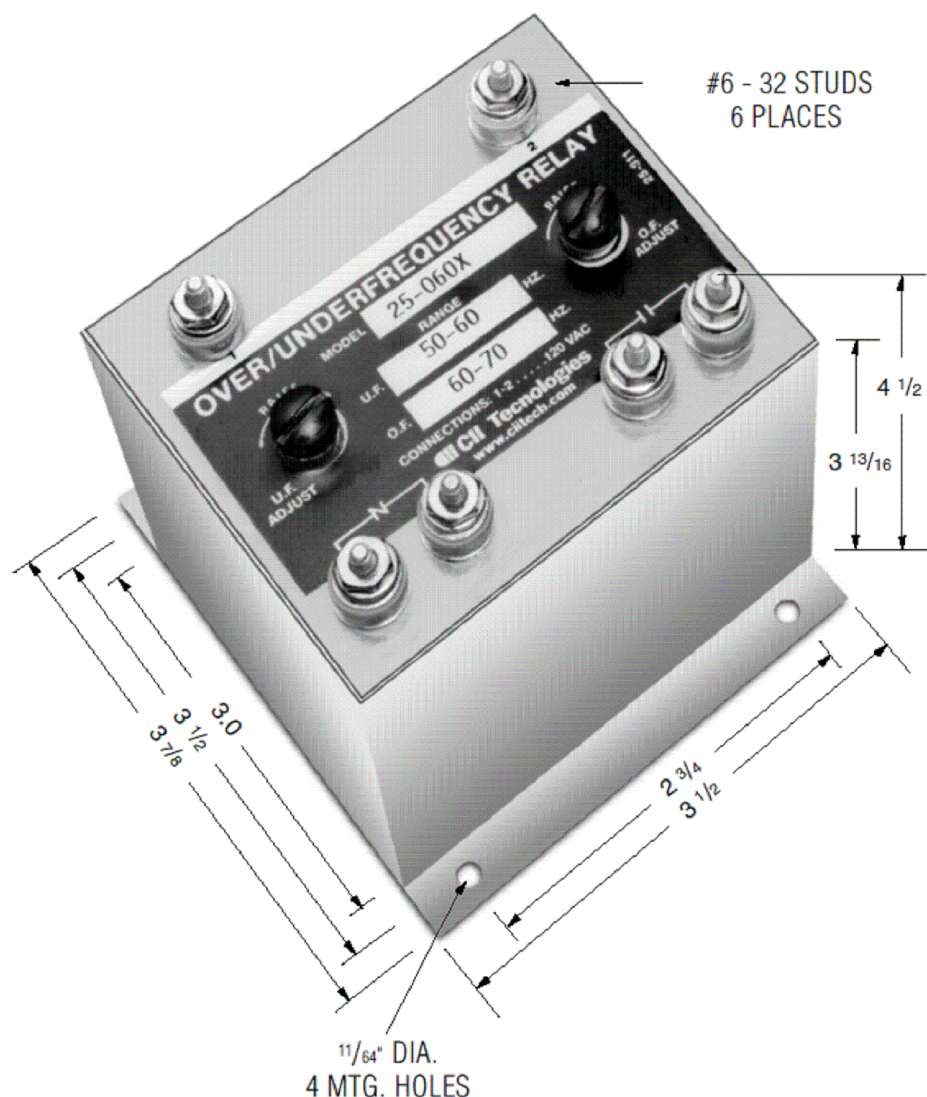
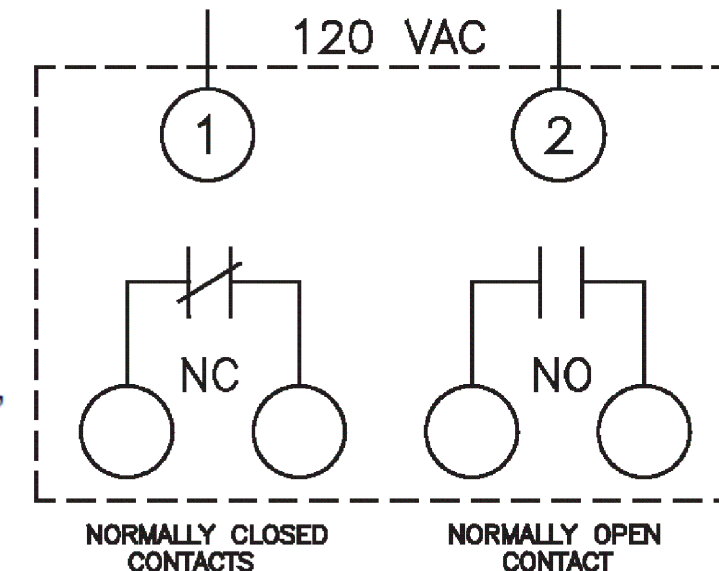
Notes:

1. The contacts are shown in the de-energized position.
2. Remove screws for access to the underfrequency and overfrequency trip adjustments.
3. Clockwise rotation of the adjustment potentiometer will raise the frequency trip points.

The output contacts of frequency relays are energized when the frequency exceeds the adjustable set point. Overfrequency and underfrequency relays are available in 50, 60 and 400Hz. Combination over/underfrequency "band pass" relays are also available. These are energized at rated frequency and de-energized during overfrequency or underfrequency conditions. Frequency Differential relays are energized above the preset frequency. The pick-up and drop-out frequency settings are independently adjustable.

Operation

The normally open contacts close, and the normally closed contacts open, at nominal frequency. The contacts are de-energize at underfrequency, overfrequency or no input voltage.



#6 - 32 STUDS
6 PLACES

Note: Dimensions in inches. Multiply values by 25.4 for dimensions in mm.

THIS DRAWING IS A CONTROLLED DOCUMENT.		DWN RV 10DEC2019	TE Connectivity														
DIMENSIONS: INCHES		CHK RV 10DEC2019				NAME 25-000 SERIES											
TOLERANCES UNLESS OTHERWISE SPECIFIED:		APVD TN 10DEC2019	PRODUCT SPEC -														
<table border="1"> <tr><td>0 PLC</td><td>± -</td></tr> <tr><td>1 PLC</td><td>± -</td></tr> <tr><td>2 PLC</td><td>± -</td></tr> <tr><td>3 PLC</td><td>± -</td></tr> <tr><td>4 PLC</td><td>± -</td></tr> <tr><td>ANGLES</td><td>± -</td></tr> </table>		0 PLC	± -	1 PLC	± -	2 PLC	± -	3 PLC	± -	4 PLC	± -	ANGLES	± -	APPLICATION SPEC -	RESTRICTED TO -		
0 PLC	± -																
1 PLC	± -																
2 PLC	± -																
3 PLC	± -																
4 PLC	± -																
ANGLES	± -																
MATERIAL -		WEIGHT -	SIZE A3	CAGE CODE -	DRAWING NO C-25-000-SERIES												
FINISH -		CUSTOMER DRAWING		SCALE NTS	SHEET 1 OF 1												