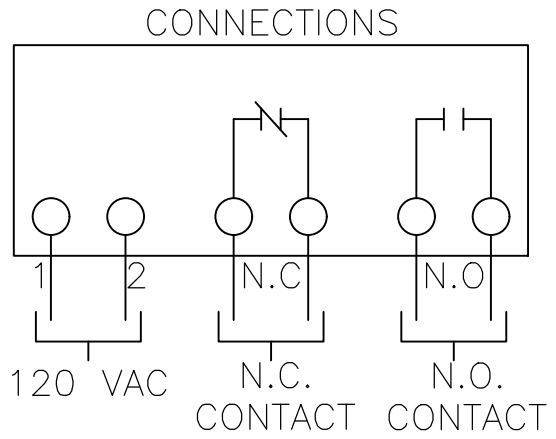
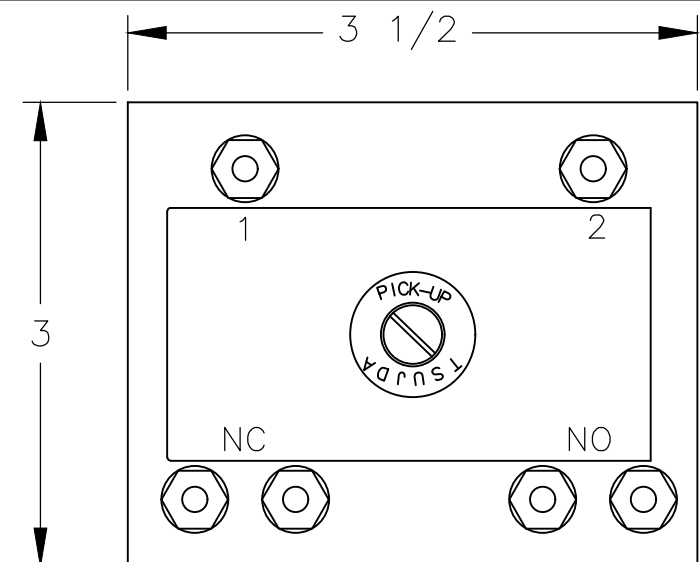


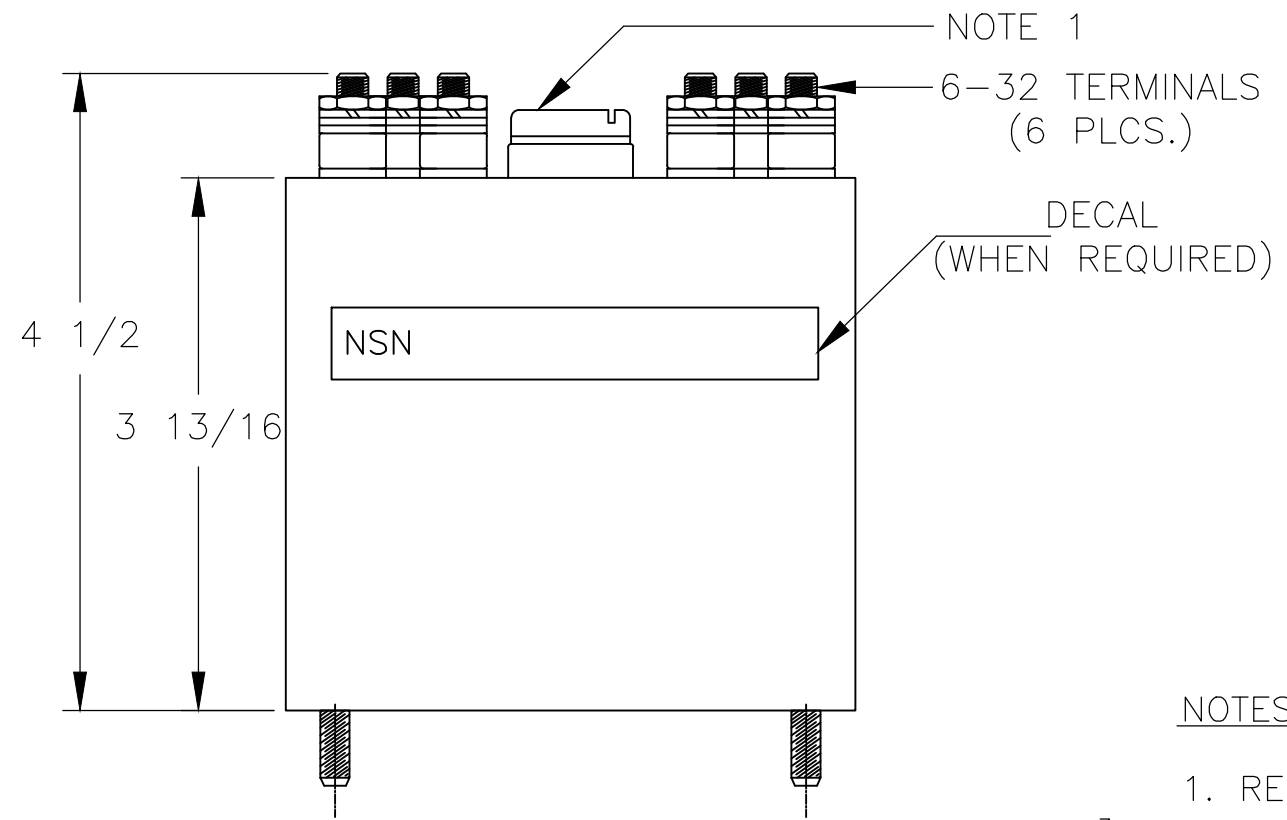
THIS DRAWING IS UNPUBLISHED. RELEASED FOR PUBLICATION
 © COPYRIGHT - TE Connectivity Ltd. ALL RIGHTS RESERVED.

REVISIONS					
P	LTR	DESCRIPTION	DATE	DWN	APVD
	A	INITIAL DRAWING	30AUG2019	VM	TN



SPECIFICATIONS

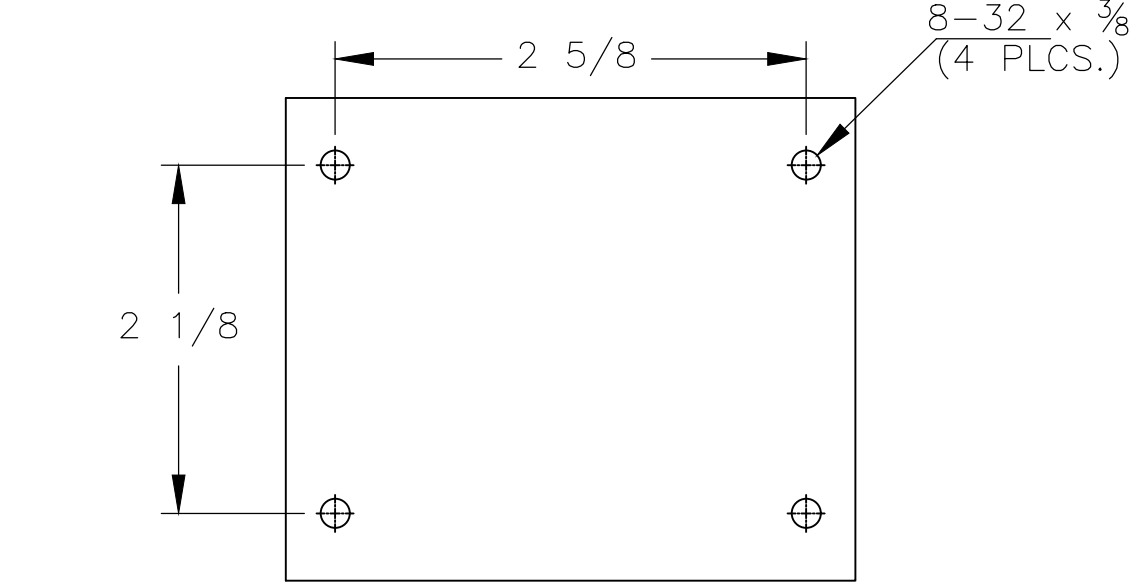
- INPUT VOLTAGE : 120 VAC ±10%, SINGLE PHASE
- FREQUENCY RANGE : SEE TABLE BELOW
- DIFFERENTIAL : FREQUENCY PICK-UP TO DROUP-OUT DIFFERENTIAL 1% MAXIMUM
- TEMPERATURE RANGE : -40°C TO +85°C
- TEMPERATURE DRAFT : ±1% FREQ. ERROR OVER TEMP. RANGE
- VOLTAGE ERROR : ±1% FOR INPUT VOLTAGE OF 120VAC±10%
- CONTACT RATINGS : 5 AMP. RESISTIVE AT 28VDC OR 120VAC
- CONTACT : ONE SET N.O.
: ONE SET N.C.
- CONSTRUCTION : SOLID STATE SENSOR WITH RELAY OUTPUT, IN A SEALED STEEL CAN.
- COPERATION : THE NORMALLY OPEN CONTACTS CLOSE, AND THE NORMALLY CLOSE CONTACTS OPEN, AT ALL FREQUENCIES ABOVE THE SET POINT. THE CONTACTS IN THE CONNECTION DIAGRAM, ARE SHOWN IN THE DE-ENERGIZED POSITION, (BELOW THE TRIP SET POINT).



NOTES:

- 1. REMOVE SCREW FOR ACCESS TO TRIP ADJUSTMENT.

MODEL	ADJUSTABLE FREQUENCY TRIP RANGE
20-040	40-50 Hz.
20-050	50-60 Hz.
20-060	60-70 Hz.
20-350	350-400 Hz.
20-400	400-450 Hz.



THIS DRAWING IS A CONTROLLED DOCUMENT.		DWN VM 30AUG2019	STE TE Connectivity		
DIMENSIONS: INCHES		CHK RV 30AUG2019			
TOLERANCES UNLESS OTHERWISE SPECIFIED:		APVD TN 30AUG2019	PRODUCT SPEC -		
0 PLC ± -		APPLICATION SPEC -			
1 PLC ± -		SIZE A3		CAGE CODE -	DRAWING NO C-20-000-SERIES
2 PLC ± -		WEIGHT -		RESTRICTED TO -	
3 PLC ± -		CUSTOMER DRAWING			
4 PLC ± -		SCALE NTS		SHEET 1 OF 1	
ANGLES ± -		REV A			
FINISH -					