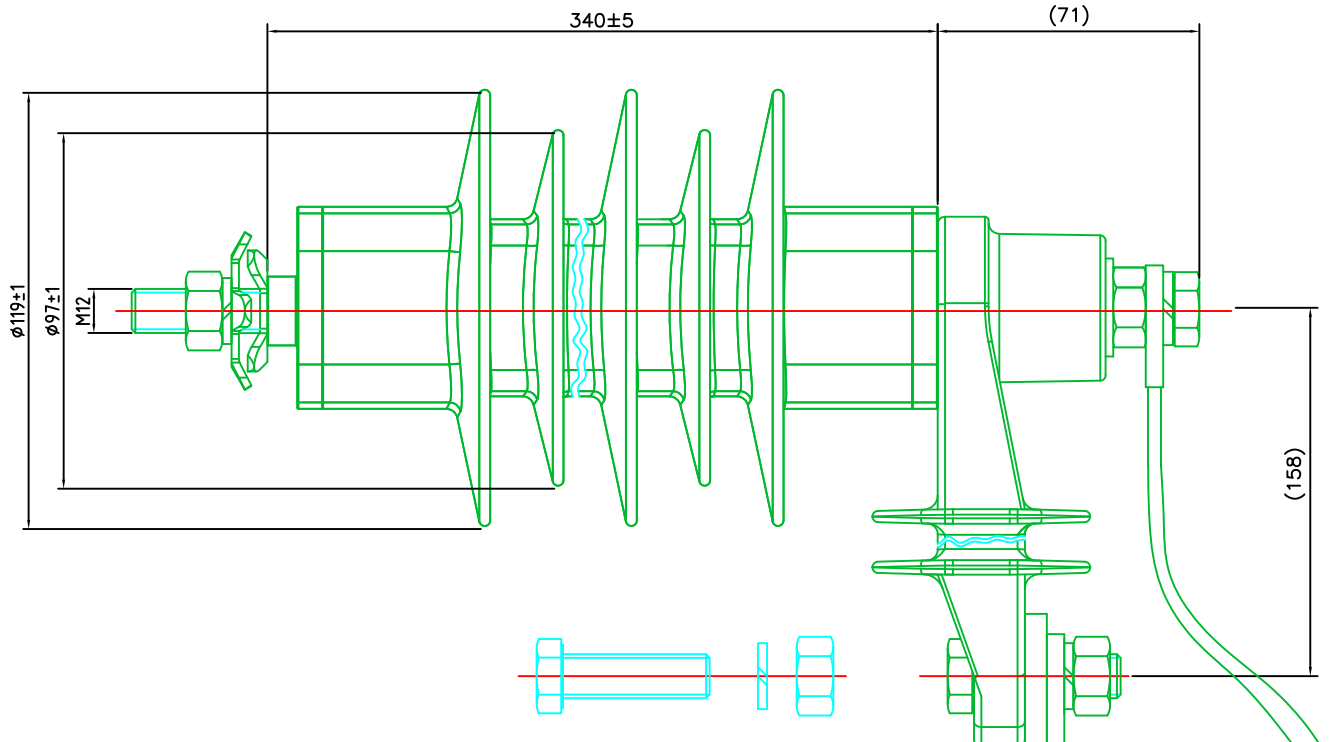
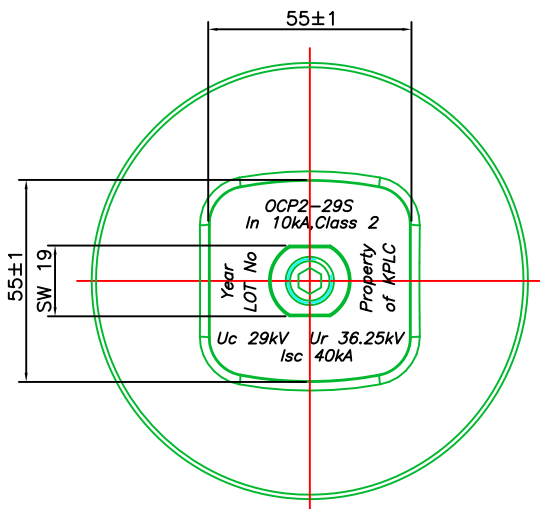


LOC		DIST		REVISIONS			
P	LYR	DESCRIPTION	DATE	DM	APD		
A		ORIGINAL ISSUE	01/16	JM	--		



M12 SET SCREW & SPRING WASHER

FLEXIBLE COPPER BRAID  
300mm LONG with 2 LUGS



No SHEDS	CREEPAGE LENGTH	FLASHOVER DISTANCE
13	907	334

NOTE	
HOUSING PRINT	Bowthorpe MO Arrester Isc 40kA In 10kA 50/60 Hz IEC 60099-4

REFER TO TECHNICAL DATASHEETS FOR ALL OTHER PRODUCT DETAILS

THIS DRAWING IS A CONTROLLED DOCUMENT.

DM	J. MULLIGAN	19/01/2016		TE Connectivity
CHK	R. ULBRYCH	01/16		
APD	P. FITZGERALD	01/16	NAME	
PRODUCT SPEC			EH7121-000	
APPLICATION SPEC			-	
MATERIAL			SIZE	CAGE CODE
ALL FITTINGS M12, A2 SS			A2	00779
FINISH			DRAWING NO	
-			C=BOW-OC2-29S-BEM-222	
RESTRICTED TO			SCALE	SHEET
CUSTOMER DRAWING			1:1	1 of 1