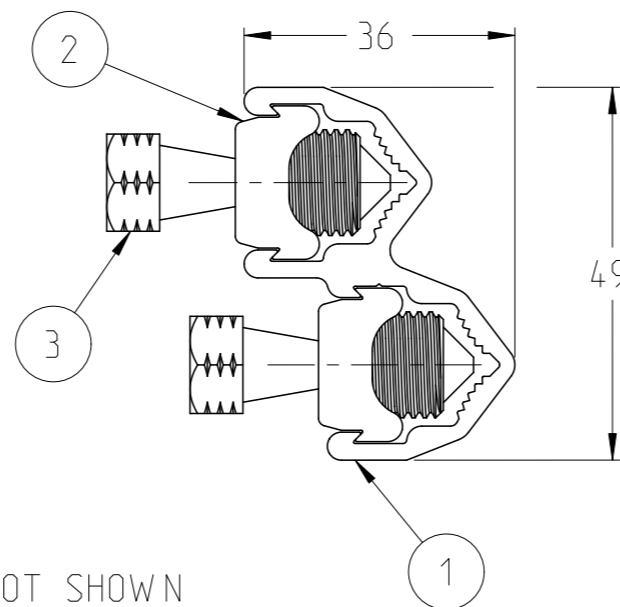
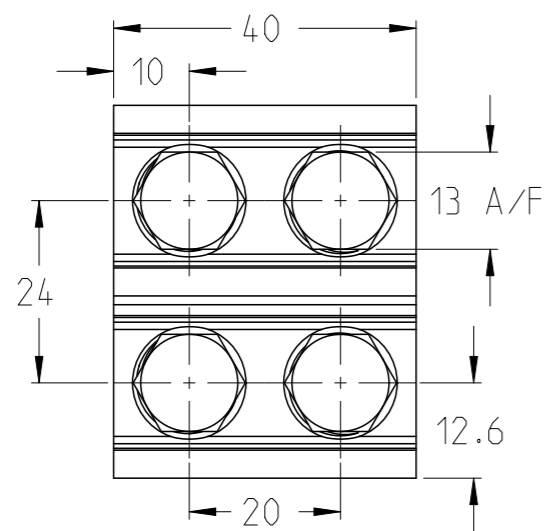
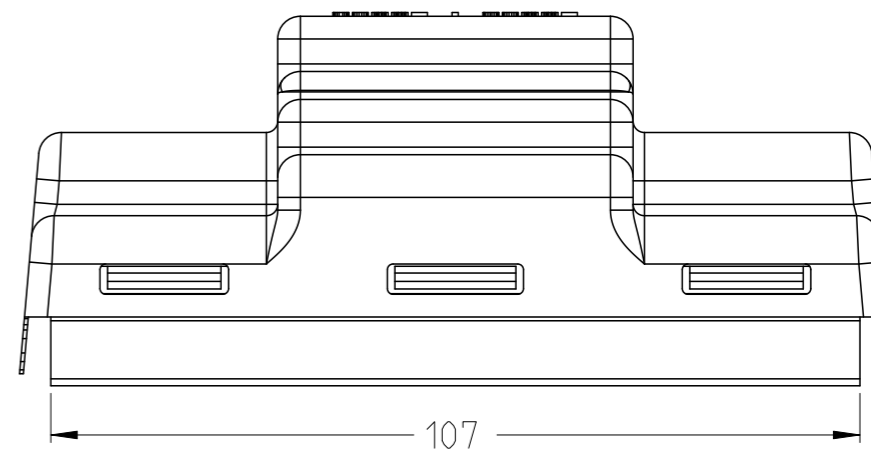
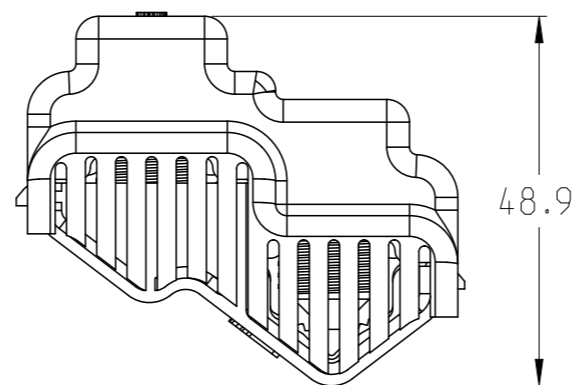
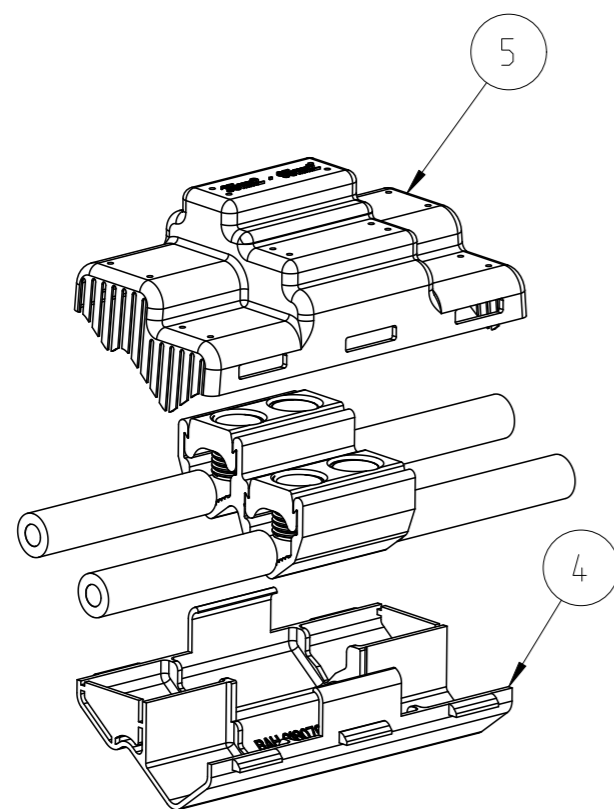
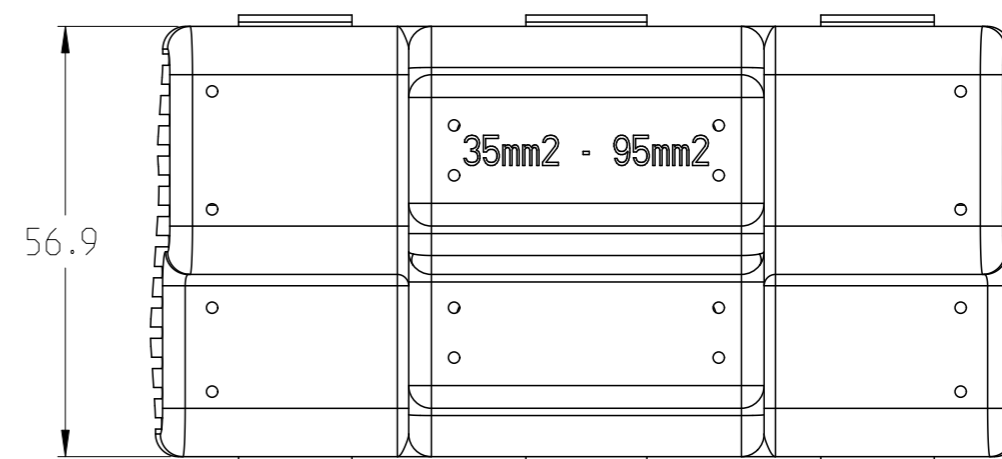


P	LTR	DESCRIPTION	DATE	DWN	APVD
	A	INITIAL RELEASE	15MAR2021	VG	NA



SHROUDS NOT SHOWN



TCPN	DESCRIPTION	REFERENCE	CONDUCTOR SIZE (mm <sup>2</sup> )	SOCKET/SPANNER A/F (mm)
EB9138-000	BAH-033000068	UBR095INS	35-95	13

ITEM	QTY	PART NUMBER	DESCRIPTION
5	1	EB6949-000	UBR095 UPPER INSULATION SHROUD
4	1	EB6950-000	UBR095 LOWER INSULATION SHROUD
3	2	EE3571-000	M14x1.5 13 A/F 37.5 LONG ALUMINIUM SINGLE-SHEAR BOLT KIT
2	2	354888-000	UNIVERSAL 95mm <sup>2</sup> TOP INSERT (2 BOLT)
1	1	817832-000	UNIVERSAL 95mm <sup>2</sup> BRANCH BOTTOM INSERT (4 BOLT)

THIS DRAWING IS A CONTROLLED DOCUMENT.

DIMENSIONS:	TOLERANCES UNLESS OTHERWISE SPECIFIED:
mm	
	0 PLC ±
	1 PLC ±
	2 PLC ±
	3 PLC ±
	4 PLC ±
	ANGLES ±
MATERIAL	FINISH
-	-

DWN	15MAR2021
VENKATESH G	
CHK	15MAR2021
L. JONATHAN	
APVD	15MAR2021
N. ALMEIDA	
PRODUCT SPEC	
APPLICATION SPEC	
WEIGHT	-
CUSTOMER DRAWING	



NAME			
UNIVERSAL BRANCH JOINT CONNECTORS WITH MOULDED INSULATION SHROUDS BAH-033000068			
SIZE	CAGE CODE	DRAWING NO	RESTRICTED TO
A3	00779	BAH-033000068	-
SCALE		SHEET	REV
1:1		1 OF 1	A