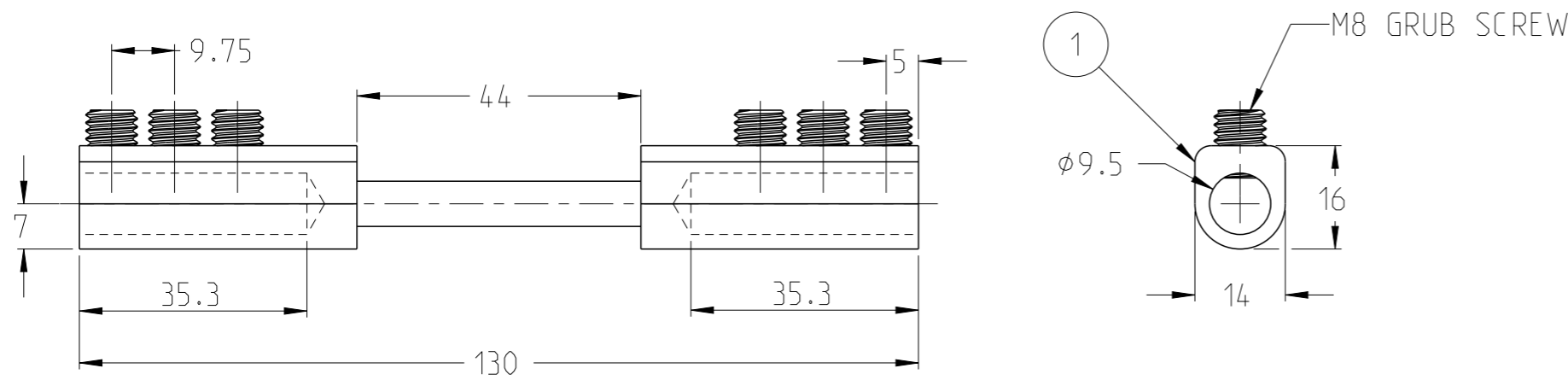
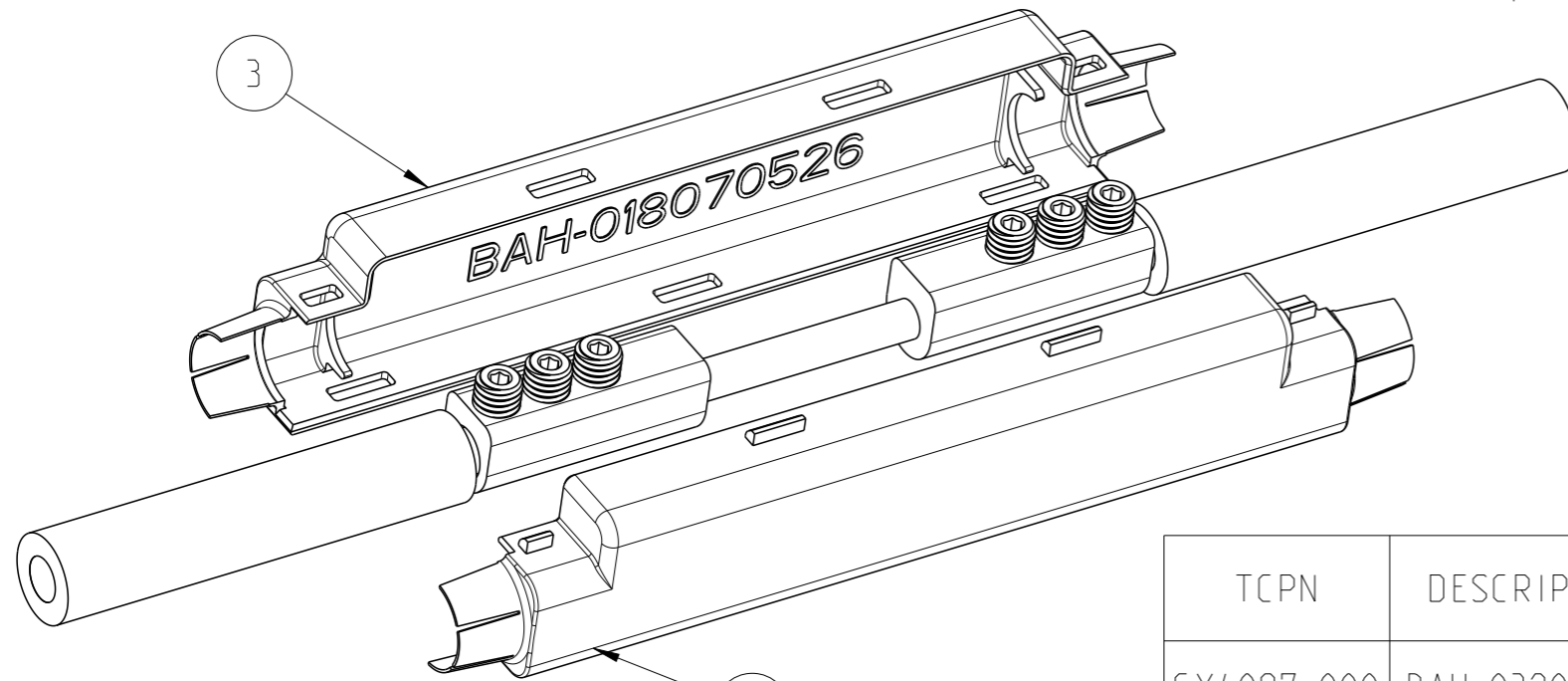
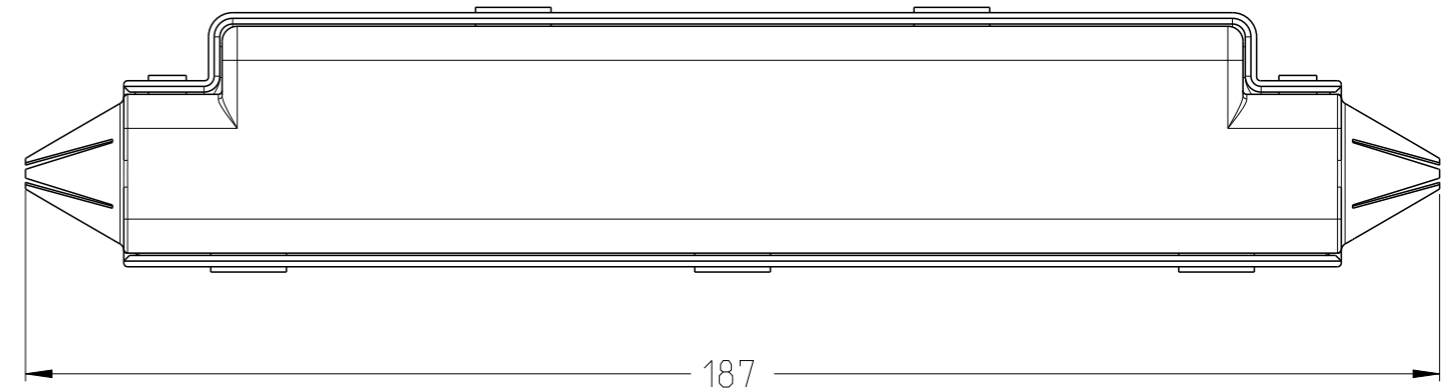
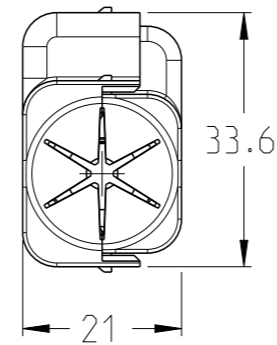


P	LTR	DESCRIPTION	DATE	DWN	APVD
	A	INITIAL RELEASE	15MAR2021	VG	NA



SHROUDS NOT SHOWN



TCPN	DESCRIPTION	REFERENCE	NOMINAL BORE Ø	CONDUCTOR SIZE (mm ²)		STD GRUB SCREW SIZE
				STD CU OR AL	SOLID AL	
CX4097-000	BAH-032040068	BTC5130TW INS (130 mm LONG)	9.5	4-50	10-50	M8

THIS DRAWING IS A CONTROLLED DOCUMENT.

DWN 15MAR2021
VENKATESH G
CHK 15MAR2021
L. JONATHAN
APVD 15MAR2021
N. ALMEIDA
PRODUCT SPEC



NAME
BRASS TUNNEL CONNECTORS WITH MOULDED INSULATION SHROUDS
BAH-032040068

ITEM	QTY	PART NUMBER	DESCRIPTION
3	1	CH7589-000	BTC6130W INSULATION SHROUD - OUTER
2	1	CH7590-000	BTC6130W INSULATION SHROUD - INNER
1	1	754310-000	BRASS TUNNEL CONNECTOR - 'D' SECTION 14.0 W x 16.0 H x 130.0 LONG WITH Ø9.5 BLOCKED PLAIN BORE & TURNED CENTRE SECTION

DIMENSIONS:	TOLERANCES UNLESS OTHERWISE SPECIFIED:
mm	
	0 PLC ±
	1 PLC ±
	2 PLC ±
	3 PLC ±
	4 PLC ±
	ANGLES ±
MATERIAL	FINISH
-	-

APPLICATION SPEC	SIZE	CAGE CODE	DRAWING NO	RESTRICTED TO
-	A3	00779	BAH-032040068	-
WEIGHT	SCALE 1:1			SHEET 1 OF 1
CUSTOMER DRAWING	REV A			