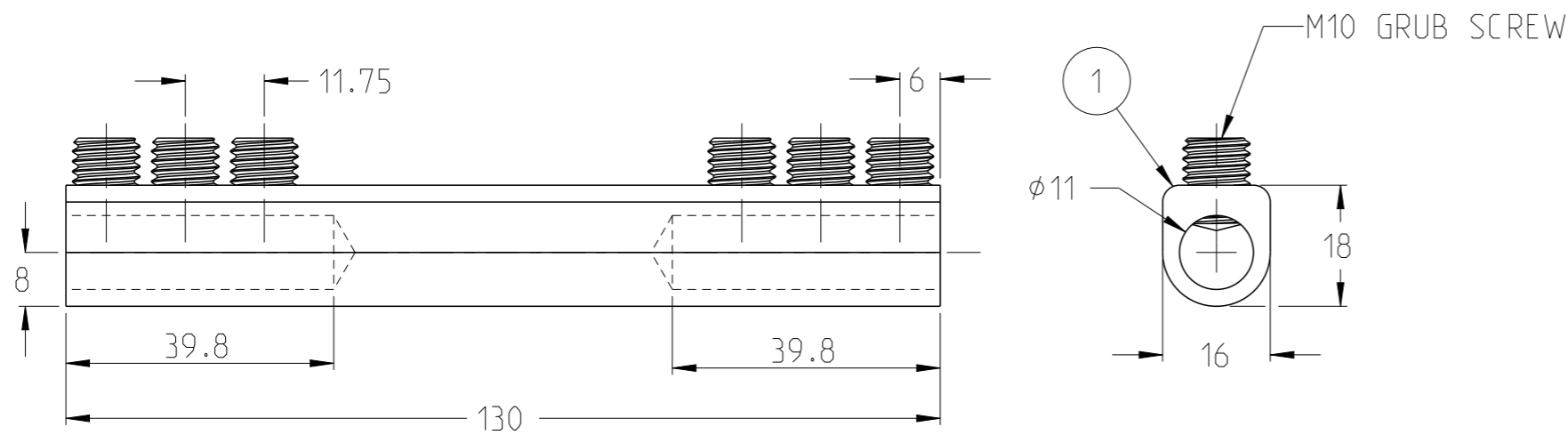
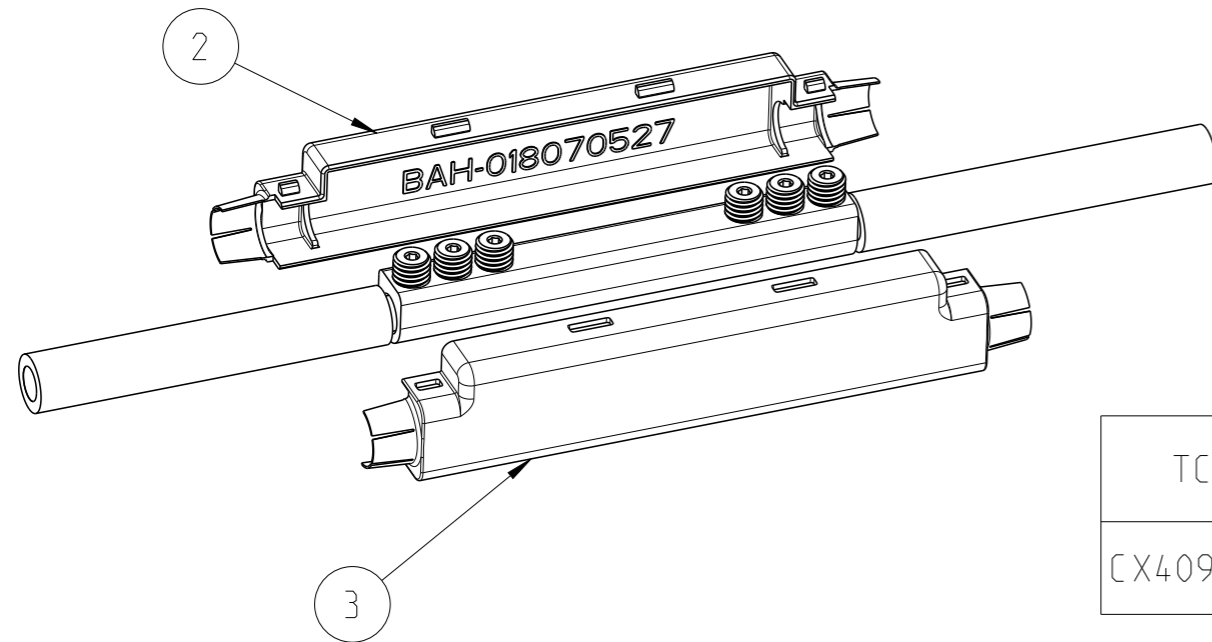
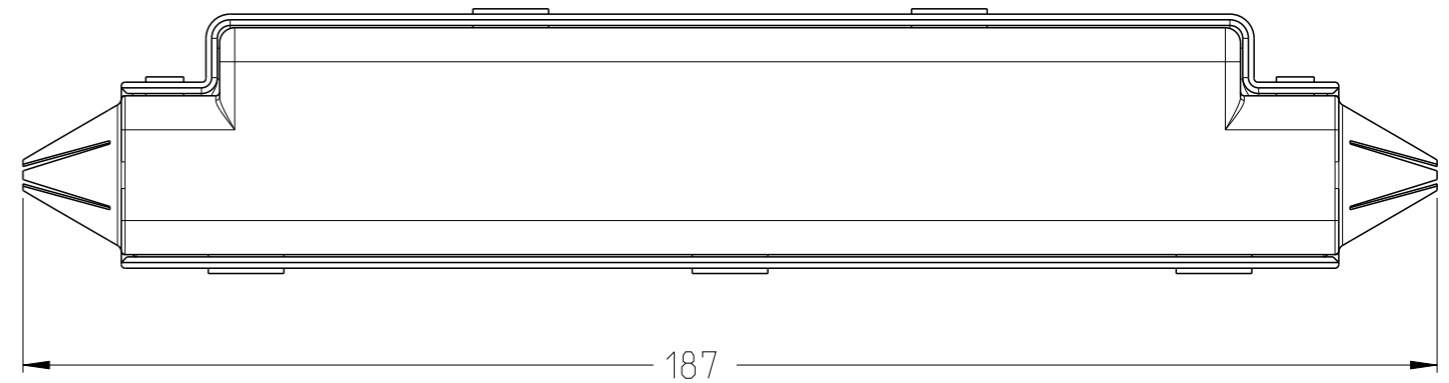
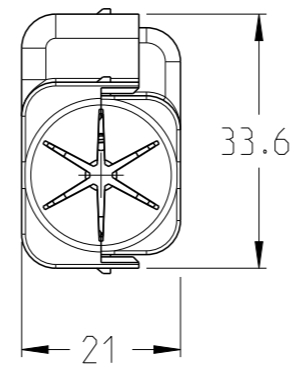


P	LTR	DESCRIPTION	DATE	DWN	APVD
	A	INITIAL RELEASE	15MAR2021	VG	NA



SHROUDS NOT SHOWN



TCPN	DESCRIPTION	REFERENCE	NOMINAL BORE Ø	CONDUCTOR SIZE (mm <sup>2</sup> )		STD GRUB SCREW SIZE
				STD CU OR AL	SOLID AL	
CX4096-000	BAH-032040067	BTC6130W INS (130 mm LONG)	11	4-60	10-70	M10

THIS DRAWING IS A CONTROLLED DOCUMENT.

DWN 15MAR2021  
VENKATESH G  
CHK 15MAR2021  
L. JONATHAN  
APVD 15MAR2021  
N. ALMEIDA  
PRODUCT SPEC



NAME  
BRASS TUNNEL CONNECTORS WITH MOULDED INSULATION SHROUDS  
BAH-032040067

ITEM	QTY	PART NUMBER	DESCRIPTION
3	1	CH7589-000	BTC6130W INSULATION SHROUD - OUTER
2	1	CH7590-000	BTC6130W INSULATION SHROUD - INNER
1	1	643504-000	BRASS TUNNEL CONNECTOR - 'D' SECTION 16.0 W x 18.0 H x 130.0 LONG WITH Ø11.0 BLOCKED PLAIN BORE

DIMENSIONS:		TOLERANCES UNLESS OTHERWISE SPECIFIED:	
mm			
	0 PLC	±	
	1 PLC	±	
	2 PLC	±	
	3 PLC	±	
	4 PLC	±	
	ANGLES	±	
MATERIAL		FINISH	

APPLICATION SPEC	SIZE	CAGE CODE	DRAWING NO	RESTRICTED TO
-	A3	00779	BAH-032040067	-
WEIGHT	SCALE		SHEET	REV
-	1:1		1 OF 1	A