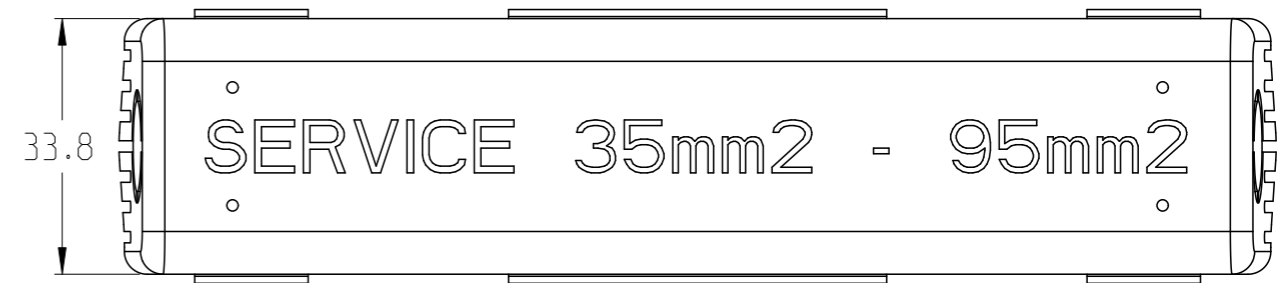
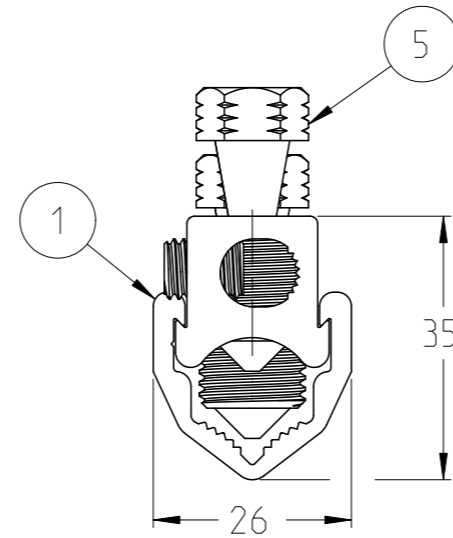
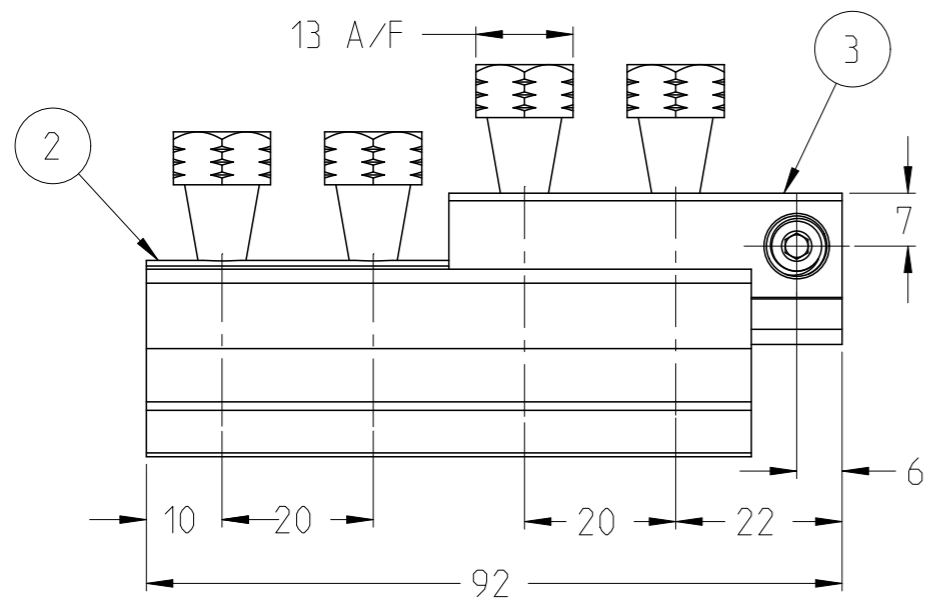
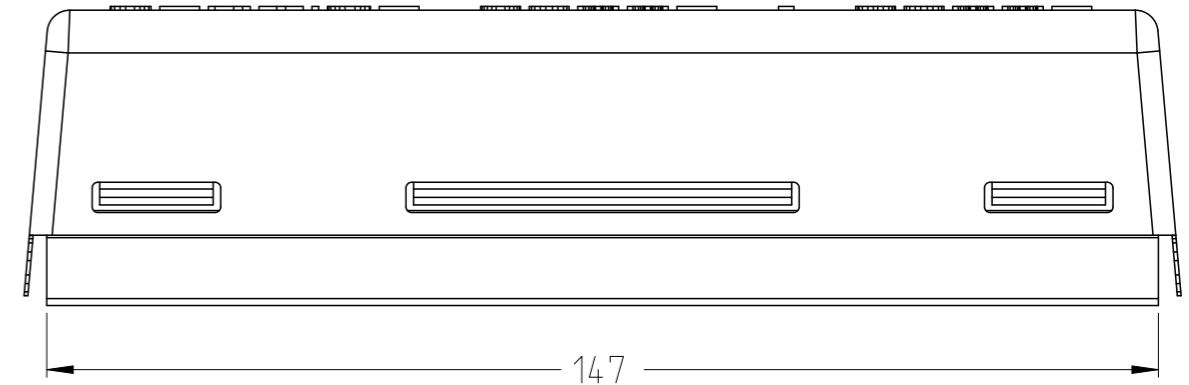
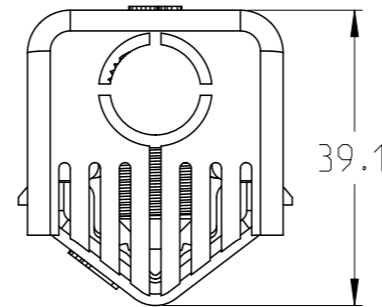
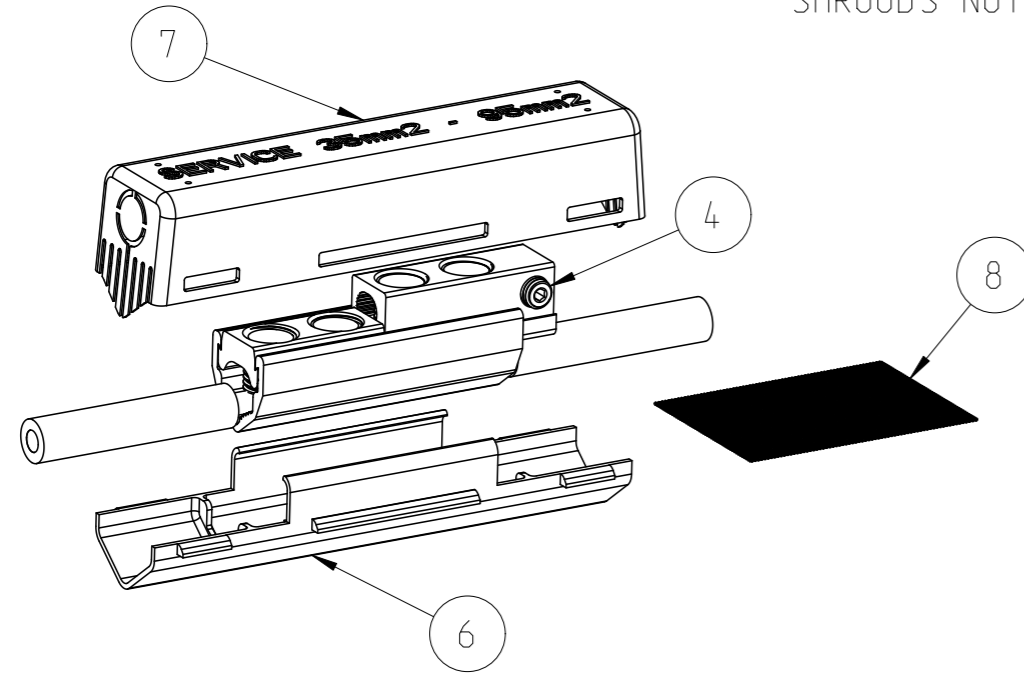


P	LTR	DESCRIPTION	DATE	DWN	APVD
	A	INITIAL RELEASE	23MAR2021	VG	NA



SHROUDS NOT SHOWN



ITEM	QTY	PART NUMBER	DESCRIPTION
8	1	103258-000	MESH
7	1	CP1540-000	UST095 SERVICE UPPER INSULATION SHROUD
6	1	EB6944-000	UST095 LOWER INSULATION SHROUD
5	2	EE3571-000	M14x1.5 13 A/F 37.5 LONG ALUMINIUM SINGLE-SHEAR FLAT TIP BOLT KIT
4	1	444628-000	M8x1.25 3A/F 10.5 LONG BRASS GRUBSCREW
3	1	704976-000	UNIVERSAL 95mm <sup>2</sup> SINGLE SERVICE TAKE-OFF TOP INSERT (2 BOLT)
2	1	354888-000	UNIVERSAL 95mm <sup>2</sup> TOP INSERT (2 BOLT)
1	1	019524-000	UNIVERSAL 95mm <sup>2</sup> STRAIGHT BOTTOM INSERT (4 BOLT)

TCPN	DESCRIPTION	REFERENCE	CONDUCTOR SIZE (mm <sup>2</sup> )	SOCKET/SPANNER A/F (mm)
EB9135-000	BAH-032020082	UST095SBS-G/INS	35-95	13

THIS DRAWING IS A CONTROLLED DOCUMENT.

DWN: VENKATESH G, 23MAR2021  
 CHK: L. JONATHAN, 23MAR2021  
 APVD: N. ALMEIDA, 23MAR2021

**STE** TE Connectivity

NAME: UNIVERSAL STRAIGHT JOINT CONNECTORS WITH SERVICE CONNECTIONS AND MOULDED INSULATION SHROUDS BAH-032020082

PRODUCT SPEC: -  
 APPLICATION SPEC: -  
 WEIGHT: -

SIZE: A3, CAGE CODE: 00779, DRAWING NO: BAH-032020082, RESTRICTED TO: -

CUSTOMER DRAWING, SCALE: 1:1, SHEET: 1 OF 1, REV: A