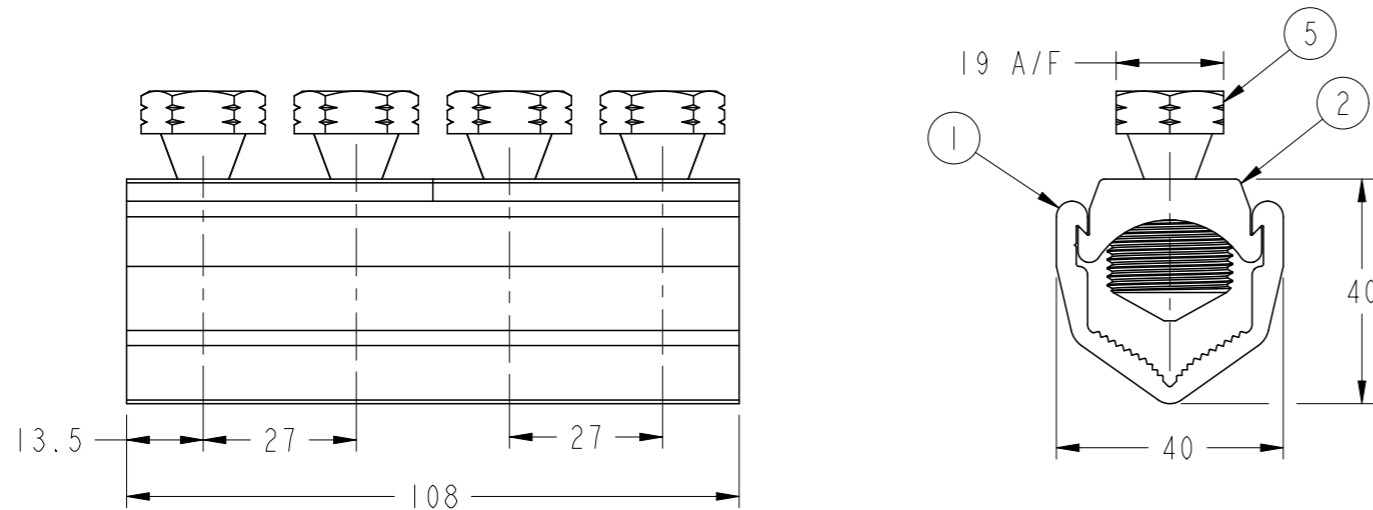
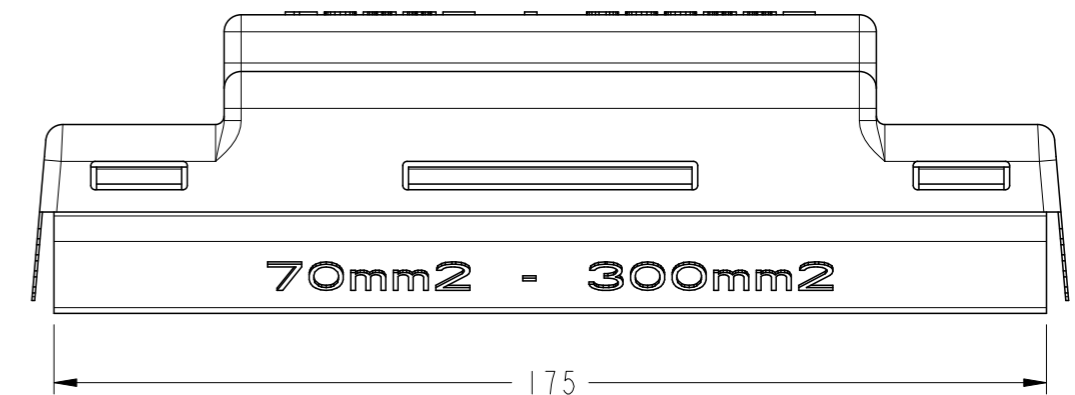
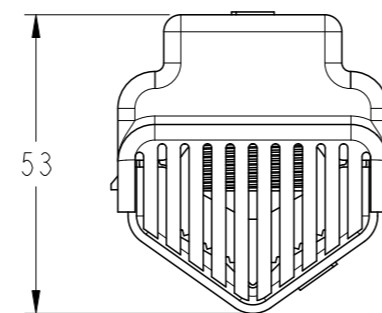
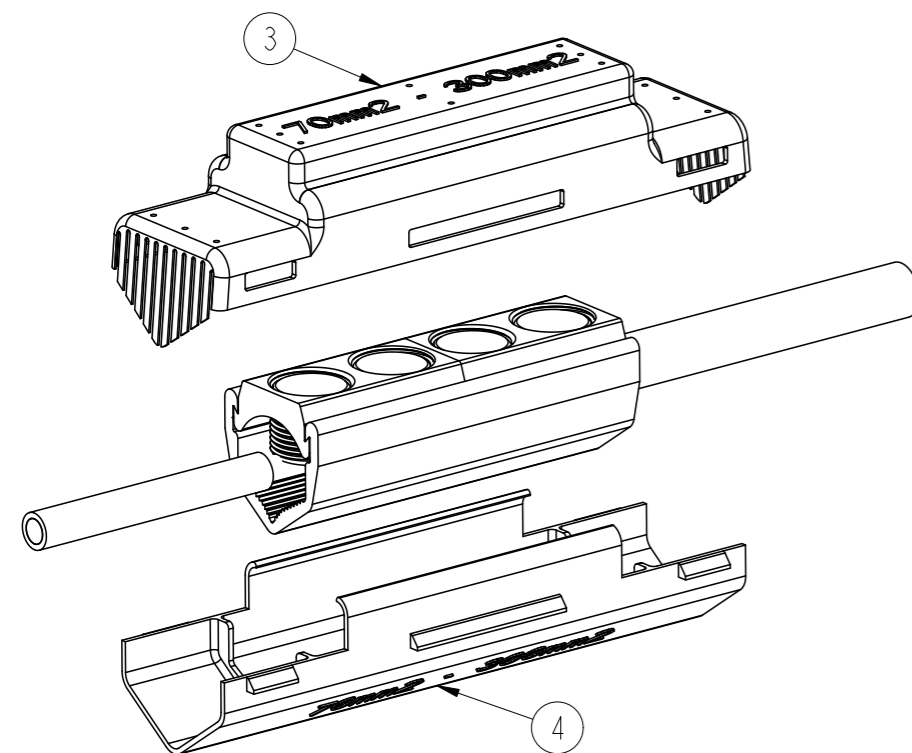
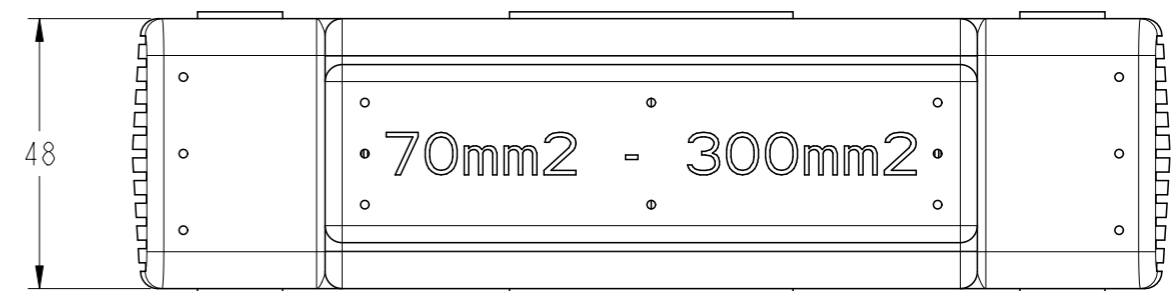


P	LTR	DESCRIPTION	DATE	DWN	APVD
	A	INITIAL RELEASE	02MAR2021	BM	NA



SHROUDS NOT SHOWN



ITEM	QTY	PART NUMBER	DESCRIPTION
5	2	EE3573-000	FLAT TIP BOLT
4	1	EB6948-000	UST300 LOWER INSULATION SHROUD
3	1	EB6947-000	UST300 UPPER INSULATION SHROUD
2	2	883218-000	UNIVERSAL 300mm TOP INSERT (2 BOLT)
1	1	434968-000	UNIV. STRAIGHT CONN. BOTTOM INSERT

THIS DRAWING IS A CONTROLLED DOCUMENT.

DIMENSIONS:	TOLERANCES UNLESS OTHERWISE SPECIFIED:
mm	
	0 PLC ±
	1 PLC ±
	2 PLC ±
	3 PLC ±
	4 PLC ±
	ANGLES ±
MATERIAL	FINISH

TCPN	PN	REFERENCE	CONDUCTOR SIZE (mm ²)	SOCKET/SPANNER A/F (mm)
EB9134-000	BAH-032020081	UST300INS	70-300	19

DWN BHARATH B M 02MAR2021
 CHK L. JONATHAN 02MAR2021
 APVD N. ALMEIDA 02MAR2021

STE TE Connectivity

NAME: UNIVERSAL STRAIGHT JOINT CONNECTORS WITH MOULDED INSULATION SHROUDS BAH-032020081

SIZE	CAGE CODE	DRAWING NO	RESTRICTED TO
A3	00779	BAH-032020081	-

CUSTOMER DRAWING SCALE 3:4 SHEET 1 OF 1 REV A