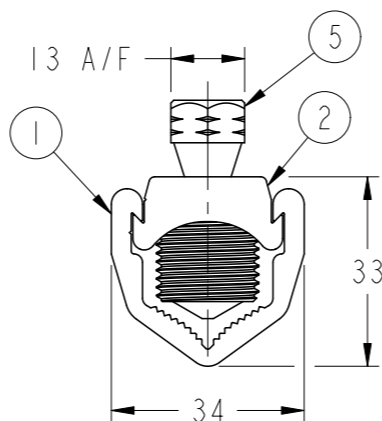
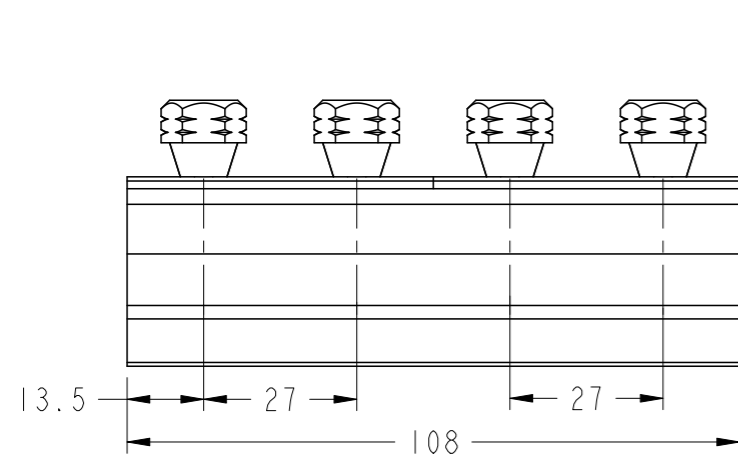
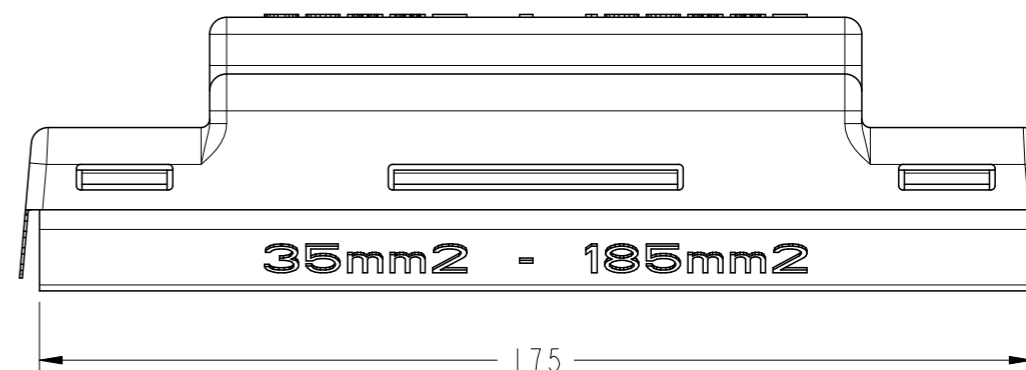
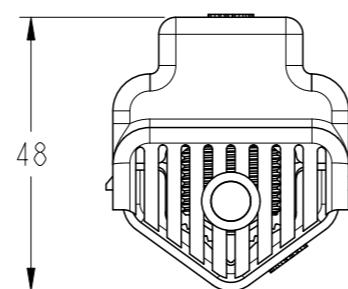
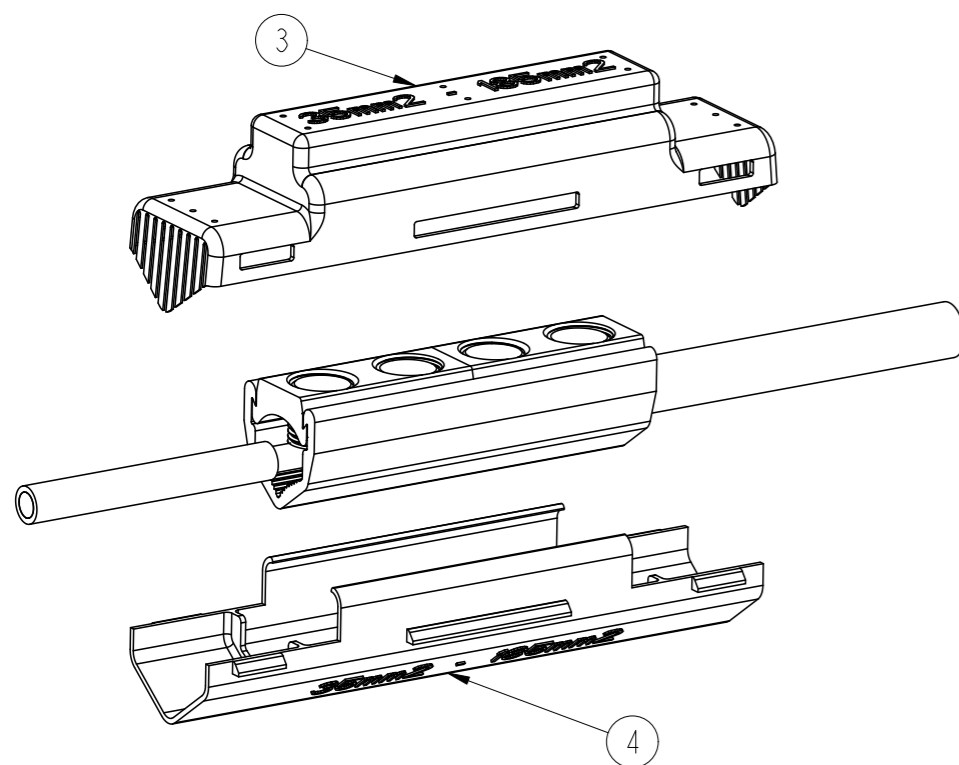
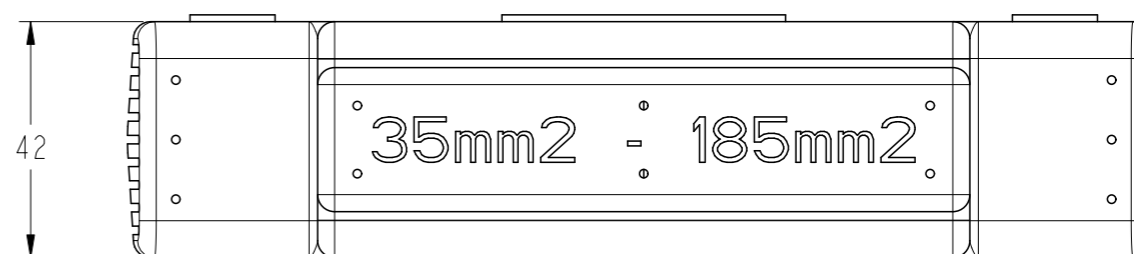


P	LTR	DESCRIPTION	DATE	DWN	APVD
	A	INITIAL RELEASE	02MAR2021	BM	NA



SHROUDS NOT SHOWN



ITEM	QTY	PART NUMBER	DESCRIPTION
5	2	EE3572-000	FLAT TIP BOLT
4	1	EB6946-000	UST185 LOWER INSULATION SHROUD
3	1	EB6945-000	UST185 UPPER INSULATION SHROUD
2	2	995638-000	UNIVERSAL 185mm TOP INSERT (2 BOLT)
1	1	157716-000	UNIVERSAL 185mm STRAIGHT BOTTOM INSERT

THIS DRAWING IS A CONTROLLED DOCUMENT.

DIMENSIONS:	TOLERANCES UNLESS OTHERWISE SPECIFIED:
mm	
	0 PLC ±
	1 PLC ±
	2 PLC ±
	3 PLC ±
	4 PLC ±
	ANGLES ±
MATERIAL	FINISH
	-

TCPN	PN	REFERENCE	CONDUCTOR SIZE (mm ²)	SOCKET/SPANNER A/F (mm)
EB9133-000	BAH-032020080	UST185INS	35-185	13

DWN BHARATH B M 02MAR2021
 CHK L. JONATHAN 02MAR2021
 APVD N. ALMEIDA 02MAR2021
 PRODUCT SPEC -
 APPLICATION SPEC -
 WEIGHT -
 CUSTOMER DRAWING

TE TE Connectivity
 NAME: UNIVERSAL STRAIGHT JOINT CONNECTORS WITH MOULDED INSULATION SHROUDS BAH-032020080
 SIZE: A3 CAGE CODE: 00779 DRAWING NO: C-BAH-032020080 RESTRICTED TO: -
 SCALE: 3:4 SHEET 1 OF 1 REV A