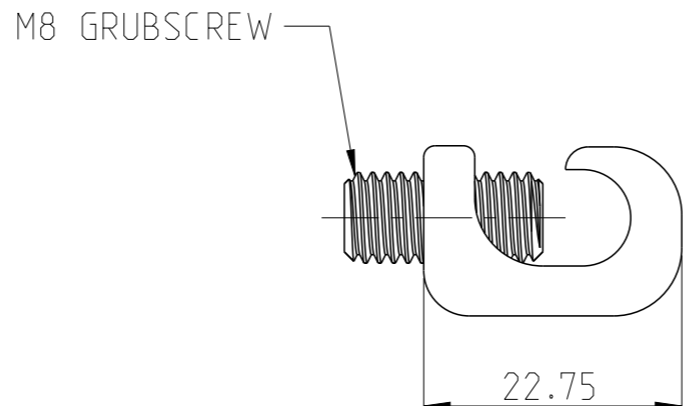
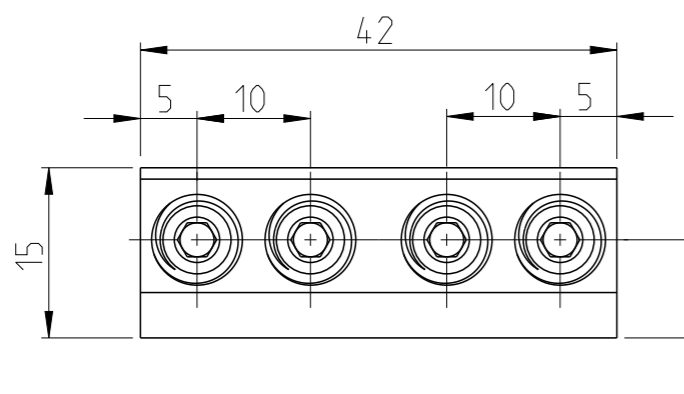
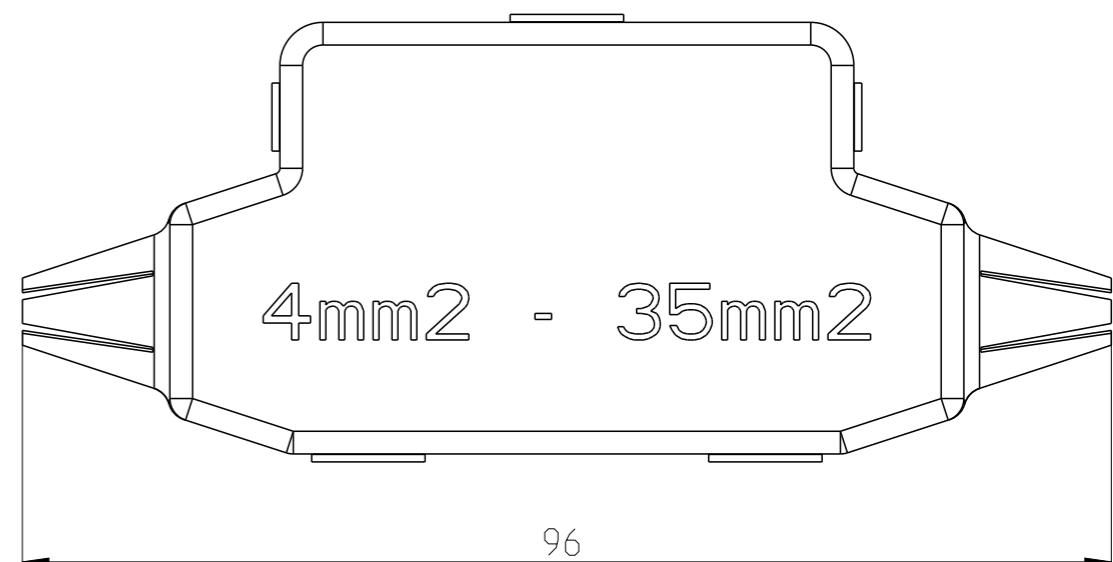
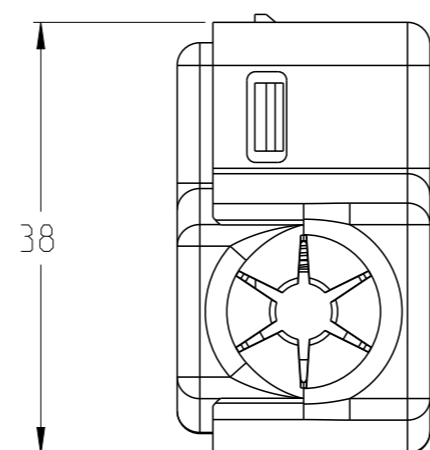
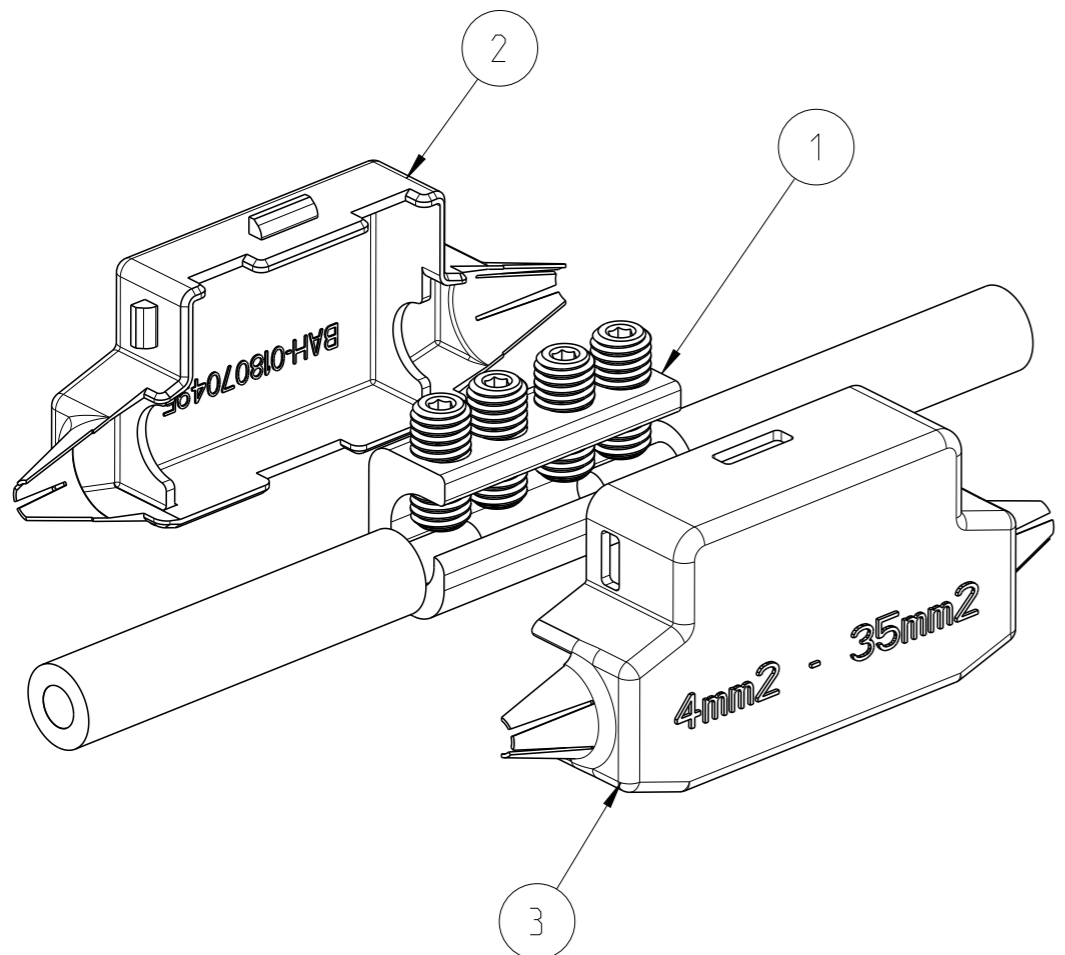
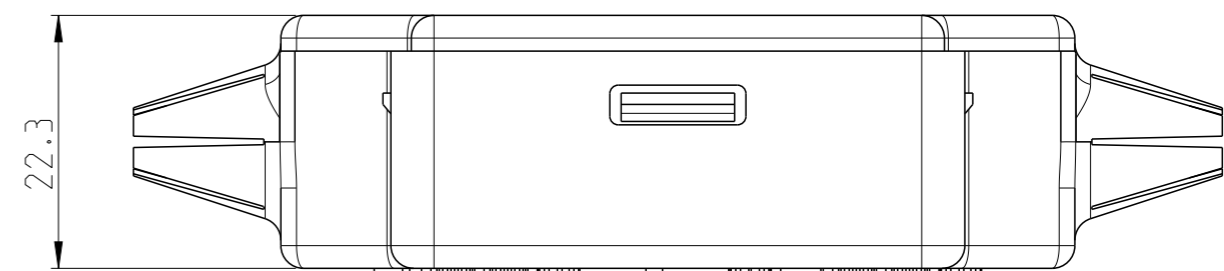


P	LTR	DESCRIPTION	DATE	DWN	APVD
	A	NEW DRAWING	24AUG2021	RS	LJ



SHROUDS NOT SHOWN



TCPN	PN	REFERENCE	CONDUCTOR RANGE (mm <sup>2</sup> )	STD GRUBSCREW SIZE
EB9131-000	BAH-031000009	HUC35INS	4-35	M8

THIS DRAWING IS A CONTROLLED DOCUMENT.

DIMENSIONS:	TOLERANCES UNLESS OTHERWISE SPECIFIED:
mm	0 PLC ±
	1 PLC ±
	2 PLC ±
	3 PLC ±
	4 PLC ±
	ANGLES ±
MATERIAL	FINISH -

DWN	RAVI.S	24AUG2021
CHK	M.BENOIT	24AUG2021
APVD	L.JONATHAN	24AUG2021
PRODUCT SPEC	-	-
APPLICATION SPEC	-	-
WEIGHT	-	-

**TE** TE Connectivity

NAME: STRAIGHT CONNECTOR WITH MOULDED INSULATION SHROUDS FOR SERVICE CONDUCTORS BAH-031000009

SIZE	CAGE CODE	DRAWING NO	RESTRICTED TO
A3	00779	©-BAH-031000009	-

CUSTOMER DRAWING SCALE 3:2 SHEET 1 OF 1 REV A

ITEM	QTY	PART NUMBER	DESCRIPTION
3	1	CP1815-000	HUC35 INSULATION SHROUD - OUTER
2	1	CP5938-000	HUC35 INSULATION SHROUD - INNER
1	1	830904-000	35mm <sup>2</sup> BRASS HALF-ANCHOR TYPE SERVICE CONNECTOR 42.0 LONG