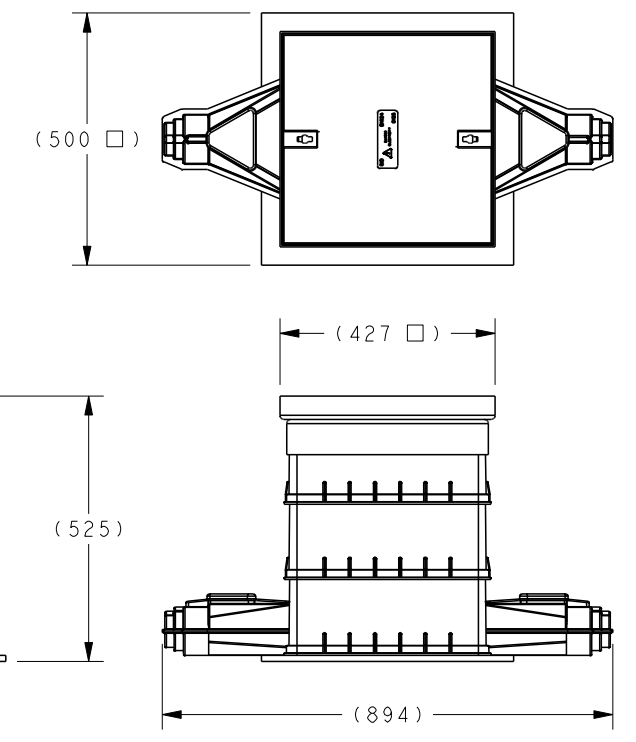
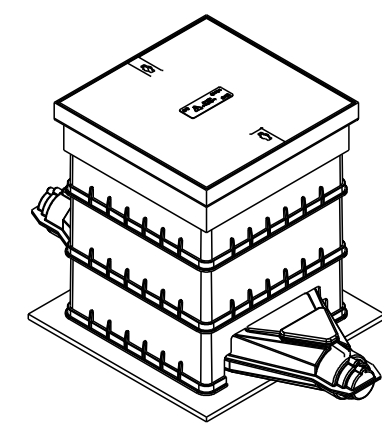


	ITEM	PART/DRG NO	QTY	DESCRIPTION
SEE NOTE 2 ↔	1	01-500-0071	2	BRASS CNE CONNECTOR EXTENDED PRESSURE PLATE
SEE NOTE 2 ↔	2	01-500-0072	2	BRASS CNE CONNECTOR - SHOE x 34 LONG
SEE NOTE 2 ↔	3	01-701-0038	4	M12 x 1.75 13 A/F 52.5 LONG BRASS MULTI-SHEAR BOLT
	4	01-803-0016	2	ENGRAVING LABEL - WHITE/BLACK/WHITE - 80x35mm
	5	01-807-0371	1	LINK BOX ENCLOSURE COVER 2-WAY (MK2 & MK3 LINKBOX)
	6	01-807-0433	1	2-WAY LINK BOX ENCLOSURE SET - MK2 & MK3 LINKBOX (UR3030TMB)
SEE NOTE 1 ↔	7	01-811-0004	1	TERMINAL COVER (MK2 & MK3 LINKBOX)
	8	01-811-0024	2	UPPER HOUSING CUT-OUT COVER - STANDARD (MK2 LINK BOX)
	9	01-811-0028	1	CONDUCTOR SETTING JIG (MK2 LINK BOX)
SEE NOTE 2 ↔	10	01-811-0079	1	INSTALLATION INSTRUCTION FOR MK2 & MK3 UK LOW VOLTAGE 2 & 4 WAY LINKBOX
	11	02-811-0016	1	300mm² 2-WAY 3-CORE UNTAILED MK2 LINK BOX BODY - UK VERSION
	12	BAH-018070591	1	RECYCLED LDPE 2 WAY LINK BOX BASE PAD : 500mm X 500mm X 12mm THICK
	13	BAH-018110104	3	INJECTION MOULDED TERMINAL COVER LID ( MK2 & MK3 LINKBOX )
SEE NOTE 3 ↔	14	BAH-018110138	2	LABEL - YELLOW / BLACK - 85 x 40 x 0.06mm 'LID ARROWS THIS WAY'
SEE NOTE 4 ↔	15	BAH-018110194	2	LABEL - YELLOW / BLACK - 145 x 15 x 0.06mm 'MINIMUM RESIN FILL LEVEL'



NOTES :

- 'TERMINAL COVER' IS NOT TO BE CLIPPED TO BACK PANEL.
- ALL PARTS MARKED "SEE NOTE 2 ↔" ARE TO BE PACKED IN TOOLBOX.
- 'LID ARROWS' LABELS TO BE STUCK TO ENCLOSURE MIDDLE OR TOP RING AS SHOWN, ON OPPOSITE FACES IN LINE WITH ENCLOSURE CUT-OUT.
- 'RESIN LEVEL' LABELS ARE TO BE STUCK TO TERMINAL COVERS AS PER LOCAL INSTRUCTION.

Revision	Description	Name/DMR	Date
H	BAH-018110107 (x1), BAH-018110111 (x1), BAH-018110113 (x1), BAH-018110161 (x2), BAH-028110134 (x1) REMOVED & BAH-018110194 (x2) ADDED	BH-01224	21/06/17
G	BAH-018070591 (x1) WAS BAH-018070426 (x1)	BH-01155	24/03/16
F	NOTE 4 REVISED TO CLARIFY LABEL POSITION	BH-01018	28/07/14
E	BAH-018110027 (x1) REMOVED & REPLACED WITH BAH-018110104 (x3), NOTE 5 ADDED & BAH-018110161 (x2) ADDED	BH-00851	08/03/13
D	BAH-015000071 (x2), BAH-015000072 (x2) & BAH-017010038 (x4) REPLACE BAH-025000095 (x2)	BH-00842	06/12/12
C	BAH-025000095 (x2) REPLACES BAH-015000071 (x2), BAH-015000072 (x2) & BAH-017010038 (x4), NOTE 3 COMBINED WITH NOTE 2 & NOTE 3 WAS NOTE 4	BH-00746	20/07/12
B	NOTE 4 ADDED & BAH-018110138 (x2) ADDED	BH-00752	30/11/11
A	FIRST ISSUE	BH-00745	11/10/11

	Material	VARIABLES	- IF IN DOUBT ASK - DO NOT SCALE -		
	Finish	VARIABLES	Part Description	Design/Drawn	D M EATON
	Tolerances (UOS)	N/A	300mm² 2-WAY 3-CORE UNTAILED MK3 LINKBOX - STANDARD UK VERSION	Date	11-Oct-11
	B&H Short Desc.	1700/BUK		Scale (UOS)	1:10
			TCPN	EE2903-000	Part Weight
			Drawing/Part No	BAH-028110129	Drawing Type
			CUSTOMER		Rev
			H		