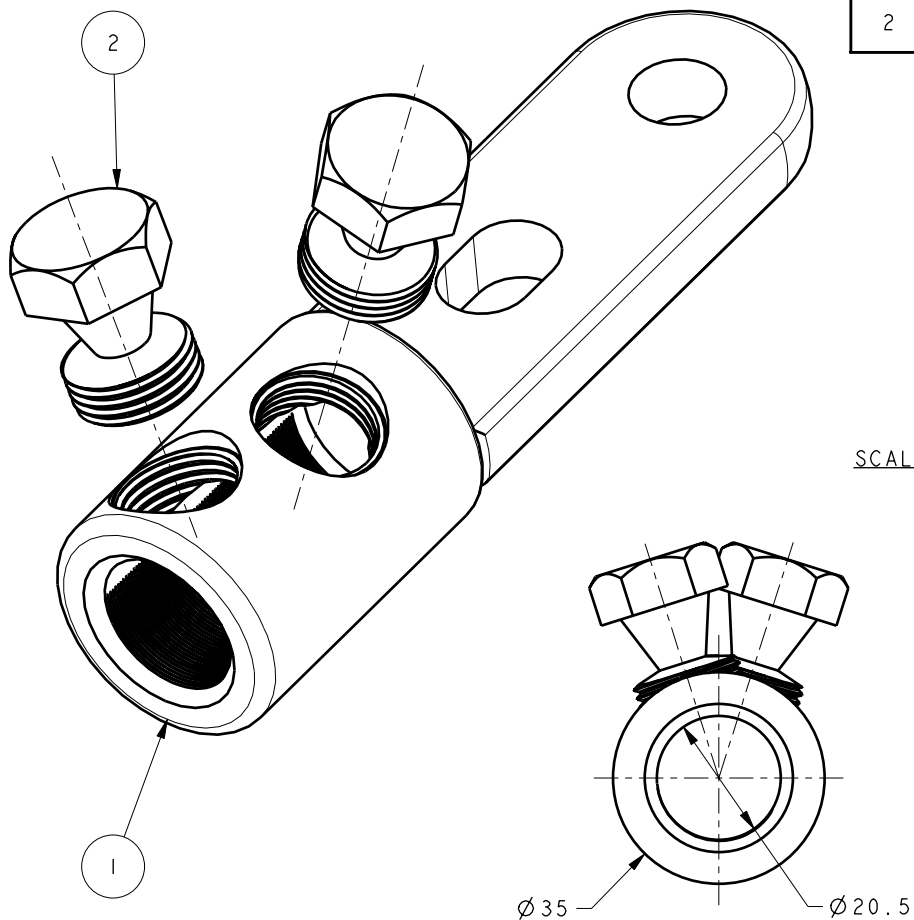
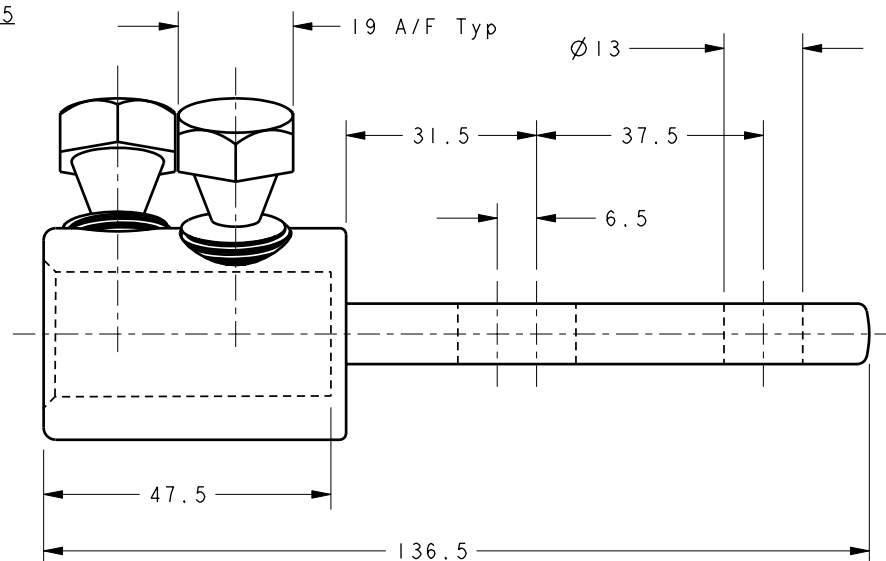


ITEM	PART/DRG NO	QTY	DESCRIPTION
1	01-403-0114	1	MV BRASS END TERMINATION BODY 35.0 O/D 20.5 I/D - CENTRE PALM OVERHEAD TYPE WITH Ø13.0 HOLE & SLOT
2	01-700-0085	2	M18x1.5 19 A/F 26.0 LONG BRASS SINGLE-SHEAR BOLT



SCALE 4:5



Issued to: Commercial	Quality	Stores	Production	A	FIRST ISSUE	S.P.W	13.6.02
Material BRASS CZ121				Revision	Description	Name	Date
Finish NATURAL				Design/Drawn	S.P.WEST	Date.	13-Jun-02
Tolerances (UOS) ±-				Checked by	Approved by	Scale (UOS)	1:1
B&H Short Desc. VETB20/35-OH				Drawing/Part No.	02-403-0129	Drawing Type	ASSEMBLY
Part Description MV BRASS END TERMINATION - 35.0 O/D 20.5 I/D - CENTRE PALM OVERHEAD TYPE WITH Ø13.0 HOLE & SLOT				THIRD ANGLE PROJECTION		A4	
IF IN DOUBT ASK - DO NOT SCALE				Revision		Name	
REMOVE ALL BURRS AND SHARP EDGES - ALL THREADS TO BS3643 PT 2				Drawing/Part No.		Revision	
© THIS DRAWING IS COPYRIGHT AND IS ISSUED ON THE STRICT UNDERSTANDING THAT IT IS NOT REPRODUCED, COPIED OR DISCLOSED TO A THIRD PARTY WITHOUT THE CONSENT IN WRITING OF TYCO ELECTRONICS				Date		Date	