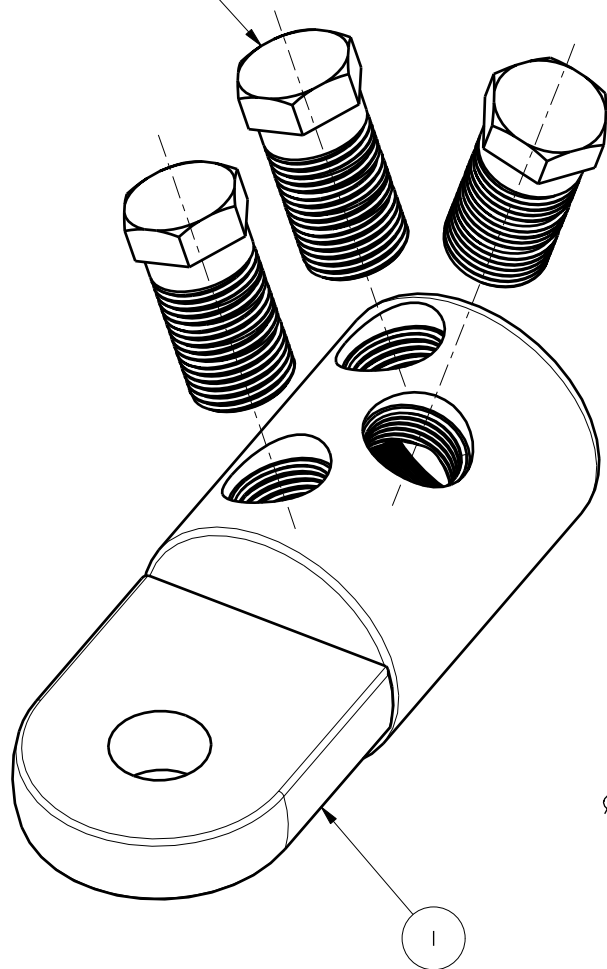
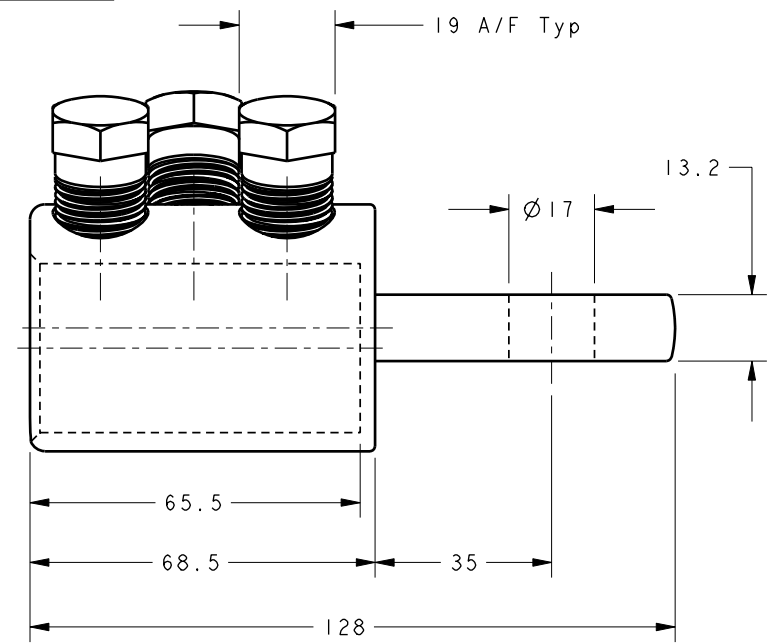
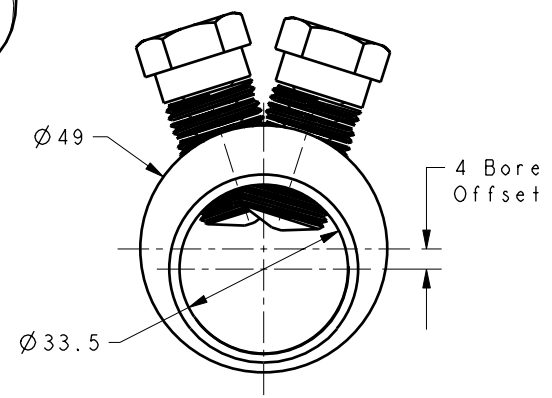


2



ITEM	PART/DRG NO	QTY	DESCRIPTION
1	01-403-0103	1	MV COPPER END TERMINATION BODY - 49.0 O/D 33.5 I/D CENTRE PALM WITH Ø16.0 HOLE
2	01-701-0010	3	M18x1.5 19 A/F 41.0 LONG BRASS MULTI-SHEAR BOLT

SCALE 2:3



Issued to: Commercial	Quality	Stores	Production	A	FIRST ISSUE	S.P.W	6.11.02
				Revision	Description	Name	Date
Tyco Electronics UK Ltd Aldridge Site Middlemore Lane West Aldridge West Midlands WS9 8EA Phone: +44(0)1922 743993 Fax: +44(0)1922 744150				Design/Drawn	S.P.WEST	Date	06-Nov-02
Material VARIES Finish VARIES Tolerances (UOS) ±- B&H Short Desc. VETC3316UTB				Checked by	Approved by		Scale (UOS) 4:5
IF IN DOUBT ASK - DO NOT SCALE MV COPPER END TERMINATION - 41.0 O/D 33.5 I/D CENTRE PALM WITH Ø16.0 HOLE				Drawing/Part No.	02-403-0104		
				Drawing Type	ASSEMBLY		A4 Revision A