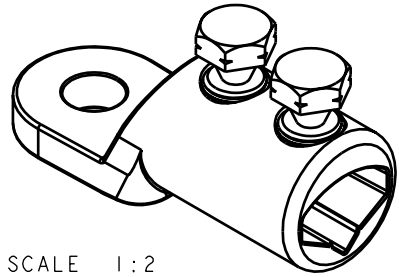
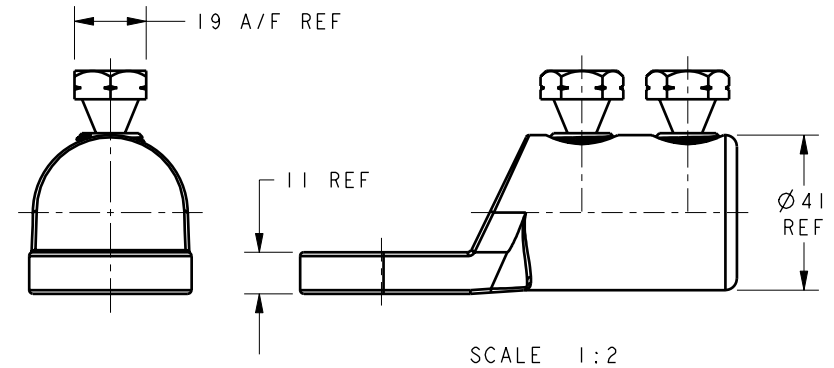
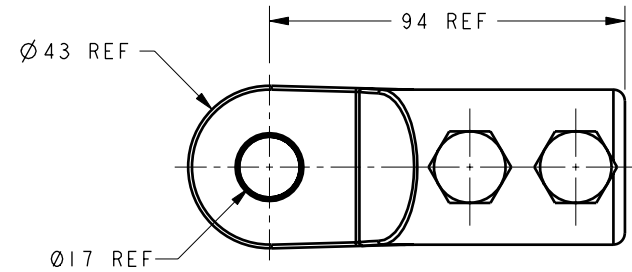
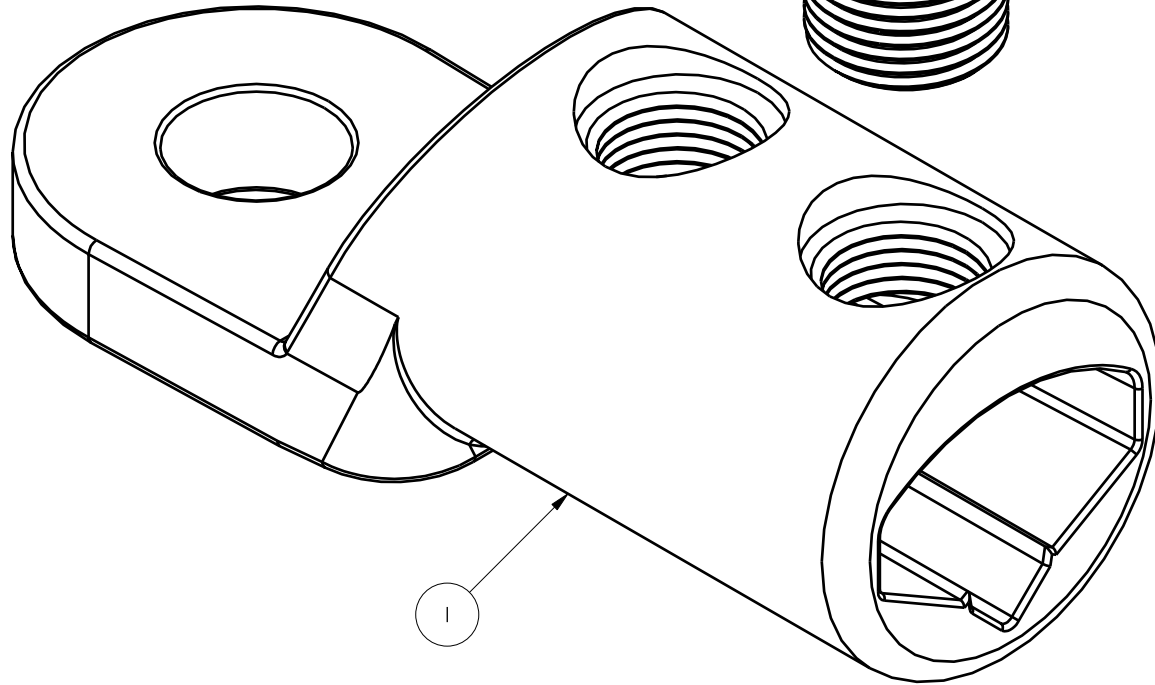
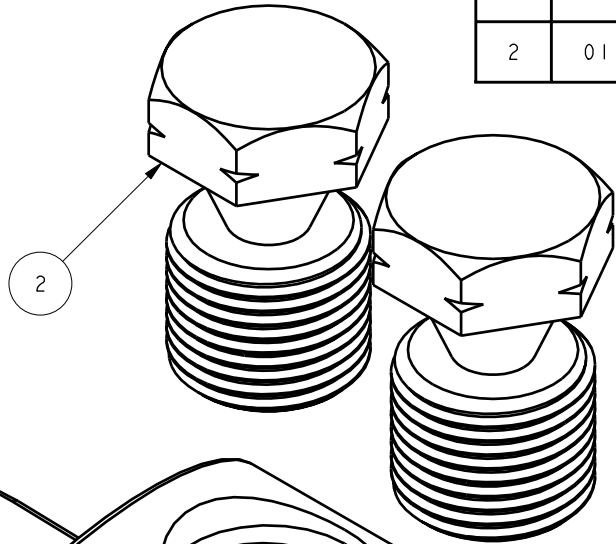


ITEM	PART/DRG NO	QTY	DESCRIPTION
1	01-402-0047	1	LV ALUMINIUM END TERMINATION BODY - 41.0 O/D WITH SECTORAL BORE TO SUIT 300mm ² -OFFSET PALM WITH Ø17.0 HOLE
2	01-700-0046	2	M18x1.5 19 A/F 35.5 LONG ALUMINIUM SINGLE-SHEAR BOLT



SCALE 1:2



Tyco Electronics UK Ltd
Freebournes Road, Witham
Essex, CM8 3AH, UK.
Tel: +44 1376 509509
Fax: +44 1376 509511
<http://energy.tycoelectronics.com>

Material	VARIES
Finish	VARIES
Tolerances (UOS)	-
B&H Short Desc.	LVET30016/AGIM18

IF IN DOUBT ASK - DO NOT SCALE
Part Description
LV ALUMINIUM END TERMINATION CONNECTOR
- 41.0 O/D WITH SECTORAL BORE TO SUIT 300mm²
- OFFSET PALM WITH Ø17.0 HOLE

A	FIRST ISSUE	BH-00045	14/04/05
Revision	Description	Name/DMR	Date
Design/Drawn	D M EATON	Date.	14-Apr-05
PCN/RPN No	390474-000	Scale (UOS)	3:2
Drawing/Part No.	02-402-0048	Checked/Approved by	
Drawing Type	ASSEMBLY/CUSTOMER	THIRD ANGLE PROJECTION	A 4
		Revision	A