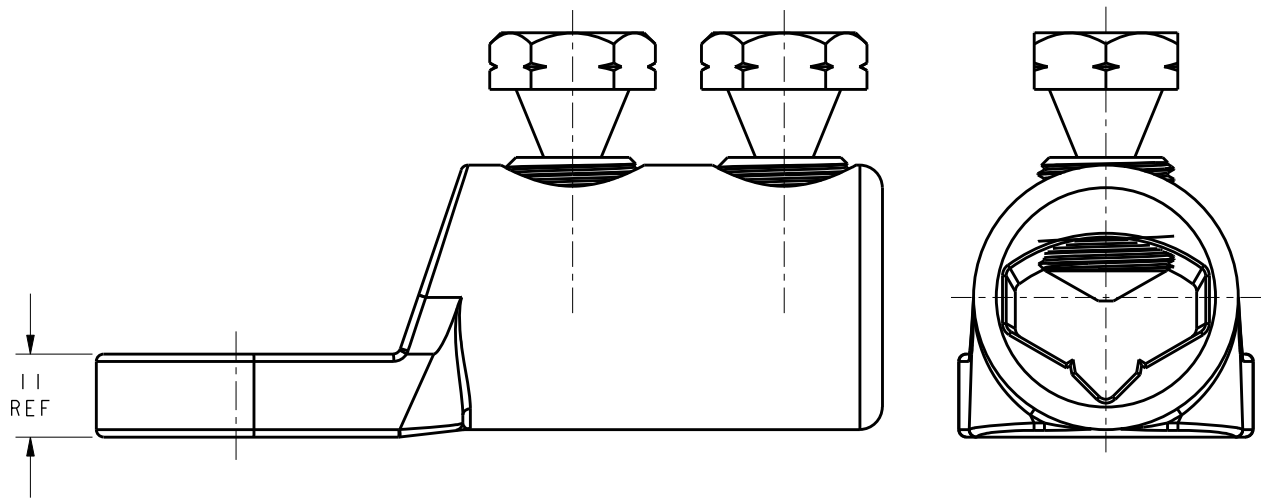
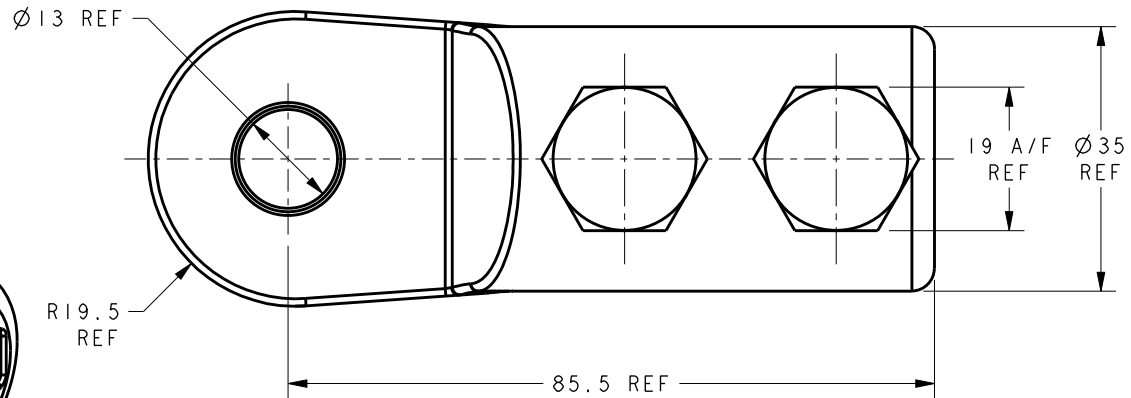
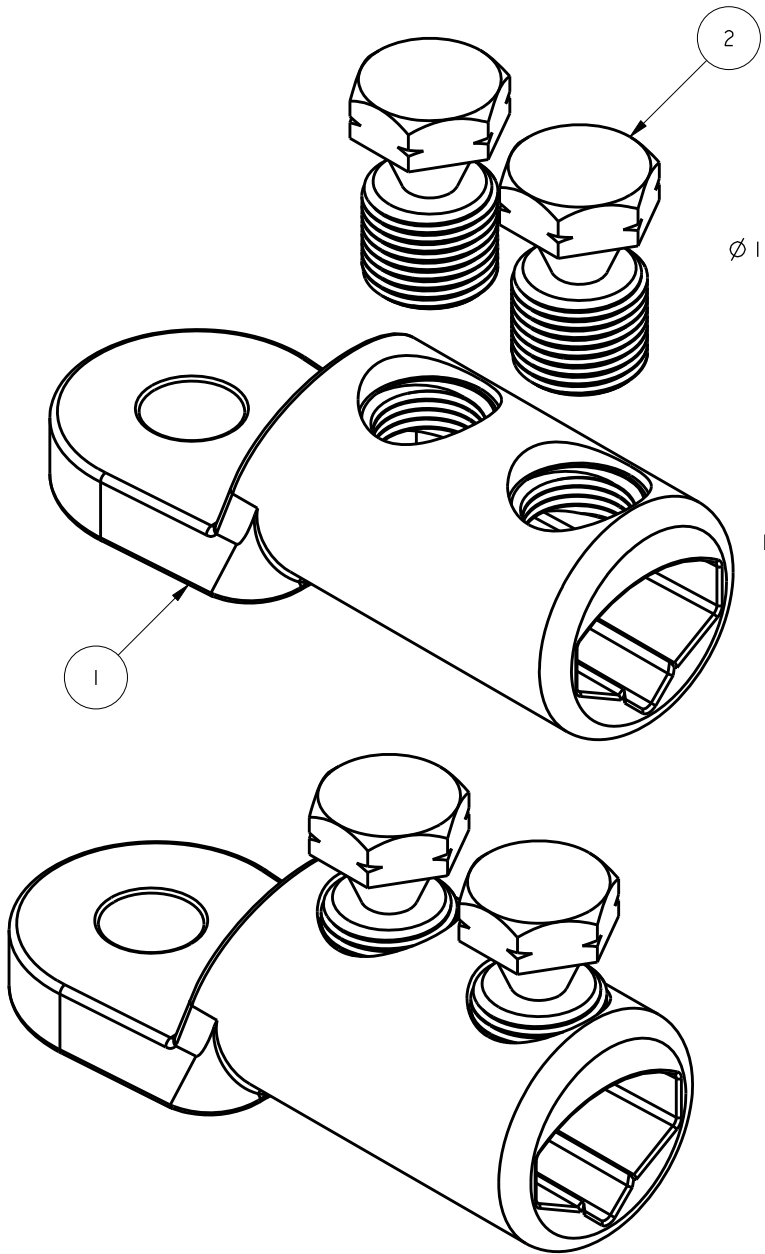


ITEM	PART/DRG NO	QTY	DESCRIPTION
1	BAH-014020038	1	LV ALUMINIUM END TERMINATION BODY WITH SECTORAL BORE TO SUIT 185mm ² OFFSET PALM WITH Ø13.0 HOLE
2	BAH-037000138	1	BAGGED BAH-017000046 - PACK OF 2



NOTES :

1. PART WEIGHT APPROX = 168.27g

- IF IN DOUBT ASK - DO NOT SCALE -



Material	VARIES
Finish	VARIES
Tolerances (UOS)	-
B&H Short Desc.	LVET18512(SECT)/AG1M18

Part Description
LV ALUMINIUM END TERMINATION CONNECTOR
 - 35.0 O/D WITH SECTORAL BORE TO SUIT 185mm²
 - OFFSET PALM WITH Ø13.0 HOLE

A	FIRST ISSUE	BH-00826	27/09/12
Revision	Description	Name/DMR	Date
Design/Drawn	D M EATON	Date	27-Sep-12
PCN/RPN No	136892-000	Scale (UOS)	1:1
Checked/Approved by		THIRD ANGLE PROJECTION	A4
Drawing/Part No	BAH-024020039	Drawing Type	ASSEMBLY/CUSTOMER
		Rev	A

REMOVE ALL BURRS AND SHARP EDGES - SURFACES TO BE FREE FROM SCRATCHES AND DEFECTS - ALL THREADS TO BS3643 PT 2

© 2012 TYCO ELECTRONICS UK LTD, WITHAM, UK