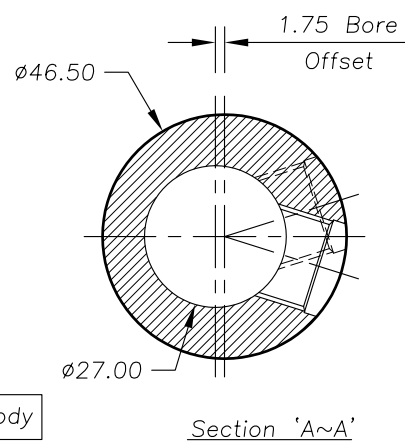
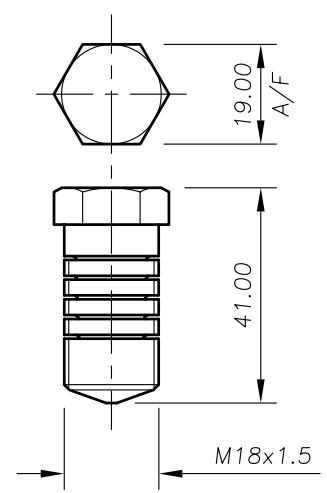
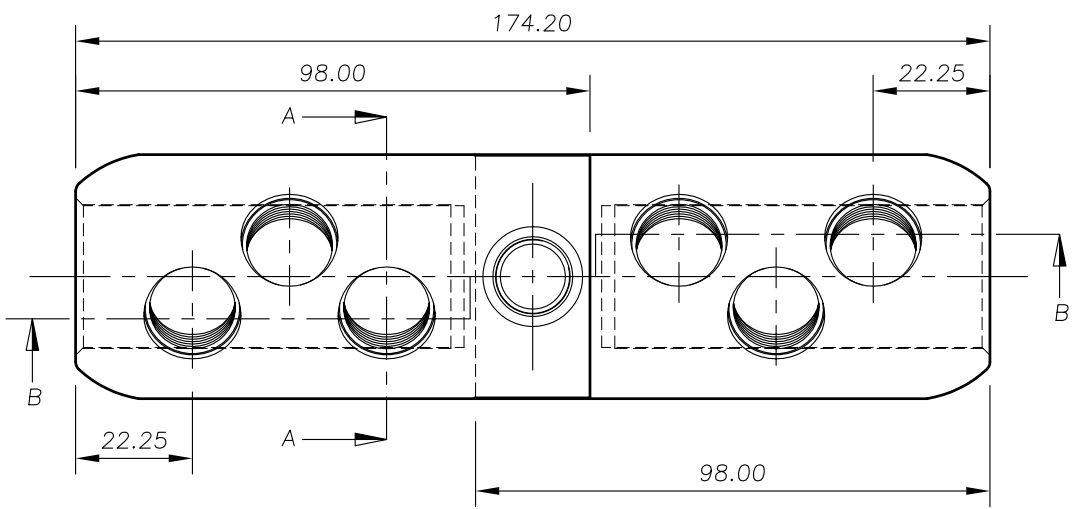


Connector Mid-Bolt

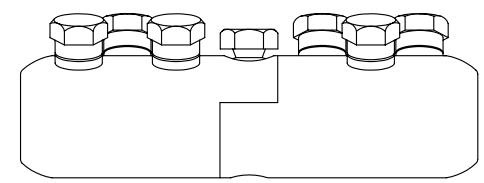


Connector Body

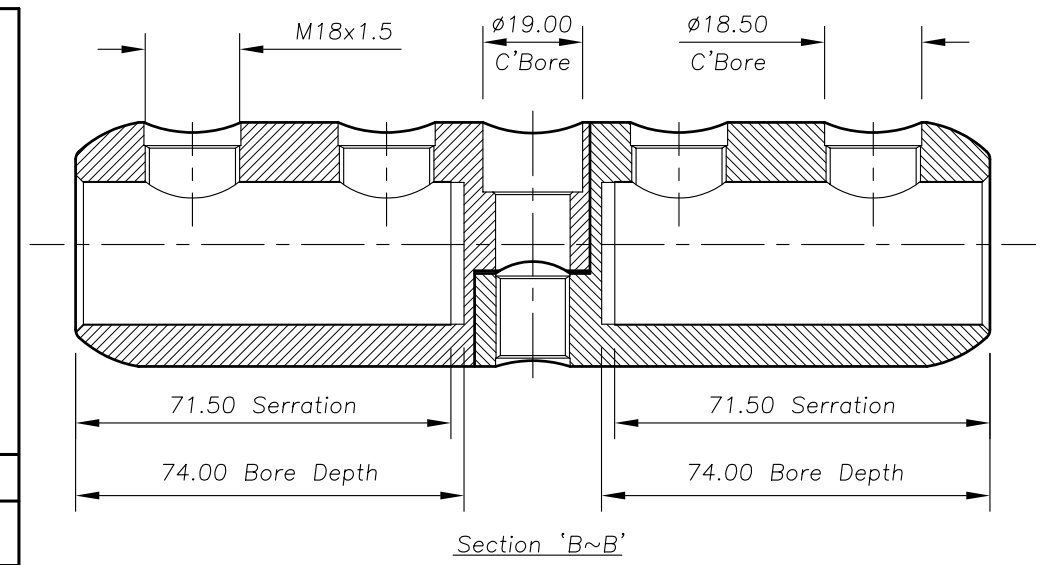
Section 'A~A'



M18 Conductor Clamping Bolt



Assemble Connector as Shown



Section 'B~B'

PART/DRG NO.	QTY.	DESCRIPTION
01-211-0086	1	33kV BRASS STRAIGHT VEE TYPE CONNECTOR - 46.5 O/D 27.0 I/D - (TAPERED ENDED) THREADED HALF
01-211-0085	1	33kV BRASS STRAIGHT VEE TYPE CONNECTOR - 46.5 O/D 27.0 I/D - (TAPERED ENDED) COUNTERBORED HALF
01-702-0015	1	M14x1.5 19 A/F 56.3 LONG BRASS MID-BOLT
01-701-0010	6	M18x1.5 19 A/F 41.0 LONG BRASS MULTI-SHEAR BOLT

Revision	Description	Name	Date
E	MID-BOLT MATERIAL REVISED	S.P.W	17.6.02
D	PART No WAS VTPB27UTB, DRG No WAS S17-B02-A02	S.P.W	18.1.02
C	MID-BOLT REVISED	S.P.W	30.1.01
B	PART No REVISED, WAS RAYC-SPC-V300(ASS), DRG No REVISED, WAS 0143-AS1	S.P.W	25.8.00
A	FIRST ISSUE	S.P.W	26.8.99

Issued to: Commercial Quality Stores Production

tyco Electronics Tyco Electronics UK Ltd Aldridge Site Middlemore Lane West Aldridge West Midlands WS9 8EA Phone:+44(0)1922 743993 Fax:+44(0)1922 744150

Material VARIES Finish VARIES Tolerances (UOS) - B&H Short Desc. VTPB27UTB

IF IN DOUBT ASK! - DO NOT SCALE

Part Description
33kV BRASS STRAIGHT VEE TYPE CONNECTOR
46.5 O/D 27.0 I/D (TAPERED ENDED)

Design/Drawn S.P.WEST Date: 25 AUG 1999 Scale (UoS) 1:1.5

Checked by Approved by

Drawing/Part No. 02-211-0048 Drawing Type ASSEMBLY

THIRD ANGLE PROJECTION

A4 Revision: E