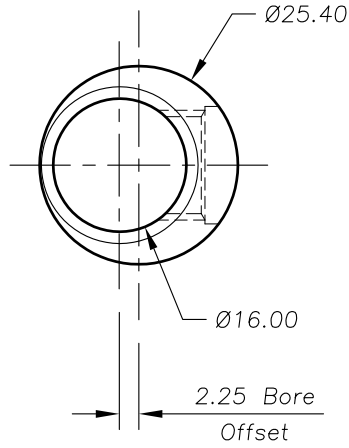
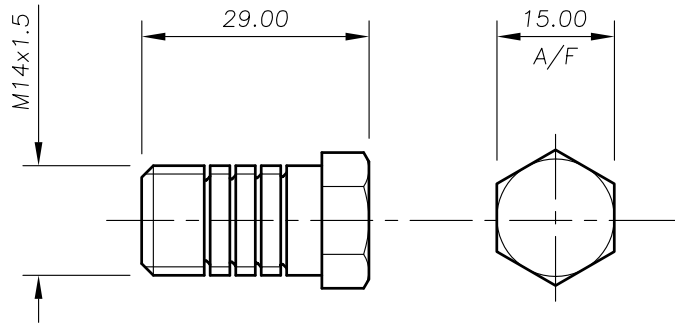
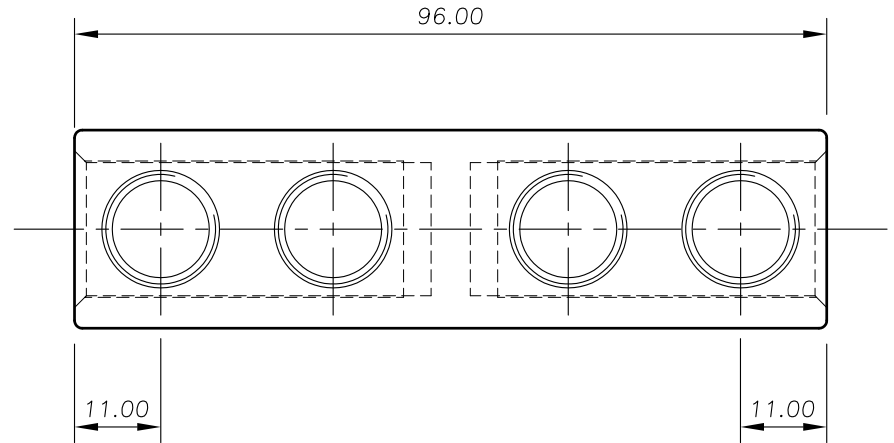


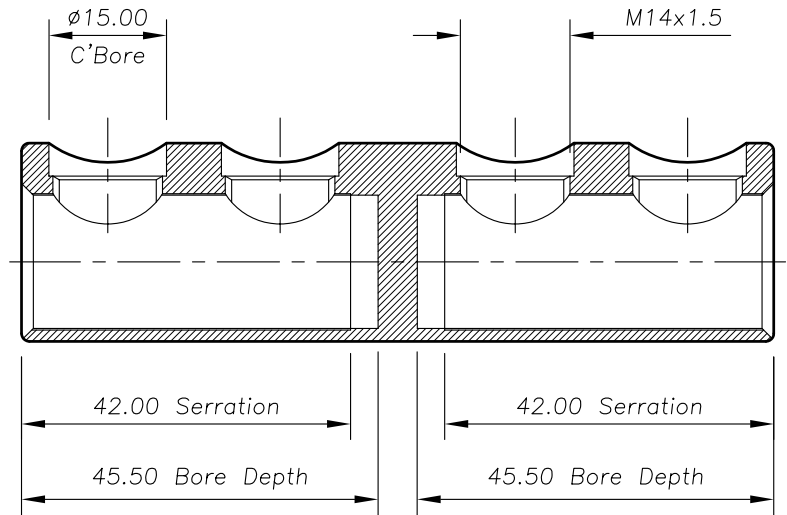
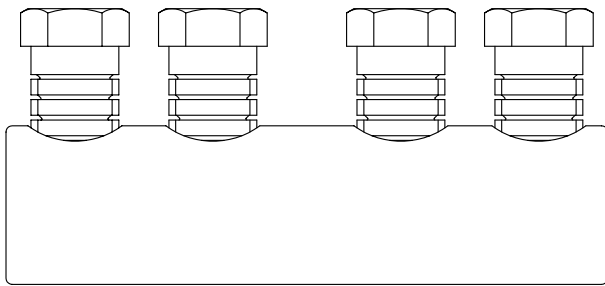
M14 – 15 A/F Conductor Clamping Bolt



Connector Body



Assemble Connector as Shown



Section 'A~A'

PART/DRG NO.	QTY.	DESCRIPTION
01-209-0019	1	11kV BRASS STRAIGHT BLOCKED CONNECTOR – 25.3 O/D 17.0 I/D
01-701-0009	4	M14x1.5 15 A/F 29.0 LONG BRASS MULTI-SHEAR BOLT



Tyco Electronics UK Ltd, Freebournes Road,
Witham, Essex, CM8 3AH, UK.
Tel: +44 1376 509509 Fax: +44 1376 509511

Material	VARIES
Finish	VARIES
Tolerances (UOS)	-
B&H Short Desc.	HVBSTM14S0/UTB

IF IN DOUBT ASK – DO NOT SCALE
Part Description
MV BRASS STRAIGHT BLOCKED CONNECTOR
25.4 O/D 16.0 I/D c/w UTBM14-15/29

A	FIRST ISSUE	BH-00331	15/01/08
Revision	Description	Name/DMR	Date
Design/Drawn	Date	Scale (UOS)	1:1
D M EATON	15-Jan-08	Checked/Approved by	
PCN/RPN No	035082-000	THIRD ANGLE PROJECTION	A4
Drawing/Part No.	02-209-0008	Drawing Type	ASSEMBLY/CUSTOMER
		Revision	A
REMOVE ALL BURRS AND SHARP EDGES – SURFACES TO BE FREE FROM SCRATCHES AND DEFECTS – ALL THREADS TO BS3643 PT 2		© 2008 TYCO ELECTRONICS UK LTD, WITHAM, UK	