

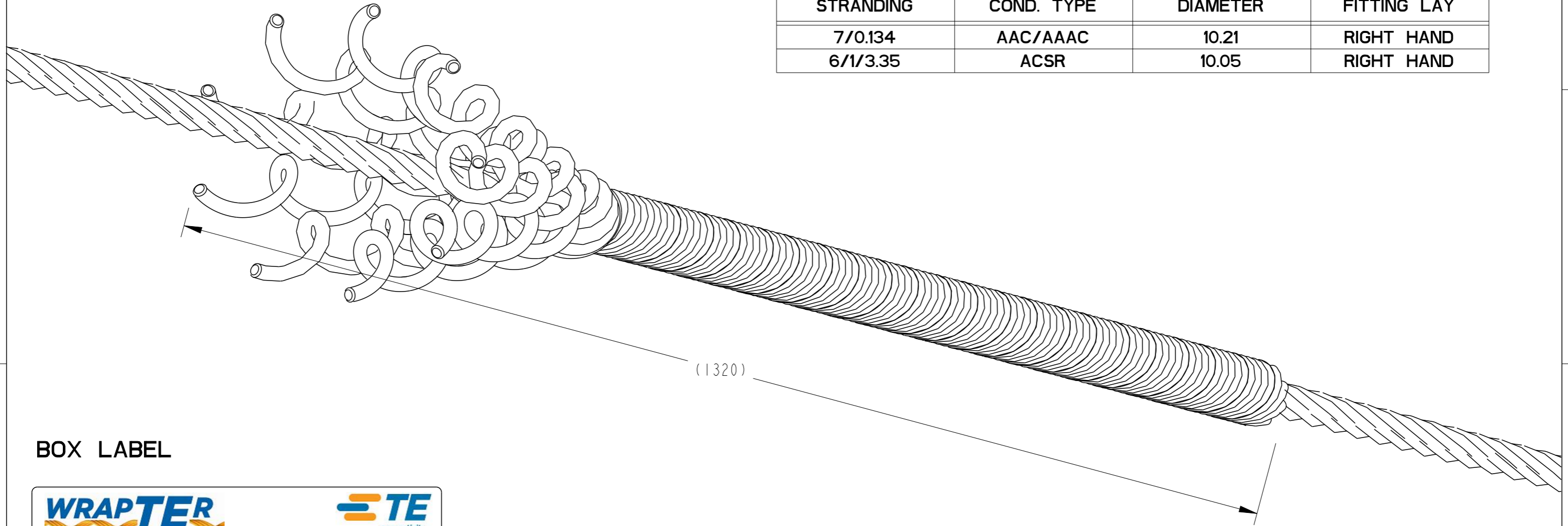
DRAWING NO: NAA0990-1050-C
THIS DRAWING IS A CONTROLLED DOCUMENT



ARMOUR RODS

CATALOGUE NUMBER: NAA0990-1050 SUITS CONDUCTOR

STRANDING	COND. TYPE	DIAMETER	FITTING LAY
7/0.134	AAC/AAAC	10.21	RIGHT HAND
6/1/3.35	ACSR	10.05	RIGHT HAND



BOX LABEL

P/N: NAA0990-1050
ID:
DESCRIPTION:
 NON-TENSION ALUMINIUM ARMOUR RODS (NAA) FITTING
 7/0.134 AAC/AAAC
 6/1/3.35 ACSR
RANGE: 9.90 - 10.50
COLOUR-CODE: PURPLE
QTY: 40 **WEIGHT:** **BATCH:**

PRODUCT LABEL

NAA0990-1050
 7/0.134 AAC/AAAC
 6/1/3.35 ACSR

WEIGHT: 0.45kg
BATCH NO:
MONTH/YEAR:

TECHNICAL SPECIFICATIONS;

CATALOGUE NUMBER: NAA0990-1050
DESCRIPTION: NON-TENSION ALUMINIUM ARMOUR RODS (NAA) FITTING
MATERIAL: ALUMINIUM ALLOY
NUMBER OF RODS: 9
ROD DIAMETER: 4.06mm
OVERAL LENGTH: 1320mm
END FINISH: CHAMFERED
FITTING LAY DIRECTION: RIGHT HAND
COLOUR CODED: PURPLE
RODS ARE LABELED, BUNDLED IN A SET AND TAPED AT BOTH ENDS.

THIS INFORMATION IS CONFIDENTIAL AND PROPRIETARY TO TE CONNECTIVITY CORPORATION AND ITS WORLDWIDE SUBSIDIARIES AND AFFILIATES. IT MAY NOT BE DISCLOSED TO ANYONE, OTHER THAN TE CONNECTIVITY PERSONNEL, WITHOUT WRITTEN AUTHORIZATION FROM TE CONNECTIVITY CORPORATION, AUSTRALIA.

LOC			PAINT MARKS COLOUR PURPLE WAS YELLOW	08-09-2013	AG	AT	IMPLIED NOTES BURRS AND SHARP EDGES REMOVED SCREW THREADS ARE TO AS 1275 DO NOT WORK TO DIMS MARKED REF SURFACE FINISH 6.3 U.N.O. DIMS ARE IN mm. DO NOT SCALE	IMPLIED TOLERANCES HOLE DIA AND LOCATIONS: ±0.5mm. DIMENSIONS UP TO 30mm: ±1.5mm. DIMENSIONS OVER 30mm: ±5% UP TO A MAX OF: ±5mm. ANGULAR DIMENSIONS: ±5°	TCPN - PART Alias UTX/DUL NAA0990-1050 Cat No NAA0990-1050	TITLE NON-TENSION ALUMINIUM ARMOUR RODS (NAA) FITTING COND. RANGE: Ø9.90-Ø10.50 7/0.134 AAC/AAAC 6/1/3.35 ACSR						
DIST		A	NEW RELEASE	22-04-2013	RN	AT	MATERIAL DESC ALUMINIUM ALLOY		DRAWN RN CHECKED MN	DATE 22-04-2013 APPROVED AT		TE Connectivity 2/3 Corella Close Berkeley Vale NSW 2261 Australia				
POS	REV	REVISION RECORD		DATE	DWN	APVD	MATERIAL NO	MATL SPEC/STD/DRG NO	PROCESS SPEC HEAT TREAT/PLATING NO	SIZE	PROJECTION	SCALE	DRAWING NO	SHEET	OF	REV
							-	-	-	A3	3RD ANGLE	NTS	NAA0990-1050-C	1	1	1