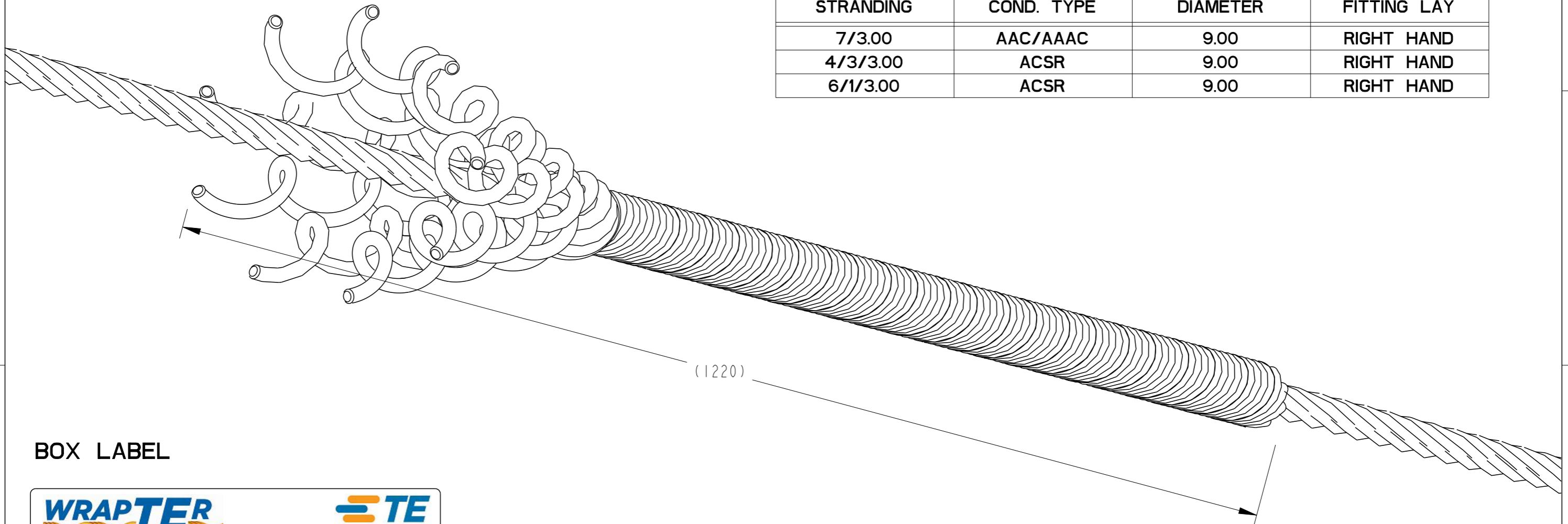


DRAWING NO
NAA0880-0930-C



ARMOUR RODS

CATALOGUE NUMBER: NAA0880-0930 SUITS CONDUCTOR



STRANDING	COND. TYPE	DIAMETER	FITTING LAY
7/3.00	AAC/AAAC	9.00	RIGHT HAND
4/3/3.00	ACSR	9.00	RIGHT HAND
6/1/3.00	ACSR	9.00	RIGHT HAND

BOX LABEL

P/N: NAA0880-0930
 ID:
 DESCRIPTION:
 NON-TENSION ALUMINIUM ARMOUR RODS (NAA) FITTING
 7/3.00 AAC/AAAC
 6/1/3.00 & 4/3/3.00 ACSR
 RANGE: 8.80 - 9.30
 COLOUR-CODE: RED
 QTY: 40 WEIGHT: BATCH:

PRODUCT LABEL

NAA0880-0930
 7/3.00 AAC/AAAC
 4/3/3.00 & 6/1/3.00 ACSR **WEIGHT: 0.34kg**
BATCH NO:
MONTH/YEAR:

TECHNICAL SPECIFICATIONS;

CATALOGUE NUMBER: NAA0880-0930
 DESCRIPTION: NON-TENSION ALUMINIUM ARMOUR RODS (NAA) FITTING
 MATERIAL: ALUMINIUM ALLOY
 NUMBER OF RODS: 9
 ROD DIAMETER: 3.66mm
 OVERAL LENGTH: 1220mm
 END FINISH: CHAMFERED
 FITTING LAY DIRECTION: RIGHT HAND
 COLOUR CODED: RED
RODS ARE LABELED, BUNDLED IN A SET AND TAPED AT BOTH ENDS.

THIS INFORMATION IS CONFIDENTIAL AND PROPRIETARY TO TE CONNECTIVITY CORPORATION AND ITS WORLDWIDE SUBSIDIARIES AND AFFILIATES. IT MAY NOT BE DISCLOSED TO ANYONE, OTHER THAN TE CONNECTIVITY PERSONNEL, WITHOUT WRITTEN AUTHORIZATION FROM TE CONNECTIVITY CORPORATION, AUSTRALIA.

LOC							IMPLIED NOTES BURRS AND SHARP EDGES REMOVED SCREW THREADS ARE TO AS 1275 DO NOT WORK TO DIMS MARKED REF SURFACE FINISH 6.3 U.N.O. DIMS ARE IN mm. DO NOT SCALE	IMPLIED TOLERANCES HOLE DIA AND LOCATIONS: ±0.5mm. DIMENSIONS UP TO 30mm: ±1.5mm. DIMENSIONS OVER 30mm: ±5% UP TO A MAX OF: ±5mm. ANGULAR DIMENSIONS: ±5°	TCPN -	TITLE NON-TENSION ALUMINIUM ARMOUR RODS (NAA) FITTING COND. RANGE: $\varnothing 8.80 - \varnothing 9.30$ 7/3.00 AAC/AAAC 6/1/3.00 & 4/3/3.00 ACSR								
							PART Alias UTX/DUL NAA0880-0930	Cat No NAA0880-0930	DRAWN RN	DATE 22-04-2013	 TE Connectivity 2/3 Corella Close Berkeley Vale NSW 2261 Australia							
DIST	NEW RELEASE						22-04-2013	RN	AT	MATERIAL DESC ALUMINIUM ALLOY								
	POS	REV	REVISION RECORD				DATE	DWN	APVD	MATERIAL NO	MATL SPEC/STD/DRG NO	PROCESS SPEC HEAT TREAT/PLATING NO	SIZE	PROJECTION	SCALE	DRAWING NO	SHEET	OF
8	7					6	5	4	3	2	1	1	1	1	NAA0880-0930-C	1	1	1

D
C
B
A