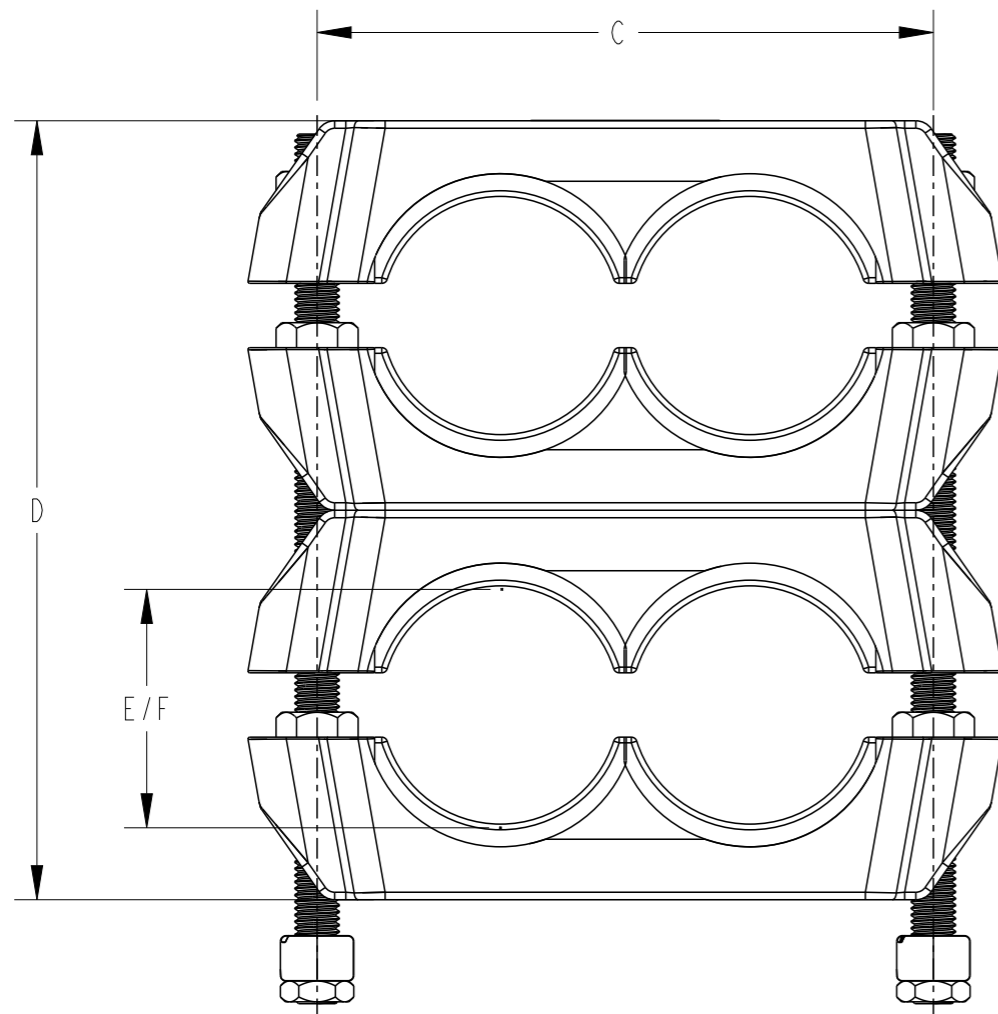
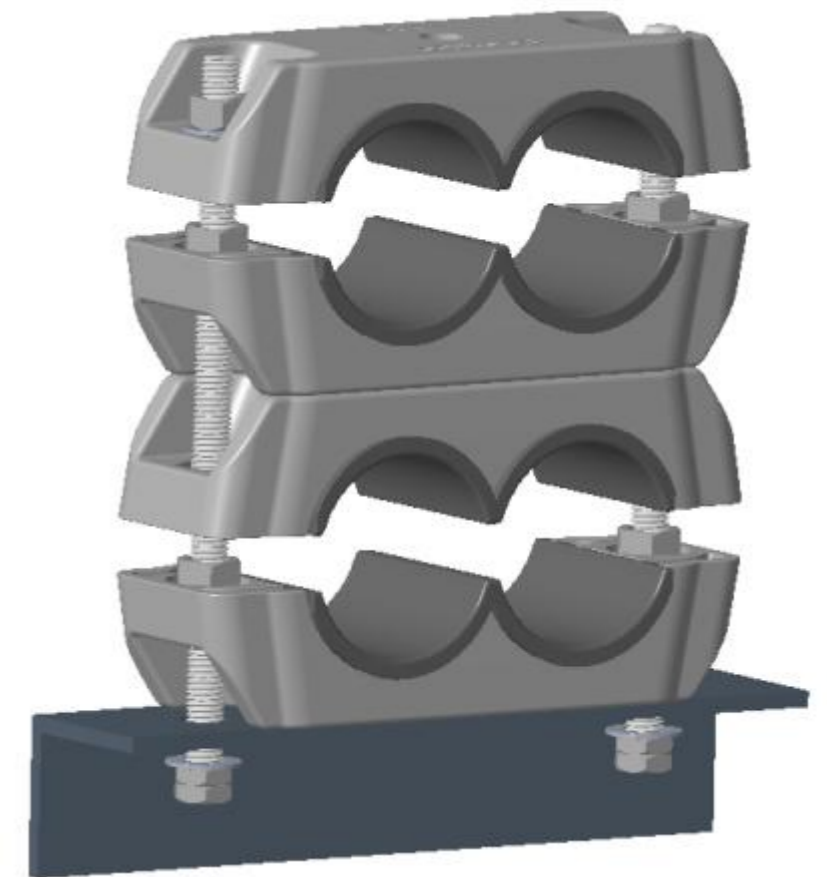


TCPN	CATALOGUE NO.	TYPE	A mm (inch)	B mm (inch)	C mm (inch)	D = MAX HEIGHT WITH MAX CABLE mm (inch)	MIN CABLE E mm (inch)	MAX CABLE F mm (inch)
ER7044-000	CCD15-26-SN-DOUB	STRUT NUT	143 (5.63)	60 (2.36)	107 (4.21)	150 (5.9)	Ø15 (0.59)	Ø26 (1.02)
ER7045-000	CCD15-26-FM-DOUB	FLAT MOUNT						
ER0046-000	CCD26-38-SN-DOUB	STRUT NUT	143 (5.63)	60 (2.36)	107 (4.21)	170 (6.69)	Ø26 (1.02)	Ø38 (1.5)
ER0047-000	CCD26-38-FM-DOUB	FLAT MOUNT						
ER0053-000	CCD38-50-SN-DOUB	STRUT NUT	173 (6.81)	60 (2.36)	139 (5.47)	210 (8.27)	Ø38 (1.5)	Ø50 (1.97)
ER0054-000	CCD38-50-FM-DOUB	FLAT MOUNT						
ER0061-000	CCD50-63-SN-DOUB	STRUT NUT	199 (7.83)	65 (2.56)	163 (6.42)	255 (10.04)	Ø50 (1.97)	Ø63 (2.60)
ER0062-000	CCD50-63-FM-DOUB	FLAT MOUNT						



STRUT NUT VERSION



FLAT MOUNT VERSION

LOC	—	AI	'D' DIMENSIONS UPDATED	31/08/22	JS	RN	IMPLIED NOTES BURRS AND SHARP EDGES REMOVED SCREW THREADS ARE TO AS 1275 DO NOT WORK TO DIMS MARKED REF SURFACE FINISH 6.3 U.N.O. DIMS ARE IN mm. DO NOT SCALE	IMPLIED TOLERANCES HOLE DIA AND LOCATIONS: ±0.5mm. DIMENSIONS UP TO 30mm: ±1.5mm. DIMENSIONS OVER 30mm: ±5%. UP TO A MAX OF: ±5mm. ANGULAR DIMENSIONS: ±5°	TCPN REFER TABLE	TITLE CABLE CLEATS CUSTOMER DRAWING- DUAL CLEAT DOUBLE STACKED	
DIST	—	A	CCD15-26 SN AND FM DIMENSIONS ADDED	27/01/22	JS	RN			Cat No REFER TABLE	DRAWN JS CHECKED SC	DATE 15/04/21 APPROVED RN
POS	REV	REVISION RECORD		DATE	DWN	APVD	MATERIAL NO	MATL SPEC/STD/DRG NO	PROCESS SPEC HEAT TREAT/PLATING NO	SIZE A3 PROJECTION 3RD ANGLE SCALE 1:2	DRAWING NO AU35111 SHEET 1 OF 1 REV AI