

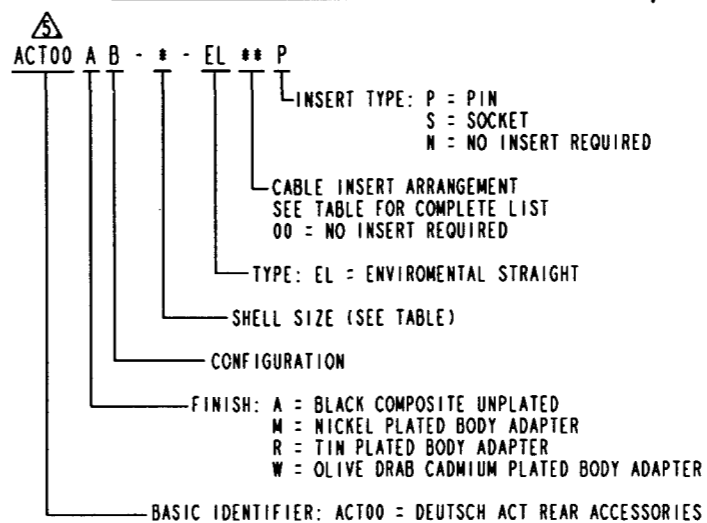
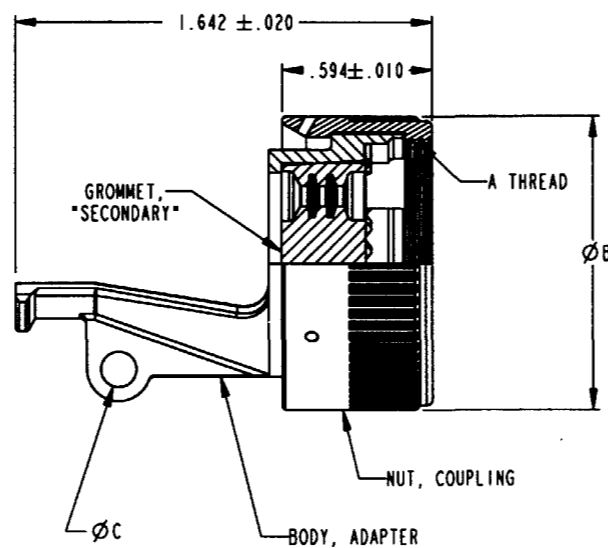
PROPERTY OF DEUTSCH E.C.D.

This drawing contains proprietary information that shall not be disclosed, duplicated, nor used in whole or in part for any purpose other than to evaluate this drawing.

D ACT00*B-*-EL***

REVISIONS			
REV	DESCRIPTION	DATE	APPROVED
D	REDRAWN PER E.O. C4837	3-9-01	JPT

CABLE CODE	INSERT ARRANGEMENT	CABLE CODE	INSERT ARRANGEMENT
38	09-35	61	23-21
39	09-98	62	23-35
40	11-05	63	23-53
41	11-35	64	23-55
42	11-99	65	25-04
43	13-04	66	25-19
44	13-35	67	25-20
45	13-98	68	25-24
46	15-05	69	25-29
47	15-18	70	25-35
48	15-35	71	25-61
49	15-97	92	11-98
50	17-06	93	15-19
51	17-08	94	13-08
52	17-26	95	17-99
53	17-35	96	21-39
54	19-11	97	25-43
55	19-32	98	15-23
56	19-35	99	17-19
57	21-11	100	15-26
58	21-16		
59	21-35		
60	21-41		



DEUTSCH PART NUMBER ***	SHELL SIZE	A THREAD	B Ø ±.015	C Ø ±.010
ACT00*B-A-EL***	A	M12X1.0-6H 0.100R	.650	.120
ACT00*B-B-EL***	B	M15X1.0-6H 0.100R	.775	.120
ACT00*B-C-EL***	C	M18X1.0-6H 0.100R	.905	.120
ACT00*B-D-EL***	D	M22X1.0-6H 0.100R	1.030	.120
ACT00*B-E-EL***	E	M25X1.0-6H 0.100R	1.160	.140
ACT00*B-F-EL***	F	M28X1.0-6H 0.100R	1.270	.140
ACT00*B-G-EL***	G	M31X1.0-6H 0.100R	1.400	.140
ACT00*B-H-EL***	H	M34X1.0-6H 0.100R	1.525	.140
ACT00*B-J-EL***	J	M37X1.0-6H 0.100R	1.655	.140

△ FOR PART NUMBER BREAKDOWN, SEE TABLE.

- RECOMMENDED TORQUE: SHELL SIZES A-E : 20-30 IN./LBS.
SHELL SIZES F-J : 35-45 IN./LBS.
- MATERIAL: COUPLING NUT: COMPOSITE
ADAPTER BODY: COMPOSITE
SECONDARY GROMMET: SILICONE ELASTOMER
- CONSULT FACTORY FOR AVAILABILITY.
- ALL DIMENSIONS ARE IN INCHES UNLESS OTHERWISE SPECIFIED.
THREAD CALLOUTS ARE METRIC.

SIGNATURE & DATE	
DR	A. RASMUSSEN 20FEB01
CHK	JPT 3-9-01
PE	JPT 09FEB01
APPD	
SCALE	NONE

STRAIN RELIEF
STRAIGHT ONE ARM STYLE
LIGHT DUTY
ACT SERIES
ENVELOPE

CP	MATERIAL CODE
DEUTSCH	
ENGINEERED CONNECTING DEVICES	
5733 W. Whittier Ave. Hemet, California	
A	ACT00*B-*-EL***
SIZE	CODE 11124
SHEET	OF 1