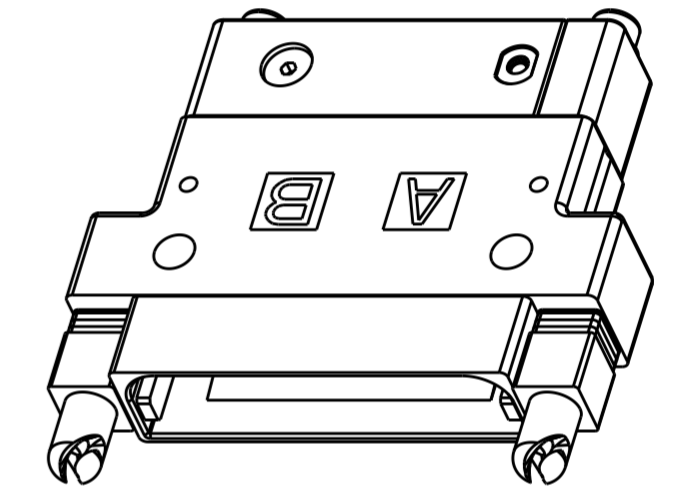
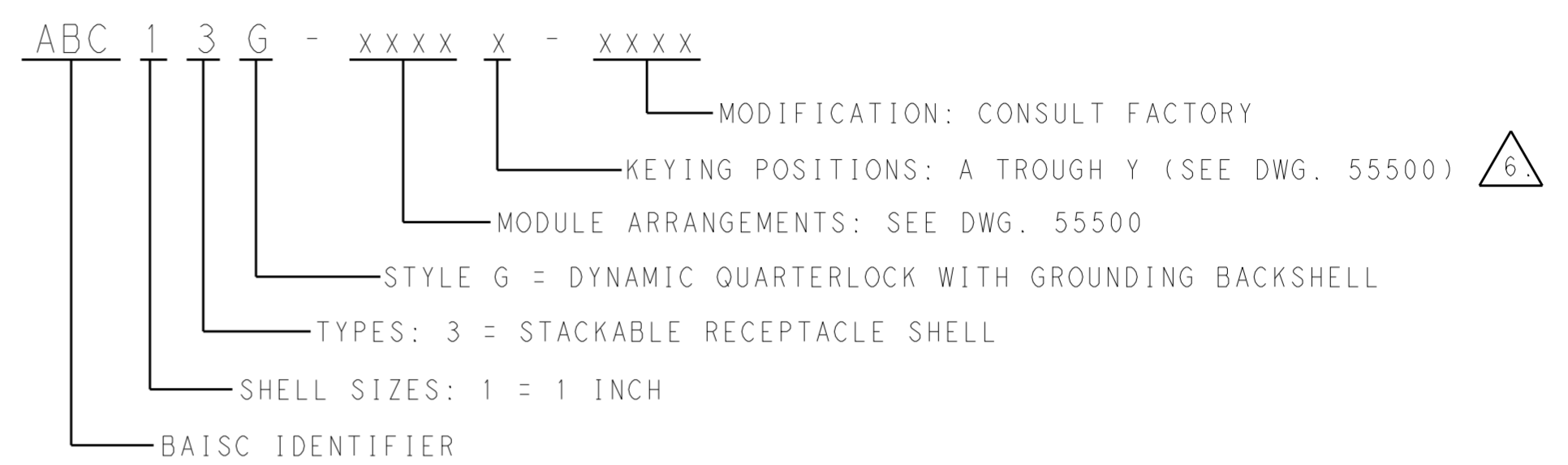
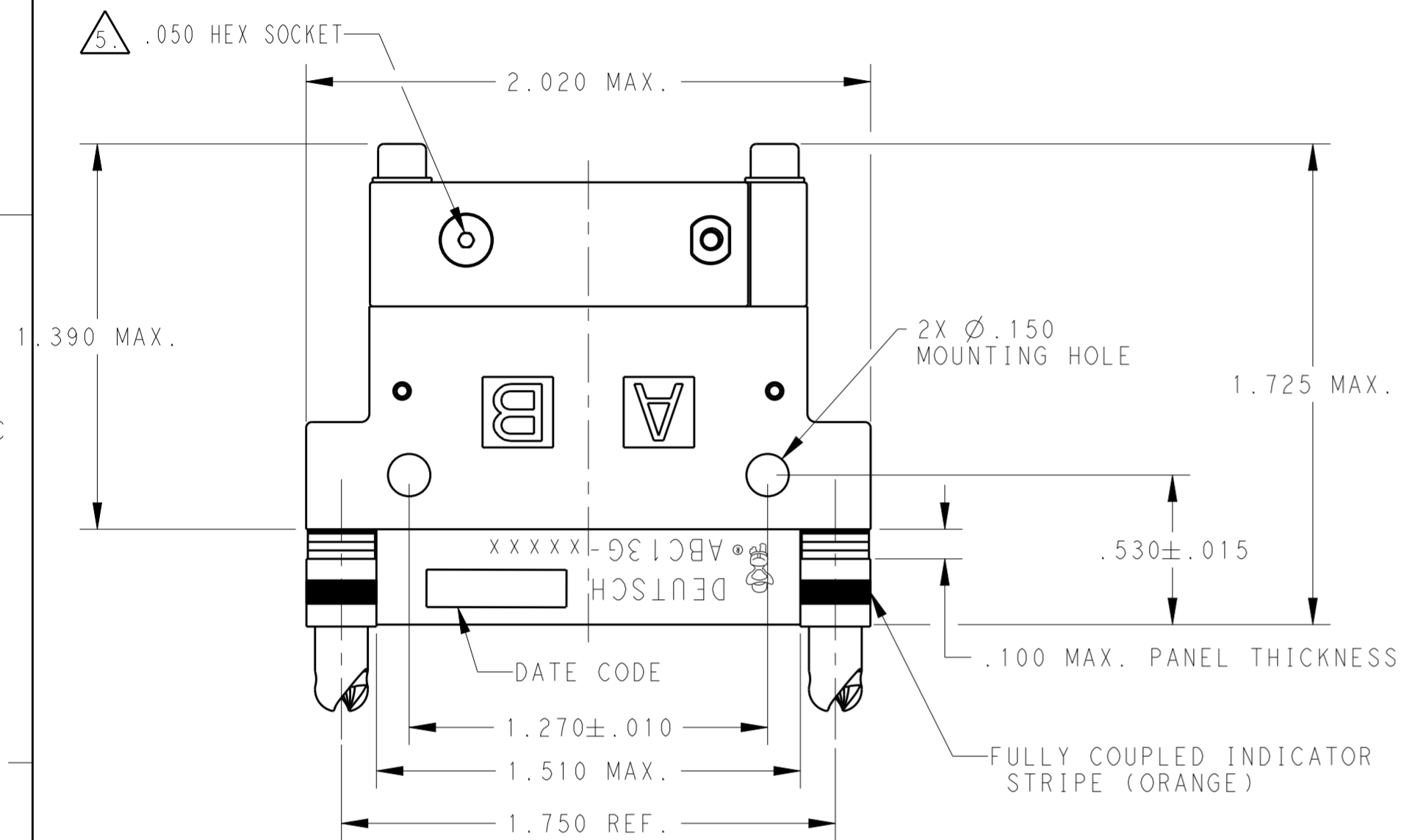
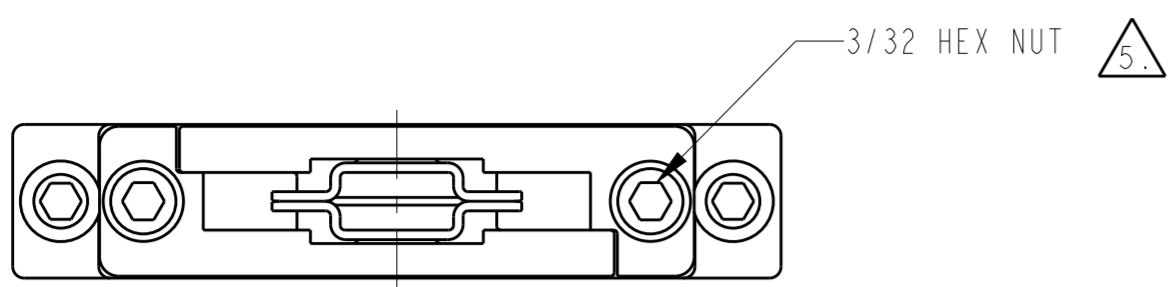


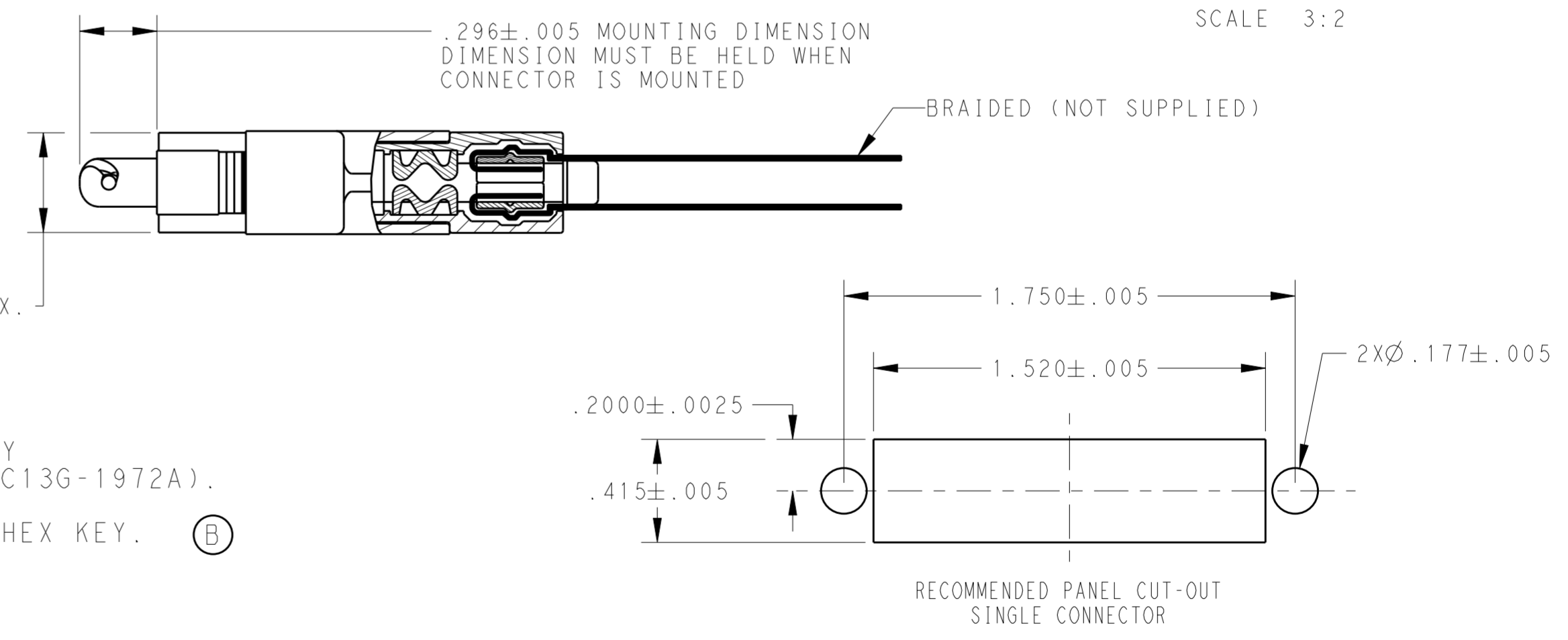
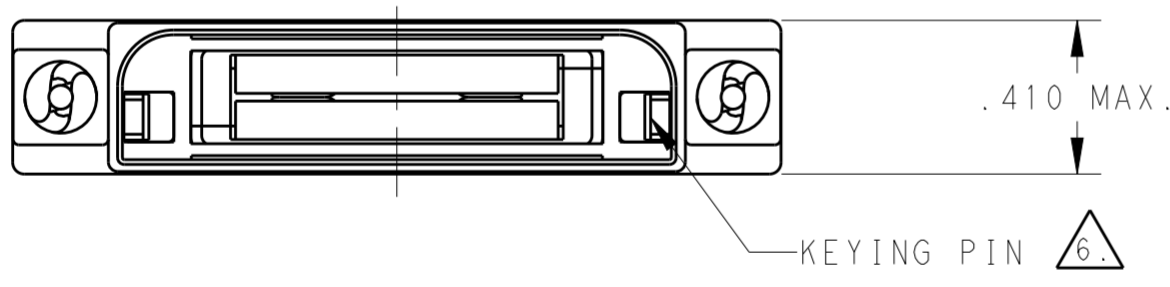
THIS DRAWING IS UNPUBLISHED. RELEASED FOR PUBLICATION 20  
 © COPYRIGHT 20 BY - ALL RIGHTS RESERVED.

PROPERTY OF THE TE CONNECTIVITY  
 THIS INFORMATION IS CONFIDENTIAL AND PROPERTY TO TYCO ELECTRONICS CORPORATION  
 AND ITS WORLDWIDE SUBSIDIARIES AND AFFILIATES (TE). IT MAY NOT BE DISCLOSED TO  
 ANYONE, OTHER THAN TE PERSONNEL, WITHOUT AUTHORIZATION FROM TE (www.TE.com).

LOC		DIST		REVISIONS			
P	LTR	DESCRIPTION	DATE	DWN	APVD		
1		NEW RELEASE PER E.O. C647	060727	AR	PL		
A		REVISED PER ECO-14-012947	150506	SS	MA		
B		REVISED PER ECO-16-014990	160826	BN	AR		



SCALE 3:2



- 7. ALL MOUNTING HARDWARE SUPPLIED WITH CONNECTOR.
  - $\triangle 6$  WHEN NO LETTER IS CALLED OUT, KEYING PINS ARE SHIPPED LOOSE AND INSTALLED BY CUSTOMER (EXAMPLE P/N: ABC13G-1972). IF LETTER A-Y IS CALLED OUT FACTORY INSTALLS THE KEYING PINS (EXAMPLE P/N: ABC13G-1972A).
  - $\triangle 5$  TOOLS REQUIRED (NOT SUPPLIED): .050 INCH HEX KEY AND 3/32 INCH HEX KEY.  $\odot B$
  - 4. FINISH: SHELL - DEUTSCH SPECIAL METALIZED SURFACE.  
 CONTACTS - GOLD OVER NICKEL
  - 3. MATERIAL: SHELL - COMPOSITE  
 MOUNTING HARDWARE - 300 SERIES STAINLESS STEEL  
 CONTACTS - COPPER ALLOY
  - 2. FOR AVAILABILITY, CONSULT FACTORY.
  - 1. DIMENSIONS ARE IN INCHES.
- NOTES: UNLESS OTHERWISE SPECIFIED

THIS DRAWING IS A CONTROLLED DOCUMENT.		DWN A. RASSMUSSON 060307	TE Connectivity	
DIMENSIONS: inches		CHK P. CARNAHAN 060327		
TOLERANCES UNLESS OTHERWISE SPECIFIED:		APVD A. RASSMUSSON 060727	NAME RECEPTACLE, ABC CONNECTOR STRAIGHT GROUNDING BACKSHELL QUARTER LOCK COUPLING	
0 PLC ±1 1 PLC ±.1 2 PLC ±.01 3 PLC ±.005 4 PLC ±.0005 ANGLES ±.5° FINISH		PRODUCT SPEC -	SIZE A2	CAGE CODE 11139
MATERIAL -		APPLICATION SPEC -	DRAWING NO ABC13G-xxxxx	RESTRICTED TO -
-		WEIGHT -	SCALE 1:1 SHEET 1 OF 1 REV B	
-		CUSTOMER DRAWING		