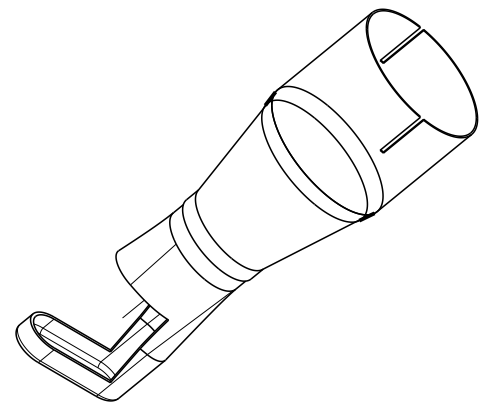
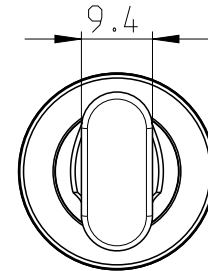
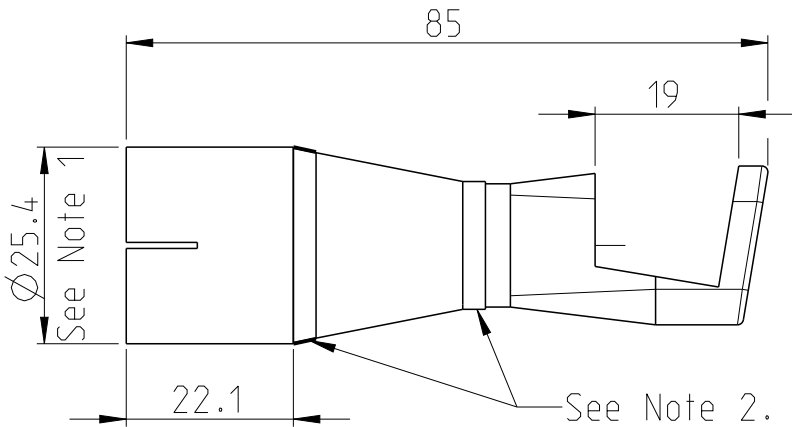


REVISIONS					
P	LTR	DESCRIPTION	DATE	DWN	APVD
	A	Initial release	02JUL2019	TC	UV



SCALE 4:5

NOTES:

1. Fit obtained for  $\varnothing 25.4$ mm gauge size.
2. Three part welded construction.

© 2019 TE Connectivity. All Rights Reserved.

DIMENSIONS: mm	DWN T.CORREIA	02JUL2019	MATERIAL	Stainless Steel	FINISH	-
	CHK P. VU	27AUG2019				
TOLERANCES UNLESS OTHERWISE SPECIFIED:	APVD U.VARMA	27AUG2019				
	PRODUCT SPEC	-	SIZE	CAGE CODE	DRAWING NO	RESTRICTED TO
	APPLICATION SPEC	-	A 4	06090	C=989523-000	-
0 PLC ± 1 PLC ± 2 PLC ± 3 PLC ± 4 PLC ± ANGLES ±	WEIGHT	21	SCALE	DNS	SHEET	1 OF 1
			CUSTOMER DRAWING		REV	A