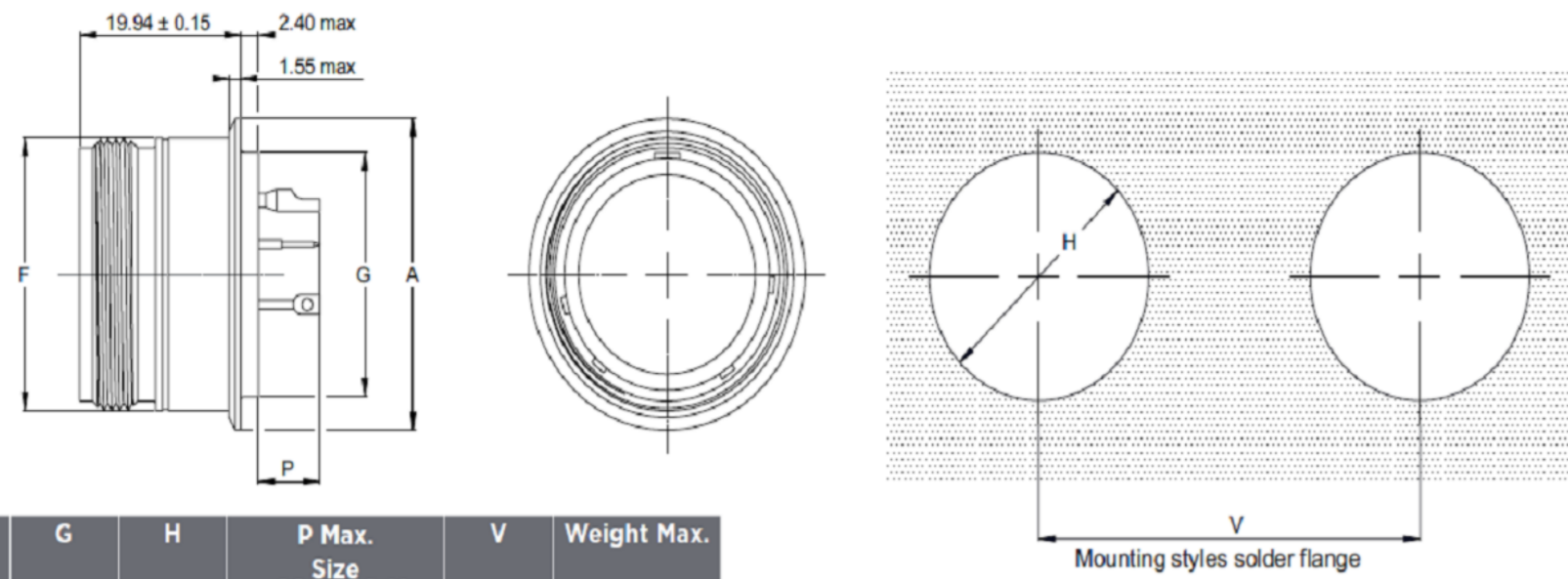


Receptacle Solder Round Flange

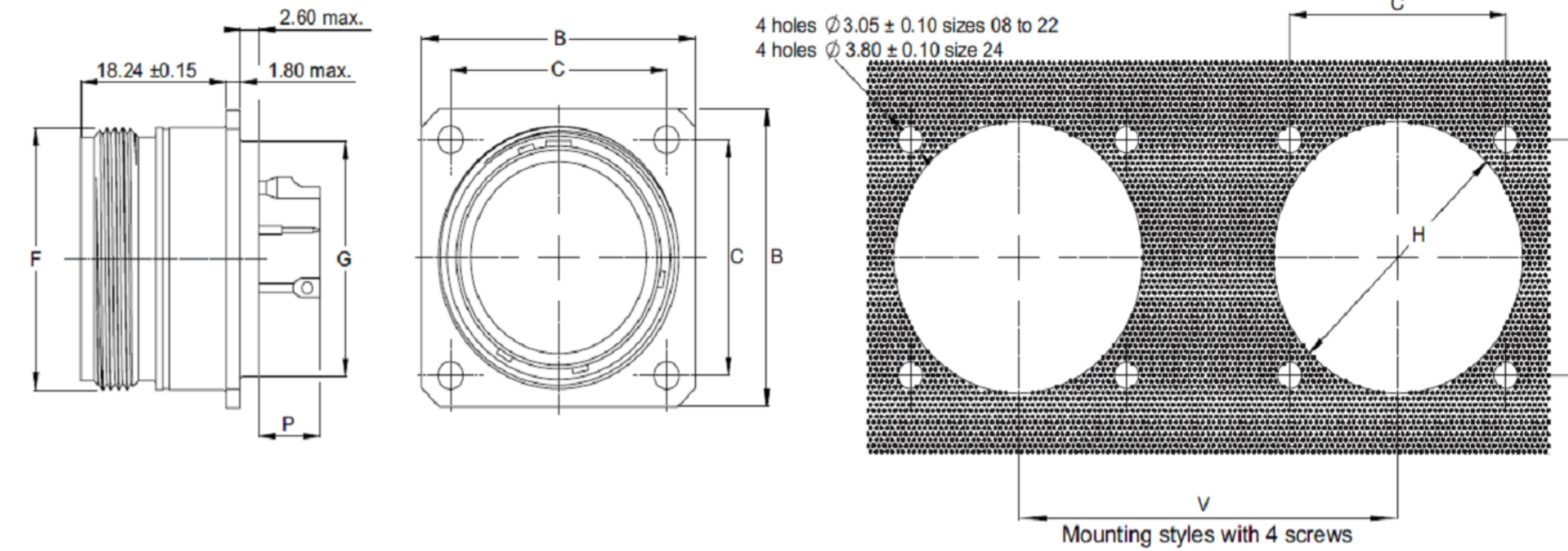
TYPE 1



Size	A +0 -0.2	F Max.	G Max.	H Min.	P Max. Size 20 16-12	V Min.	Weight Max. (g)
08	18.36 17.86	14.27	12.70	12.96	4.93 5.69	31.70	15
10	21.59 21.08	17.67	14.27	14.53	4.93 5.69	34.90	21
12	26.80 26.29	22.22	19.05	19.30	4.93 5.69	39.60	31
14	27.94 27.43	23.77	20.62	20.88	4.93 5.69	41.25	35
16	30.99 30.48	26.97	23.80	24.05	4.93 5.69	44.45	46
18	34.39 33.78	30.15	26.97	27.23	4.93 5.69	47.35	51
20	37.34 36.83	33.32	30.15	30.40	4.93 5.69	51.90	59
22	40.64 40.13	36.49	33.32	33.58	4.93 5.69	54.10	73
24	43.68 43.17	39.67	36.50	36.75	4.93 5.69	57.25	86

Receptacle Square Flange

TYPE 0



Size	B Max.	C ±0.05	F Max.	G Max.	H Min.	P max Size 20 16-12	V Min.	Weight Max. (g) stainless steel
08	20.75	15.09	14.27	12.70	15.80	4.93 5.69	31.70	18
10	23.93	18.26	17.67	14.27	18.70	4.93 5.69	34.90	24
12	26.32	20.62	22.22	19.05	23.40	4.93 5.69	39.60	31
14	28.71	23.01	23.77	20.62	24.90	4.93 5.69	41.25	40
16	31.88	24.61	26.97	23.80	28.30	4.93 5.69	44.45	49
18	34.24	26.97	30.15	26.97	31.10	4.93 5.69	47.35	54
20	36.63	29.36	33.32	30.18	34.50	4.93 5.69	51.90	62
22	39.80	31.75	36.49	33.32	37.50	4.93 5.69	54.10	77
24	43.39	34.92	39.67	36.53	40.60	4.93 5.69	57.25	88

Example of order: 983-1YE 22-55 PN

983- 1 YE 22- 55 P N

Connector type

Shell type

- 0 Square flange receptacle
- 1 Solder receptacle
- 7 Jam-nut receptacle

Connector model

Y-YE for receptacle only

Shell size

08 - 10 - 12 - 14 - 16 - 18 - 20 - 22 - 24 - 28

Arrangements : see section 2.2

Contact type

- P Male contact
- S Female contact, consult TE Technical Support

Insert clocking position

N - 6 - 7 - 8 - 9 - Y

CHARACTERISTIQUES

1. Shell material : Stainless steel
2. Insert material : Sintered Glass
3. Contact : Solder type, non removable, gold plating
4. Temperature range :
Y : -65°C to 200°C
YE : -65°C to 260°C cyclique
5. Dielectric withstanding voltage : At sea level
1500 Vrms 50 Hz mated connectors

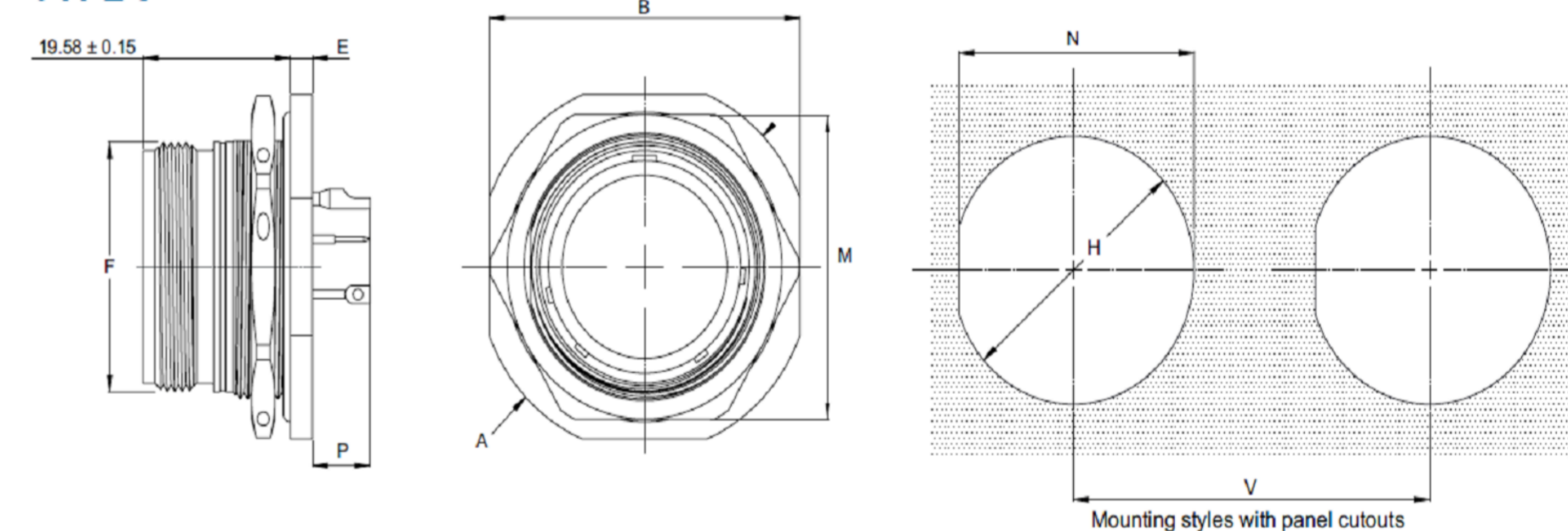
No Aluminum Hermetic according to EN2997 and ESC 10 specifications.
For any inquiry concerning Aluminum Hermetics, please consult TE Technical Support.

NOTE :

- Y = Stainless Hermetic
- YE = Stainless High Temp Hermetic

Receptacle Jam-Nut Mounting

TYPE 7



Size	A Max.	B Max.	E Max.	F Max.	H Min.	M Max.	N O -0.26	P Max. Size 20 16-12	V Min.	Weight Max. (g) Stainless steel	Tightening torque of panel nut
08	27.38	24.89	3.48	14.27	16.26	21.06	15.50	4.57 5.33	31.70	29	7 m.N max.
10	30.28	28.04	3.48	17.67	19.43	24.23	18.67	4.57 5.33	34.90	37	10 m.N max.
12	35.05	32.79	3.48	22.22	24.18	29.01	23.42	4.57 5.33	39.60	50	12 m.N max.
14	38.51	35.33	3.48	23.77	25.78	30.61	25.02	4.57 5.33	41.25	58	15 m.N max.
16	41.68	38.51	3.48	26.97	28.96	33.76	28.20	4.57 5.33	44.45	72	18 m.N max.
18	44.86	41.68	3.48	30.15	32.13	36.96	31.25	4.57 5.33	47.35	79	22 m.N max.
20	49.63	44.86	3.48	33.32	35.31	40.11	34.42	4.57 5.33	51.90	87	25 m.N max.
22	52.78	49.63	3.76	36.49	38.48	43.31	37.59	4.29 5.05	54.10	108	27 m.N max.
24	55.42	52.81	3.76	39.67	41.66	46.46	40.77	4.29 5.05	57.25	122	29 m.N max.

DIMENSIONS: MM	TOLERANCES UNLESS OTHERWISE SPECIFIED: 0 PLC ±- 1 PLC ±-0.05 2 PLC ±-0.05 3 PLC ±-0.02 4 PLC ±-
ANGLES ±°	
SURFACE TEXTURE	

DWN LAKSHMI SUDHA R	MATERIAL -	HEAT TREAT -
CHK RAKESH S		
APVD VINCENT P		
NAME 983 SERIES HERMETIC RECEPTACLES		
SCALE 2:1	SIZE A2	DRAWING NO 983-XY+ ++
SHEET 1 OF 1	REV A	