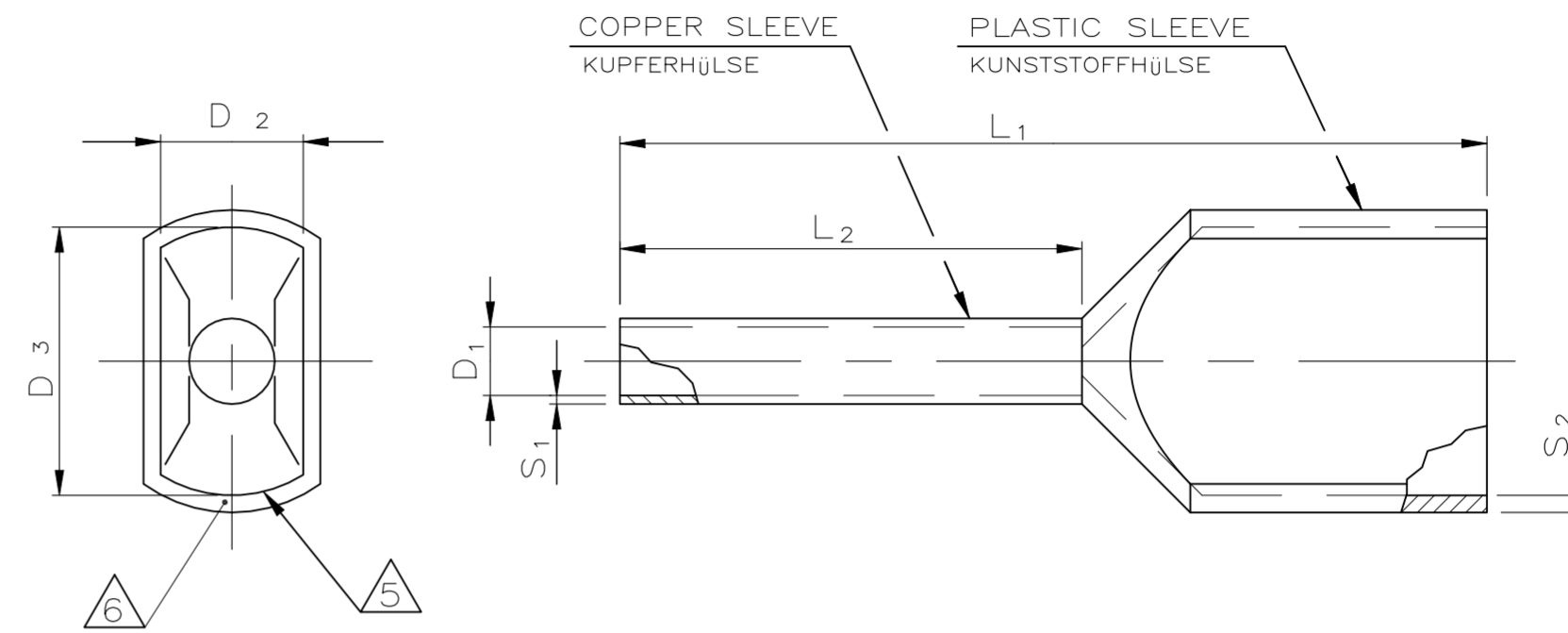


REVISIONS					
P	LTR	DESCRIPTION	DATE	DWN	APVD
	A3	REVISED PER ECR-23-166943	02MAR2023	BB	DSC

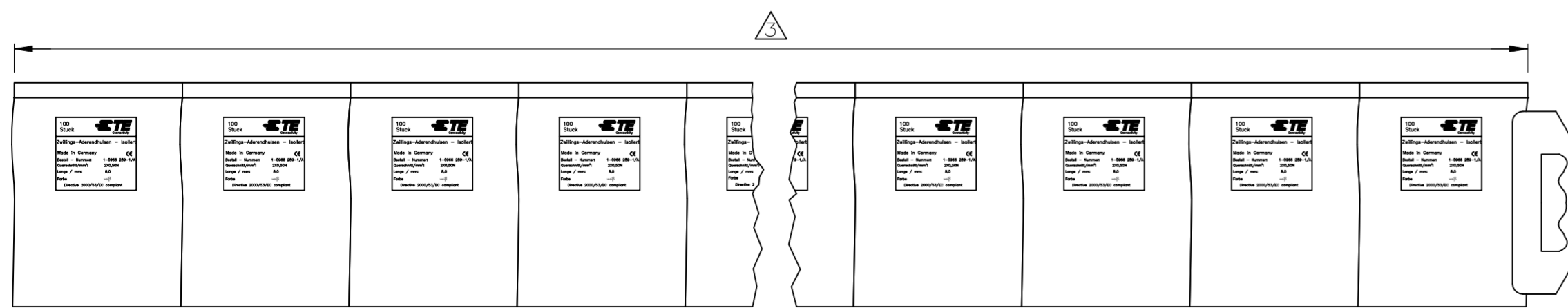
PART NO. BESTELL-NR.	SIZE		RECOMMENDED STRIP LENGTH ABSOLUTIER- LÄNGE /mm	COLOUR FARBE △	D ₁ /mm	D ₂ /mm	D ₃ /mm	L ₁ /mm	L ₂ /mm	S ₁ /mm	△ S ₂ /mm	COLOUR TYPE FARB- REIHE △	PACKAGE QTY VERPACKUNGS- EINHEIT PIECES PER STRIP STÜCK PRO STREIFEN
	mm ²	AWG △											
966 289-1	2x0.50	2x20	12.5+0.5	WHITE WEISS	1.40 ±0.14	2.50 ±0.2	4.70 ±0.4	15.0 ±1.5	8.00 ±0.6	0.15 ±0.05	0.25 ±0.10	1/DIN	1000
966 289-2	2x0.75	2x18	12.5+0.5	GREY GRAU	1.70 ±0.25	2.80 ±0.2	5.00 ±0.4	15.0 ±1.5	8.00 ±0.6	0.15 ±0.05	0.25 ±0.10	DIN	1000
966 289-8	2x2.50	2x14	14.5+0.5	BLUE BLAU	2.80 ±0.25	4.20 ±0.2	7.80 ±0.4	18.5 ±1.5	10.0 ±0.6	0.20 ±0.05	0.30 ±0.10	2/DIN	1000
966 289-9	2x2.50	2x14	17.5+0.5	BLUE BLAU	2.80 ±0.25	4.20 ±0.2	7.80 ±0.4	21.5 ±2.0	13.0 ±0.6	0.20 ±0.05	0.30 ±0.10	2/DIN	1000
1-966 289-4	2x0.5	2x20	12.5+0.5	ORANGE ORANGE	1.40 ±0.14	2.50 ±0.2	4.70 ±0.4	15.0 ±1.5	8.00 ±0.6	0.15 ±0.05	0.25 ±0.10	2	1000
1-966 289-5	2x0.75	2x18	12.5+0.5	BLUE BLAU	1.70 ±0.25	2.80 ±0.2	5.00 ±0.4	15.0 ±1.5	8.00 ±0.6	0.15 ±0.05	0.25 ±0.10	1	1000
1-966 289-6	2x0.75	2x18	12.5+0.5	WHITE WEISS	1.70 ±0.25	2.80 ±0.2	5.00 ±0.4	15.0 ±1.5	8.00 ±0.6	0.15 ±0.05	0.25 ±0.10	2	1000
1-966 289-7	2x0.75	2x18	14.5+0.5	BLUE BLAU	1.70 ±0.25	2.80 ±0.2	5.00 ±0.4	17.0 ±1.5	10.0 ±0.6	0.15 ±0.05	0.25 ±0.10	1	1000
1-966 289-8	2x0.75	2x18	14.5+0.5	WHITE WEISS	1.70 ±0.25	2.80 ±0.2	5.00 ±0.4	17.0 ±1.5	10.0 ±0.6	0.15 ±0.05	0.25 ±0.10	2	1000
1-966 289-9	2x1.00	2x18	12.5+0.5	YELLOW GELB	1.95 ±0.25	3.40 ±0.2	5.40 ±0.4	15.0 ±1.5	8.00 ±0.6	0.15 ±0.05	0.30 ±0.10	2	1000
2-966 289-0	2x1.00	2x18	14.5+0.5	YELLOW GELB	1.95 ±0.25	3.40 ±0.2	5.40 ±0.4	17.0 ±1.5	10.0 ±0.6	0.15 ±0.05	0.30 ±0.10	2	1000
2-966 289-3	2x2.50	2x14	14.5+0.5	GREY GRAU	2.80 ±0.25	4.20 ±0.2	7.80 ±0.4	18.5 ±1.5	10.0 ±0.6	0.20 ±0.05	0.30 ±0.10	1	1000
2-966 289-4	2x2.50	2x14	17.5+0.5	GREY GRAU	2.80 ±0.25	4.20 ±0.2	7.80 ±0.4	21.5 ±2.0	13.0 ±0.6	0.20 ±0.05	0.30 ±0.10	1	1000



- △1 THE AWG CROSS-SECTION CAN DIFFER SLIGHTLY FROM THE DIN-STANDARD CROSS-SECTION VALUES.
- 2 NOTE DELETED
- △3 PARTS PACKED IN PLASTIC BAG. HANGER STRIPS OF 10 BAGS, 100 PIECES EACH
- △4 COLOUR TYPE 1: COLOURS PER FRENCH STANDARD
COLOUR TYPE 2: COLOURS PER GERMAN STANDARD
COLOUR TYPE DIN: COLOURS PER DIN 46228 PART 4
- △5 MAX.INSULATION DIA. OF WIRE: 0.5xD₃ MIN. -0.1
- △6 0.6MM ALLOWABLE MOLDING FLASH PRESENT ON THIS SURFACE

- △7 MATERIAL:
METAL SLEEVE - COPPER
PLASTIC SLEEVE - POLYPROPYLENE
- △8 FINISH:
METAL SLEEVE - TIN PLATE 3µm MIN THICKNESS
PLASTIC SLEEVE COLOR - SEE TABLE
- 9 MAXIMUM RECOMMENDED TEMPERATURE 105°C

PACKAGING AND LABELING



SHOWN IS HANGER STRIP PACKING WITH STANDARD LABEL INFORMATION

THIS DRAWING IS A CONTROLLED DOCUMENT.		DWN R.SCHMIDT 23-SEP-93		
DIMENSIONS: mm		CHK W.BÖCK 15-JUN-94		
TOLERANCES UNLESS OTHERWISE SPECIFIED: 0 PLC ± - 1 PLC ± - 2 PLC ± - 3 PLC ± - 4 PLC ± - ANGLES / WINKEL ± -		APVD G.FELDMEIER 29-NOV-00	NAME WIRE FERRULE WITH PLASTIC SLEEVE, DOUBLE CONDUCTOR, HANGER STRIP PACKING DIN, FRENCH & GERMAN COLOR CODING	
MATERIAL △	FINISH △8	PRODUCT SPEC -	APPLICATION SPEC -	RESTRICTED TO -
CUSTOMER DRAWING		WEIGHT -	SIZE A2	CAGE CODE 00779
		DRAWING NO C=966289	SCALE -	
		SHEET 1	REV A3	