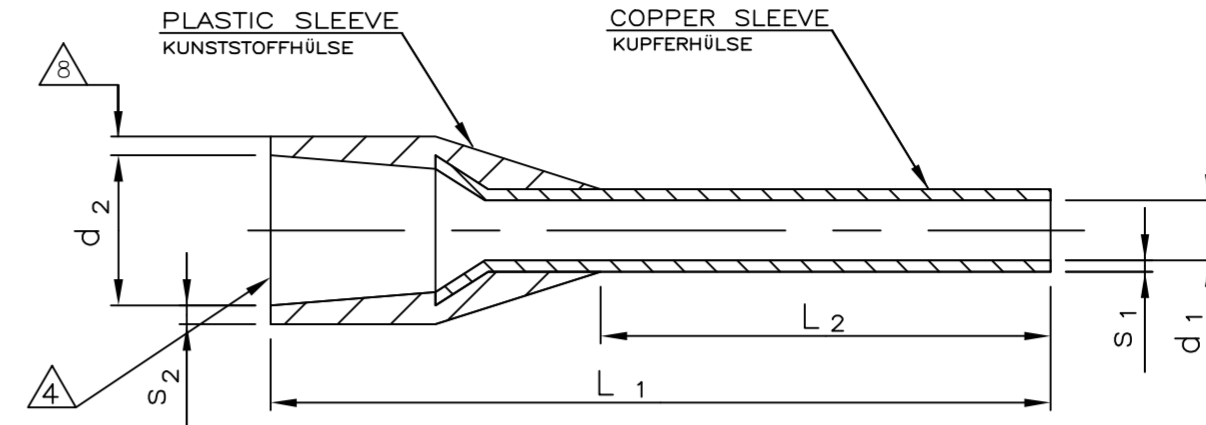


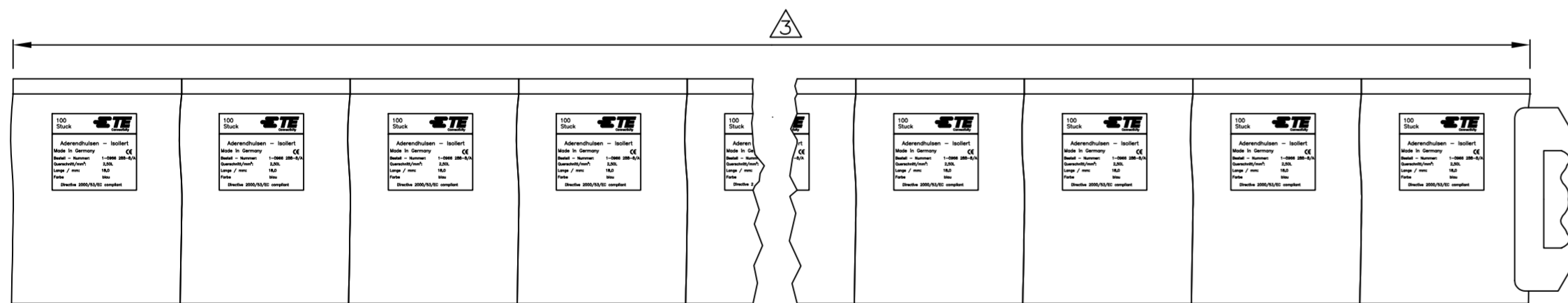
P	LTR	DESCRIPTION	DATE	DWN	APVD
A6		REVISED PER ECR-23-166943	02MAR2023	BB	DSC



PART NO BESTELL-NR.	SIZE		RECOMMENDED STRIP LENGTH ABISOLIER-LÄNGE /mm	MINIMUM PULL-OUT STRENGTH STRAND CONDUCTOR /N	COLOUR FARBE	d ₁ /mm	d ₂ /mm	L ₁ /mm	L ₂ /mm	s ₁ /mm	s ₂ /mm	COLOR TYPE	PACKAGE QTY VERPACKUNGS-EINHEIT PARTS/STÜCK STRIP/STREIFEN
	mm ²	AWG											
966 288-4	0.75	18	8.5+0.2	30	GREY GRAU	1.2 +0.14	2.8 ±0.2	12.0 ±1.5	6.0 ±0.4	0.15 ±0.05	0.25 ±0.1	DIN	1000
1-966 288-0	1.00	18	12.5+0.2	35	RED ROT	1.4 +0.14	3.0 ±0.2	16.0 ±1.5	10.0 ±0.4	0.15 ±0.05	0.25 ±0.1	1/DIN	1000
1-966 288-1	1.00	18	14.5+0.2	35	RED ROT	1.4 +0.14	3.0 ±0.2	18.0 ±1.5	12.0 ±0.6	0.15 ±0.05	0.25 ±0.1	1/DIN	1000
1-966 288-3	1.50	16	12.5+0.2	40	BLACK SCHWARZ	1.7 +0.25	3.5 ±0.2	16.0 ±1.5	10.0 ±0.4	0.15 ±0.05	0.25 ±0.1	1/DIN	1000
1-966 288-4	1.50	16	14.5+0.2	40	BLACK SCHWARZ	1.7 +0.25	3.5 ±0.2	18.0 ±1.5	12.0 ±0.6	0.15 ±0.05	0.25 ±0.1	1/DIN	1000
1-966 288-5	1.50	16	20.5+0.2	40	BLACK SCHWARZ	1.7 +0.25	3.5 ±0.2	24.0 ±2.0	18.0 ±0.6	0.15 ±0.05	0.25 ±0.1	1/DIN	1000
1-966 288-8	2.50	14	20.5+0.2	50	BLUE BLAU	2.2 +0.25	4.2 ±0.2	24.0 ±2.0	18.0 ±0.6	0.15 ±0.05	0.25 ±0.1	2/DIN	1000
2-966 288-1	4.00	12	20.5+0.2	60	GREY GRAU	2.8 +0.25	4.8 ±0.4	26.0 ±2.0	18.0 ±0.6	0.20 ±0.05	0.30 ±0.1	2/DIN	1000

PACKAGING AND LABELING

SHOWN IS HANGER STRIP PACKING WITH STANDARD LABEL INFORMATION



1 THE AWG CROSS-SECTION CAN DIFFER SLIGHTLY FROM THE DIN-STANDARD CROSS-SECTION VALUES

2 NOTE DELETED

3 PARTS PACKED IN PLASTIC BAG HANGER STRIPS OF 10 BAGS, 100 PIECES EACH

4 MAX. INSULATION-DIA. OF WIRE: d₂ MIN.- 0.1

5 PARTS PER DIN 46228 PART 4
COLOUR TYPE 1: COLOUR PER FRENCH STANDARD
COLOUR TYPE 2: COLOUR PER GERMAN STANDARD
COLOUR TYPR DIN: COLOUR PER DIN 46228 PART 4

6. NOTE DELETED

7. NOTE DELETED.

8 0.6MM ALLOWABLE MOLDING FLASH PRESENT IN THIS ZONE.

9 MATERIAL:
METAL SLEEVE - COPPER
PLASTIC SLEEVE - POLYPROPYLENE

10 FINISH:
METAL SLEEVE - TIN PLATE 3µm MIN THICKNESS
PLASTIC SLEEVE COLOR - SEE TABLE

11. MAXIMUM RECOMMENDED TEMPERATURE 105°C

THIS DRAWING IS A CONTROLLED DOCUMENT.		DWN R. SCHMIDT 23SEP1993																				
DIMENSIONS: mm		CHK W.BoCK 15JUN1994																				
TOLERANCES UNLESS OTHERWISE SPECIFIED:		APVD G. FELDMEIER 12SEP2000	NAME WIRE FERRULE WITH PLASTIC SLEEVE, SINGLE CONDUCTOR, DIN 46228 PART 4, HANGER STRIP PACKING DIN, FRENCH & GERMAN COLOR CODING																			
<table border="1"> <tr><td>0 PLC</td><td>±</td><td>-</td></tr> <tr><td>1 PLC</td><td>±</td><td>-</td></tr> <tr><td>2 PLC</td><td>±</td><td>-</td></tr> <tr><td>3 PLC</td><td>±</td><td>-</td></tr> <tr><td>4 PLC</td><td>±</td><td>-</td></tr> <tr><td>ANGLES</td><td>±</td><td>-</td></tr> </table>		0 PLC	±	-	1 PLC	±	-	2 PLC	±	-	3 PLC	±	-	4 PLC	±	-	ANGLES	±	-	PRODUCT SPEC -	SIZE A2	RESTRICTED TO -
0 PLC	±	-																				
1 PLC	±	-																				
2 PLC	±	-																				
3 PLC	±	-																				
4 PLC	±	-																				
ANGLES	±	-																				
MATERIAL 9		FINISH 10	APPLICATION SPEC -	CAGE CODE 00779																		
CUSTOMER DRAWING		WEIGHT -	DRAWING NO C=966288	SCALE NTS																		
		SHEET 1 of 1		REV A6																		