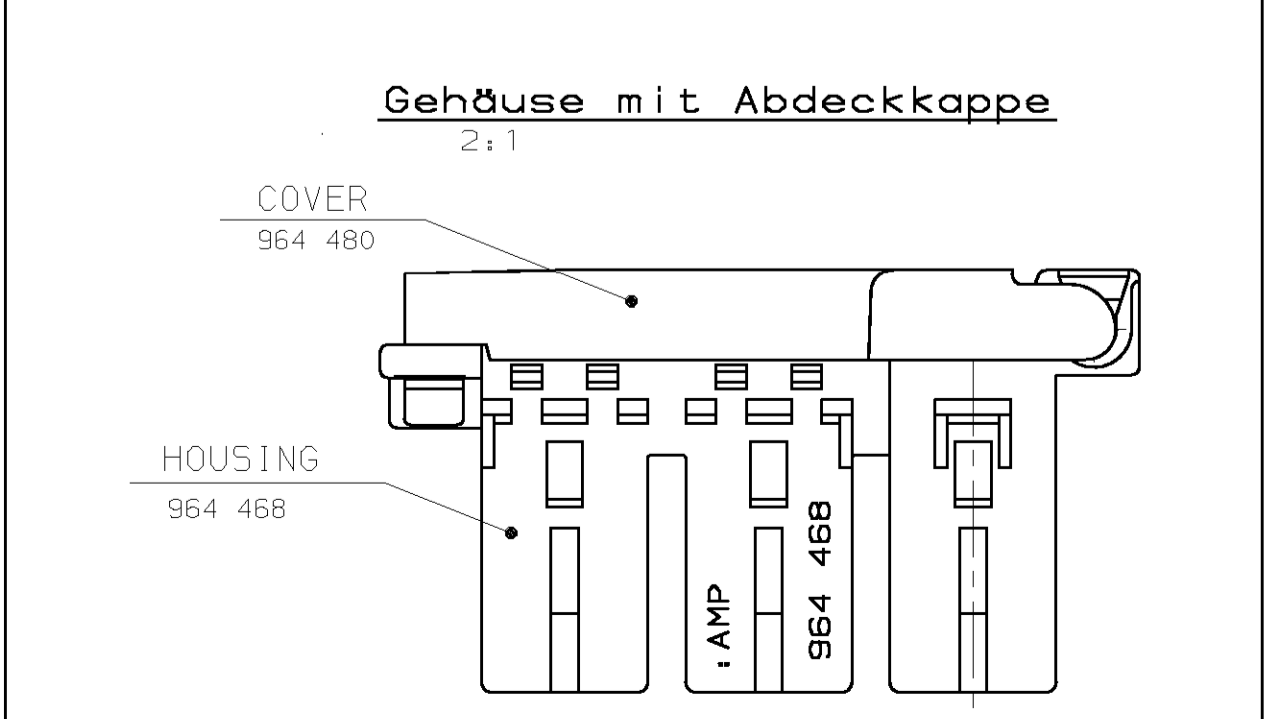
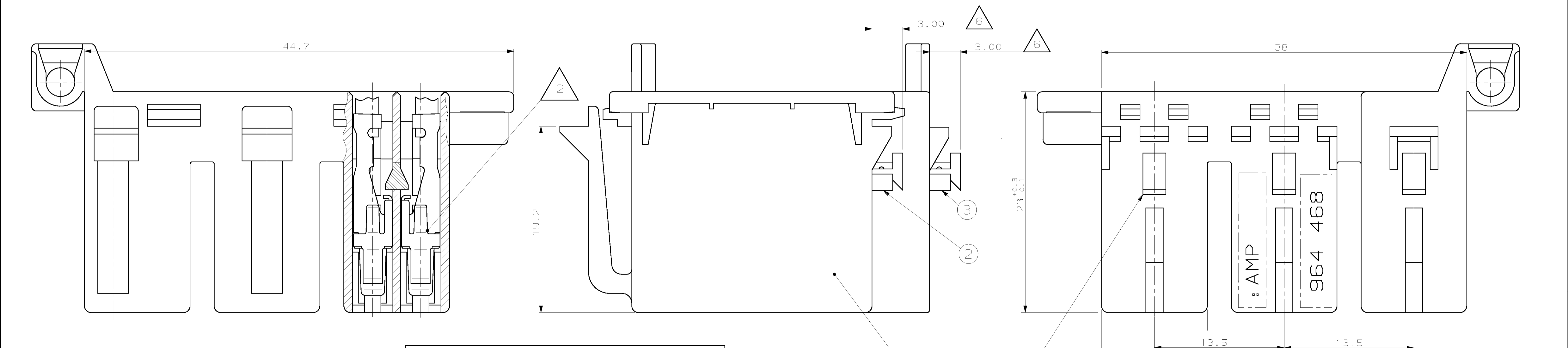
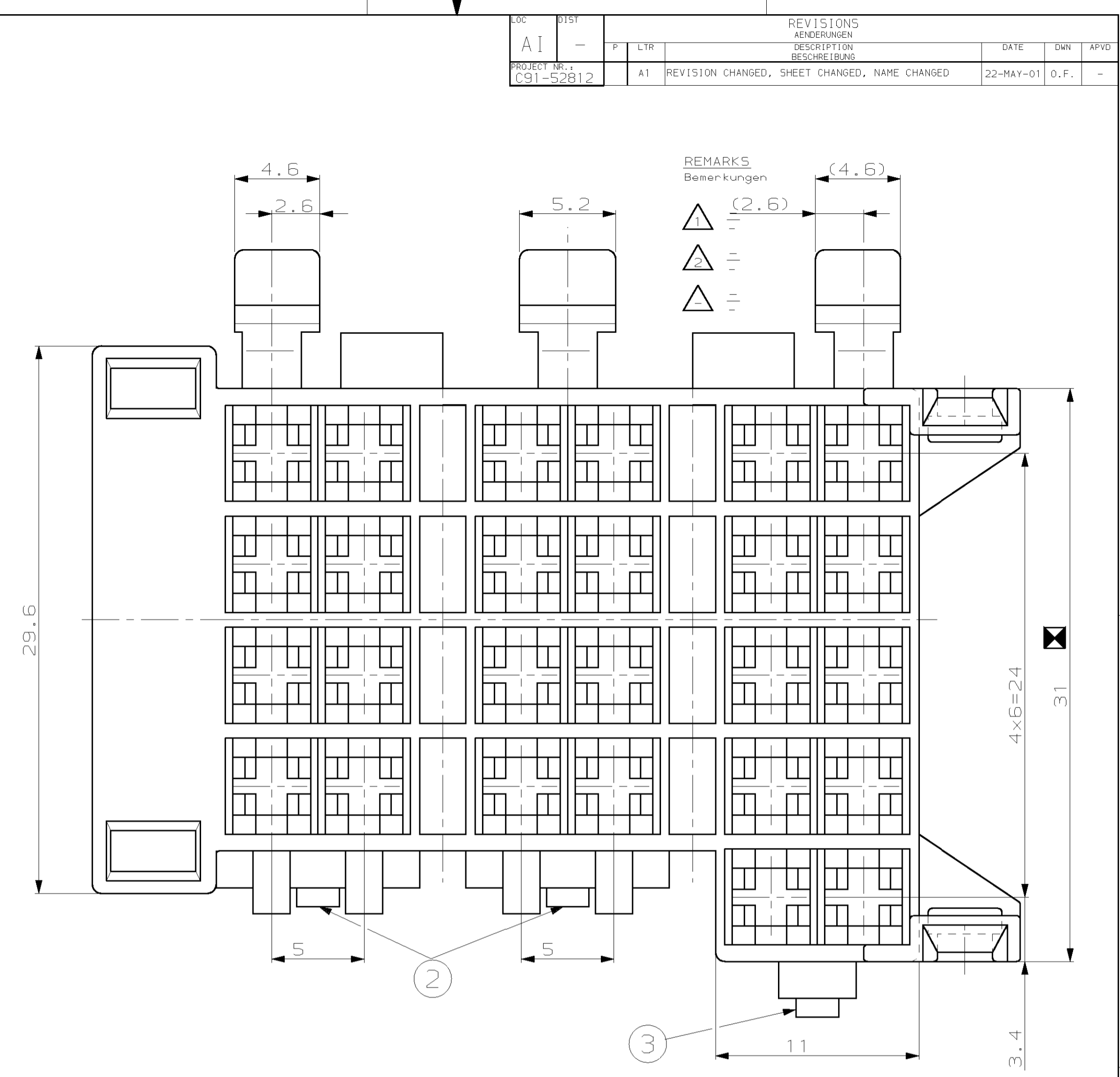


- Bemerkungen:**
REMARKS:
- ① Geeigneter Kontakt für Quick-Out Anwendung
Bestell.-Nr.: 928 876-1 (10.000 Steckzyklen)
USE JPT-CONTACT PN 928 876-1 FOR
CAR-RADIO-RETRACT (QUICK-OUT) FOR
10.000 MATING CYCLES
 - ② Bei 2. Kontaktsicherung orientierte Steckung nötig
IF SECOND LOCKING-DEVICE IS USED
MATE CONTACTS ORIENTATED
 - ③ Position der 2. Kontaktsicherung
POSITION FOR SECOND LOCKING-DEVICE (RETAINER)
 - ④ JPT-Kontakt für Standard-Anwendung (20 Steckzyklen)
JPT-CONTACT FOR STANDARD APPLICATION (20 MATING CYCLES)
 - ⑤ Geeignet für Blechdicke 0.6±0.05 mm
METALL THICKNESS 0.6±0.05 MM
 - ⑥ Kontaktsicherung vorverrastet
LOCKING-DEVICE PRE-LOCKED



tyco Assy PART NO	tyco PART NO	REV.	PCS.	MATERIAL	SURFACE COLOR	DESCRIPTION	ITEM NO
-	-	-	-	-	-	-	①
966 237-1	-	1	PA 6.6	gelb		Retainer	②
-	-	2	PA 6.6	gelb		Retainer	③
-	964 468-1	1	PA 6.6	grau		Gehäuse	④

THIS DRAWING IS UNCLASSIFIED UNLESS THE REV. INDICATED IS SUBJECT TO CHANGE AND THE CONTROLLING ENGINEER HAS AUTHORITY TO CHANGE OR CONTROL FOR THE LATEST REVISION. THESE REVISIONS SHOULD BE CONTROLLED BY THE LATEST REVISION. APPROVALS FOR THE REVISIONS SHOULD BE OBTAINED FROM THE PERSONNEL DESIGNATED FOR THIS PURPOSE.

DIMENSIONS: TOLERANCES UNLESS OTHERWISE SPECIFIED, ALL DIMENSIONS IN MILLIMETERS. FINISH/SURFACE COLOR/FARBE

DATE	19.11.91
DESIGNER	P. Kohl
CHK	
APPV	
PRODUCT SPEC	26 POS. JPT HOUSING, WITH RETAINER
PRODUCT SPEC	26pol. JPT Gehäuse mit 2. Kontaktsicherung
APPLICATION SPEC	
VERARBEITUNGSSPEZ.	
SIZE	A1
CAGE CODE	00779
DRAWING NO	966237
TECHNISCHE-NR.	
RESTRICTED TO	NO
WEIGHT	
REVISIONS	
DATE	22-MAY-01
BY	O.F.
APPROVED	

AMP tyco Electronics AMP GmbH
D - 64625 Bensheim

CUSTOMER DRAWING /KUNDENZEICHNUNG

Blatt 5:1 von 1