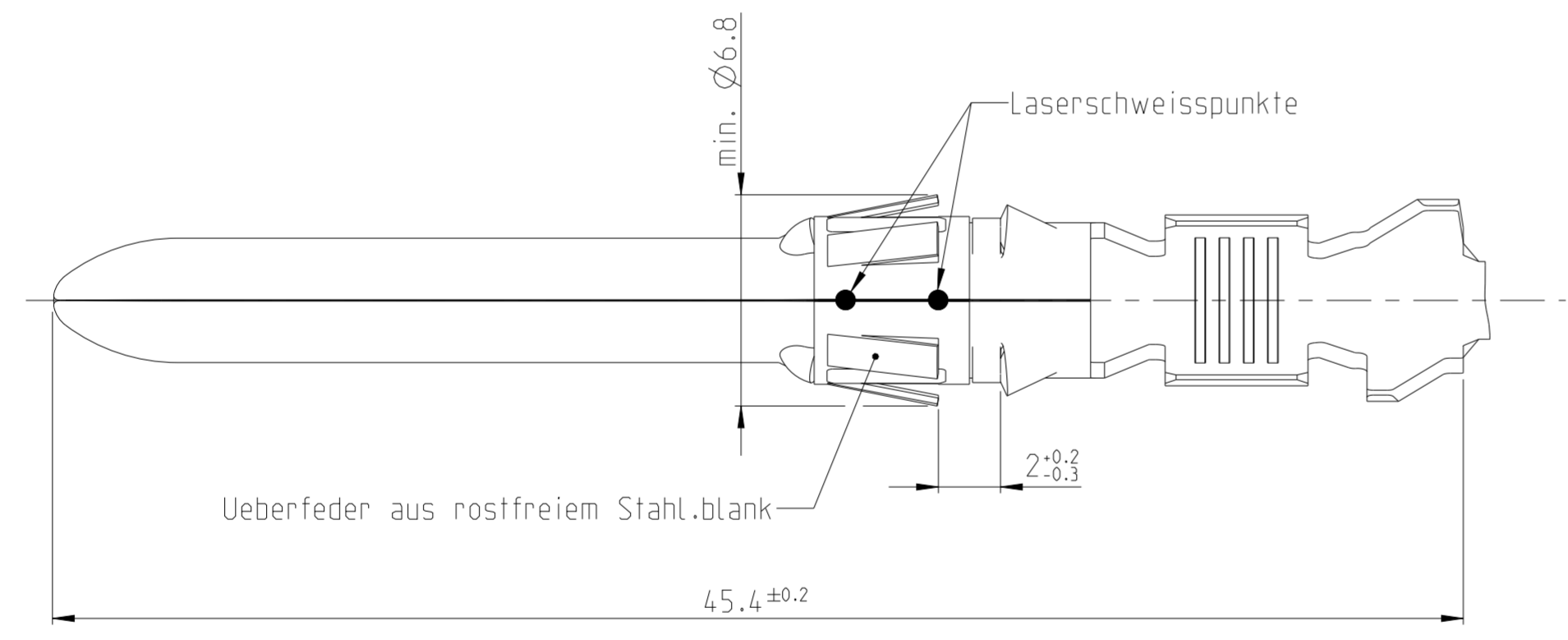
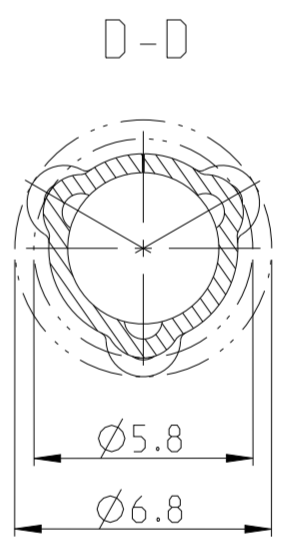
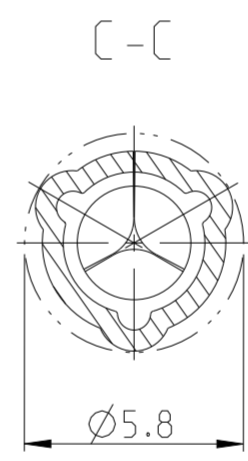
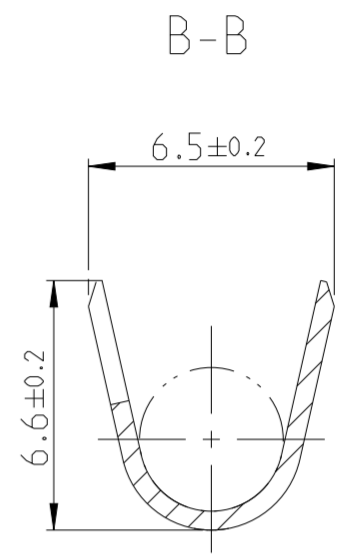
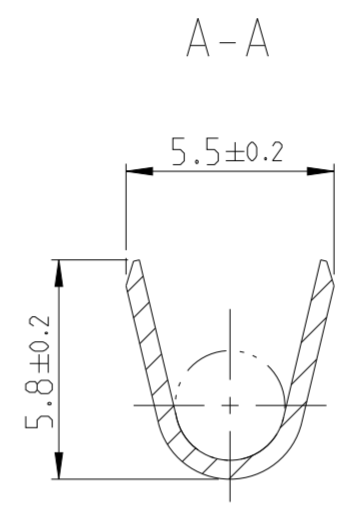
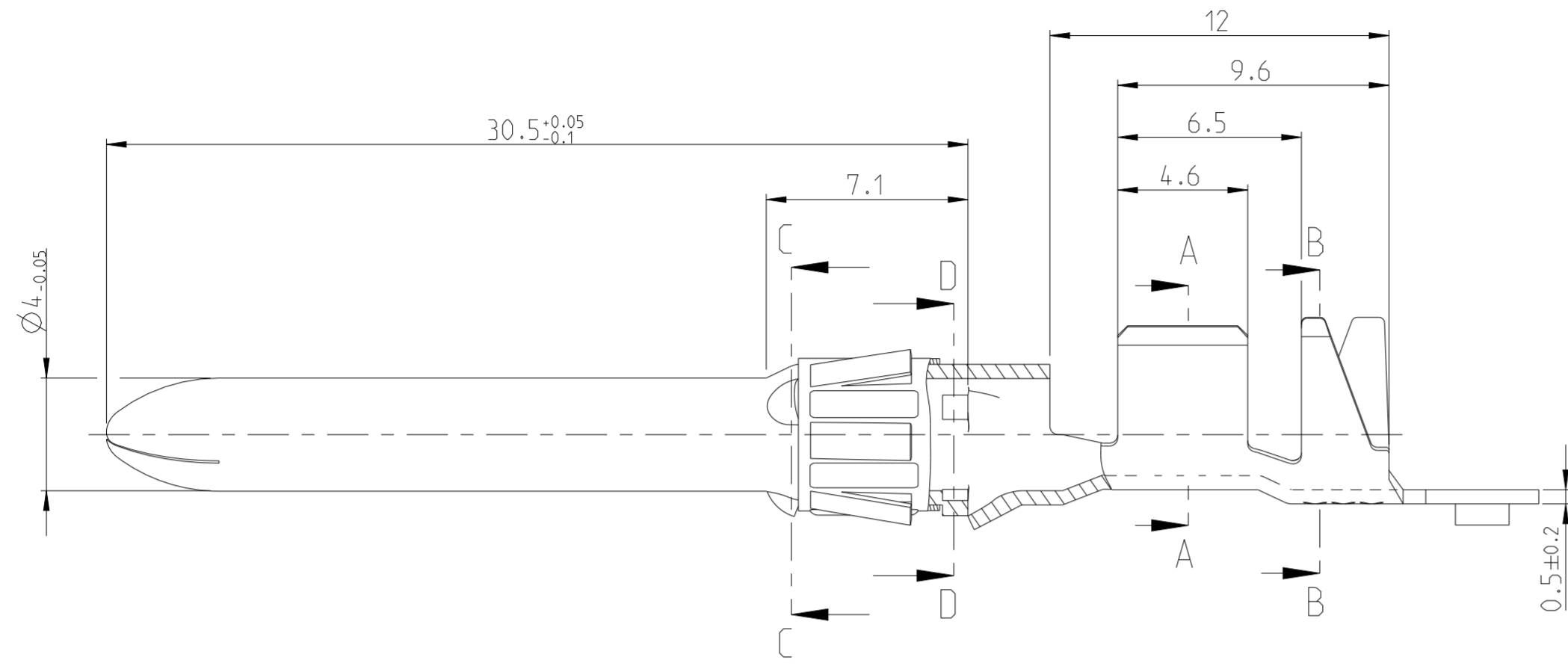


P	LTR	DESCRIPTION	DATE	DWN	APVD
	E1	AutoCAD to Creo	29 JUL 2019	MN	MN

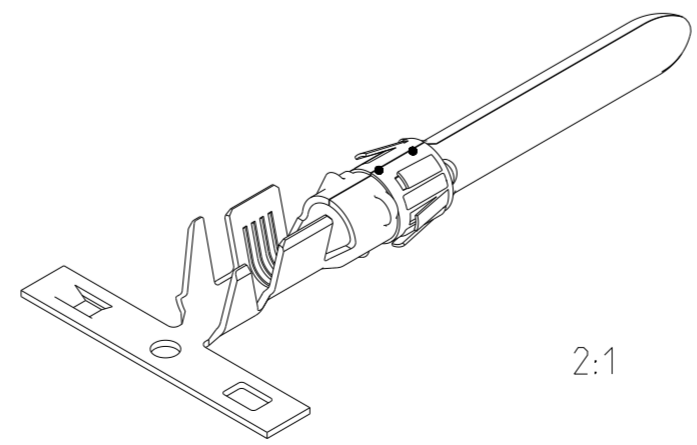


Ueberfeder aus rostfreiem Stahl.blank

- 1. Verarbeitungsspezifikation 114-18072
- 2. Produktspezifikation 108-18304

Drahtquerschnittsbereich: >4.0 bis 6.0mm<sup>2</sup>

0-965859-1	0-965847-1	E
LP-NO.	PART NO.	REV.



THIS DRAWING IS A CONTROLLED DOCUMENT.		DWN TRAJKOV 04 AUG 1992	<b>STE</b> TE Connectivity																
		CHK LUTSCH 04 AUG 1992																	
DIMENSIONS: mm	TOLERANCES UNLESS OTHERWISE SPECIFIED:	APVD -	NAME DIA. 4mm PIN CONTACT Dia 4mm Stiftkontakt																
	<table border="1"> <tr><td>Ø PLC</td><td>±</td><td>±0.15</td></tr> <tr><td>1 PLC</td><td>±</td><td>±</td></tr> <tr><td>2 PLC</td><td>±</td><td>±</td></tr> <tr><td>3 PLC</td><td>±</td><td>±</td></tr> <tr><td>4 PLC</td><td>±</td><td>±</td></tr> </table>	Ø PLC	±	±0.15	1 PLC	±	±	2 PLC	±	±	3 PLC	±	±	4 PLC	±	±	PRODUCT SPEC -	SIZE A2	
Ø PLC	±	±0.15																	
1 PLC	±	±																	
2 PLC	±	±																	
3 PLC	±	±																	
4 PLC	±	±																	
MATERIAL CuNiZn	FINISH BLANK	APPLICATION SPEC -	CAGE CODE 00779	DRAWING NO 0-965847															
		WEIGHT -	RESTRICTED TO																
		CUSTOMER DRAWING	SCALE 5:1	SHEET 1 OF 1															
			REV E1																