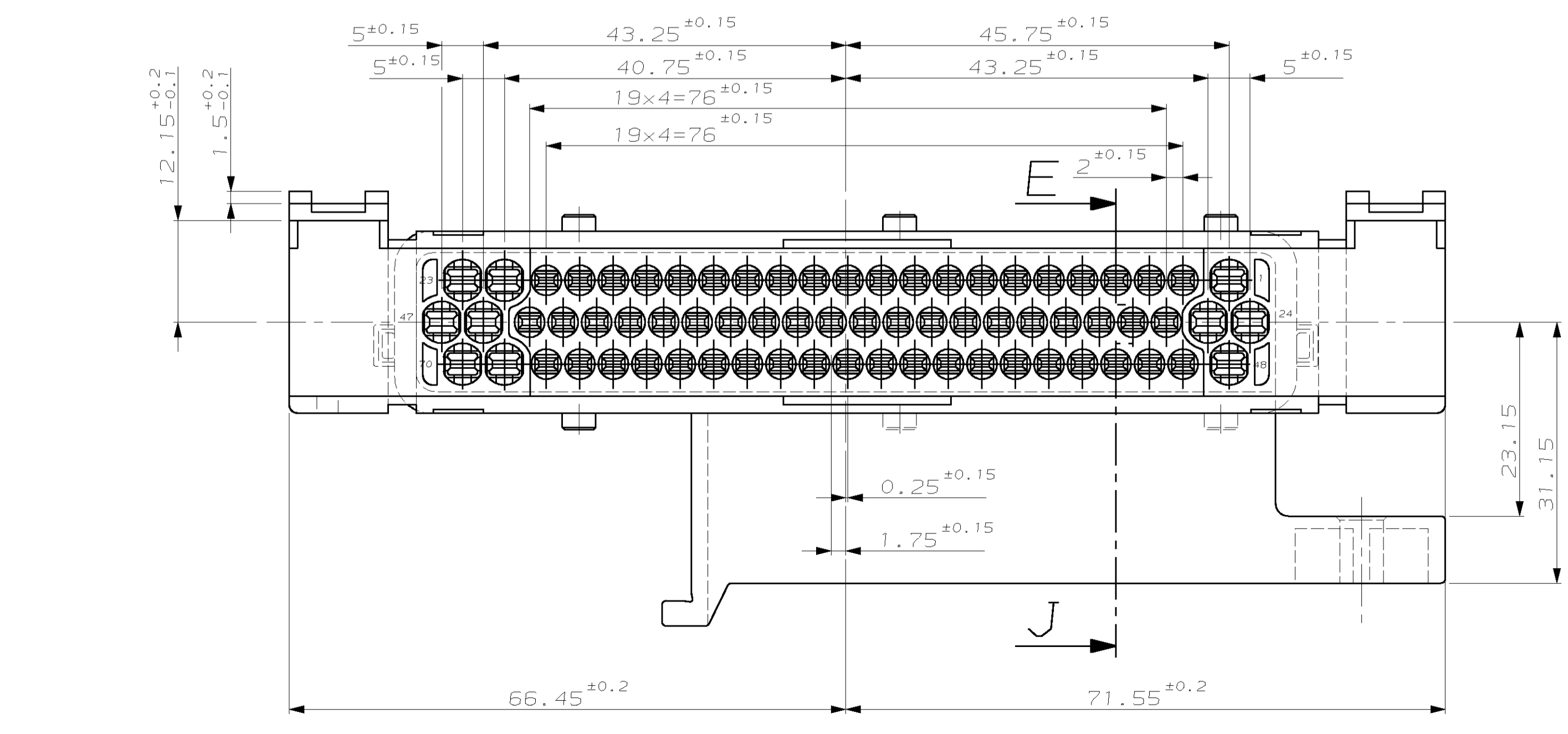
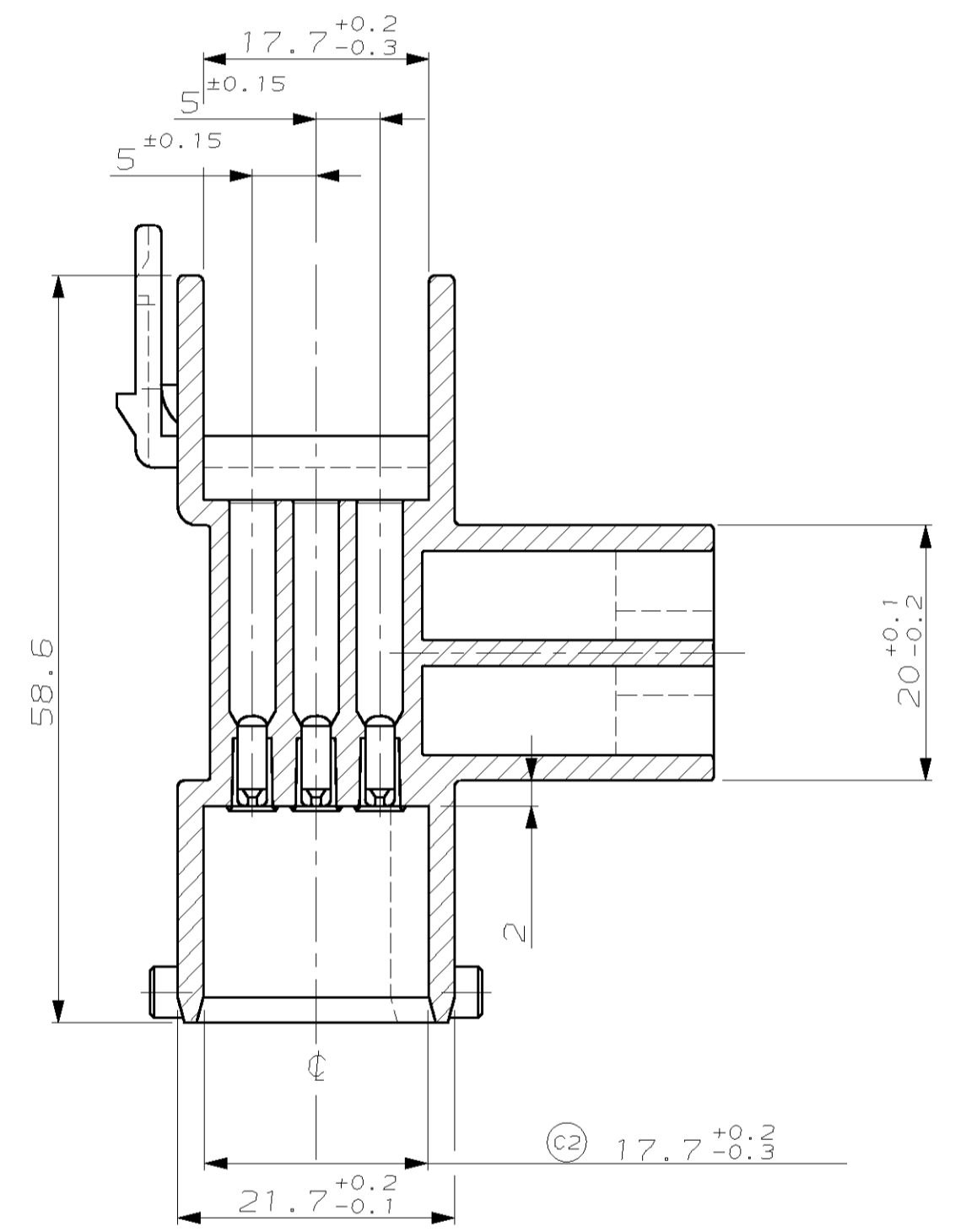
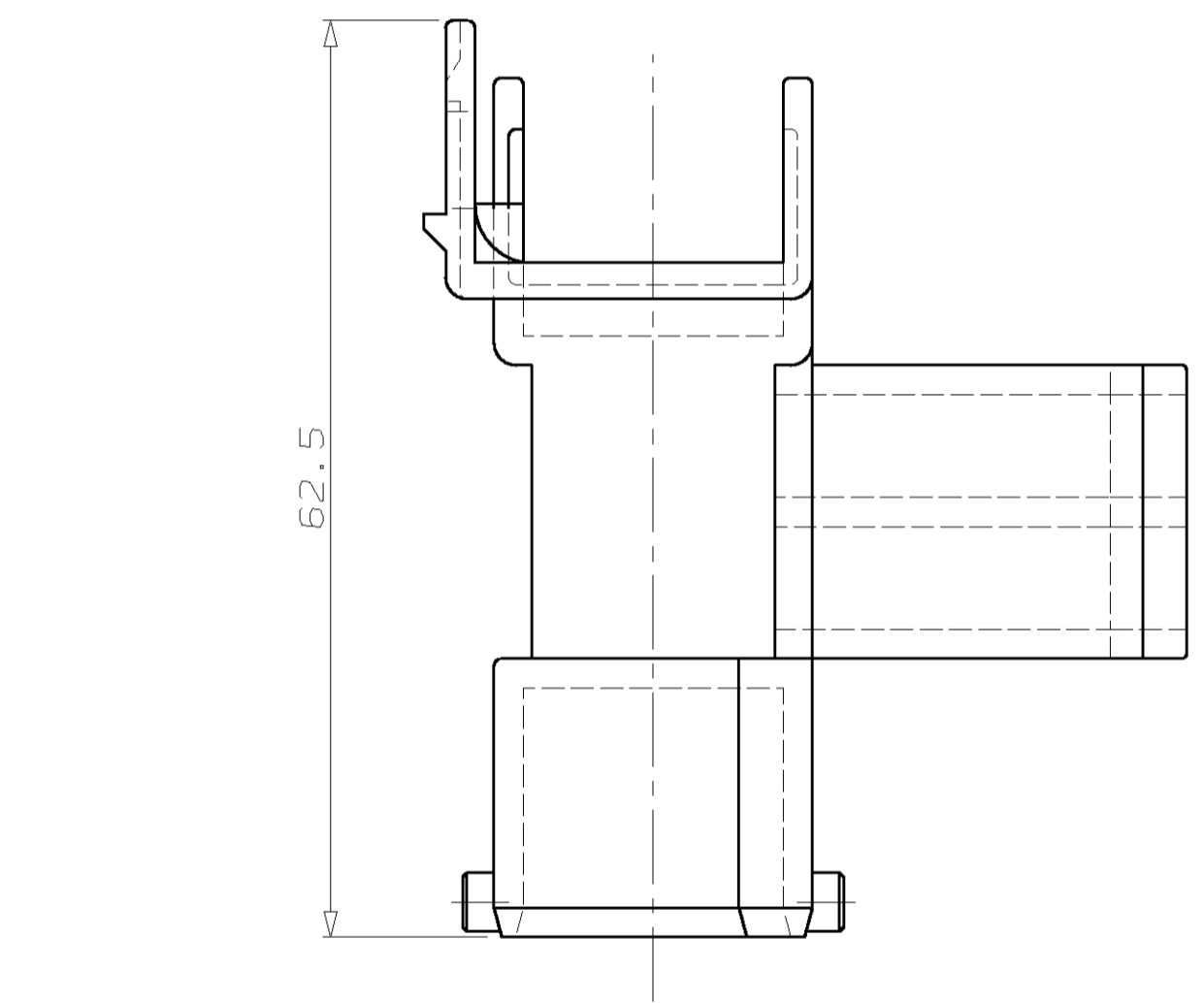
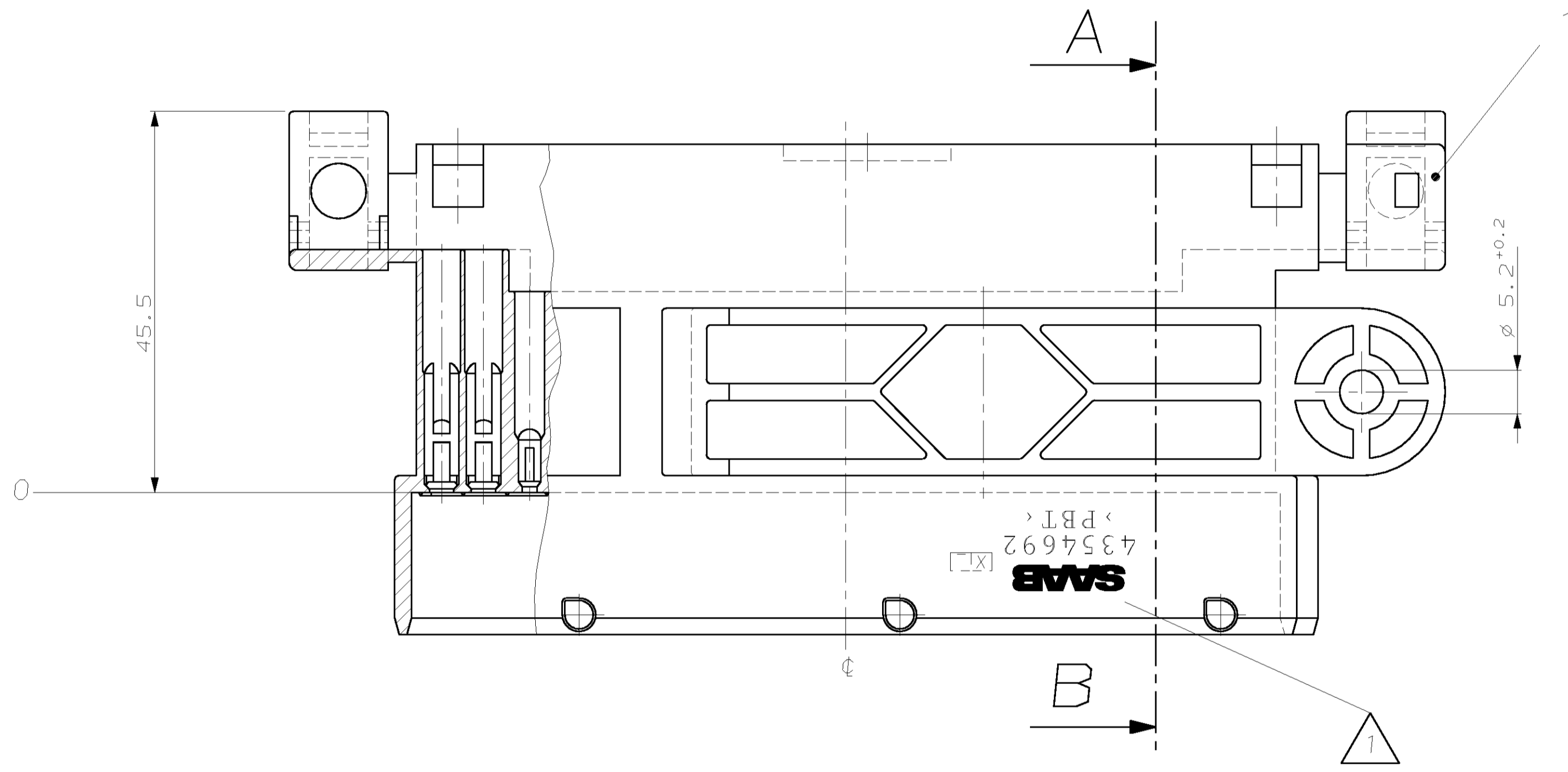
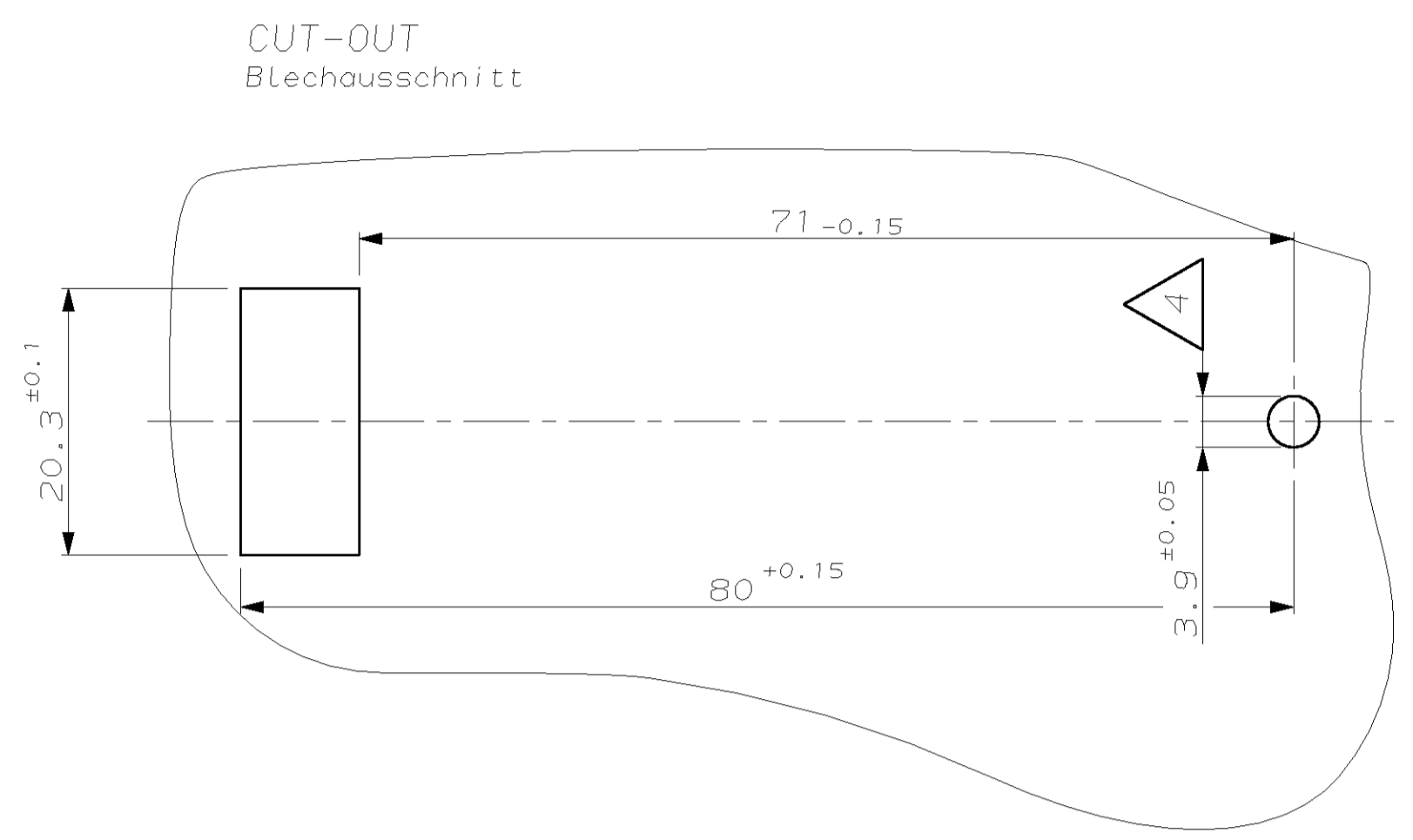
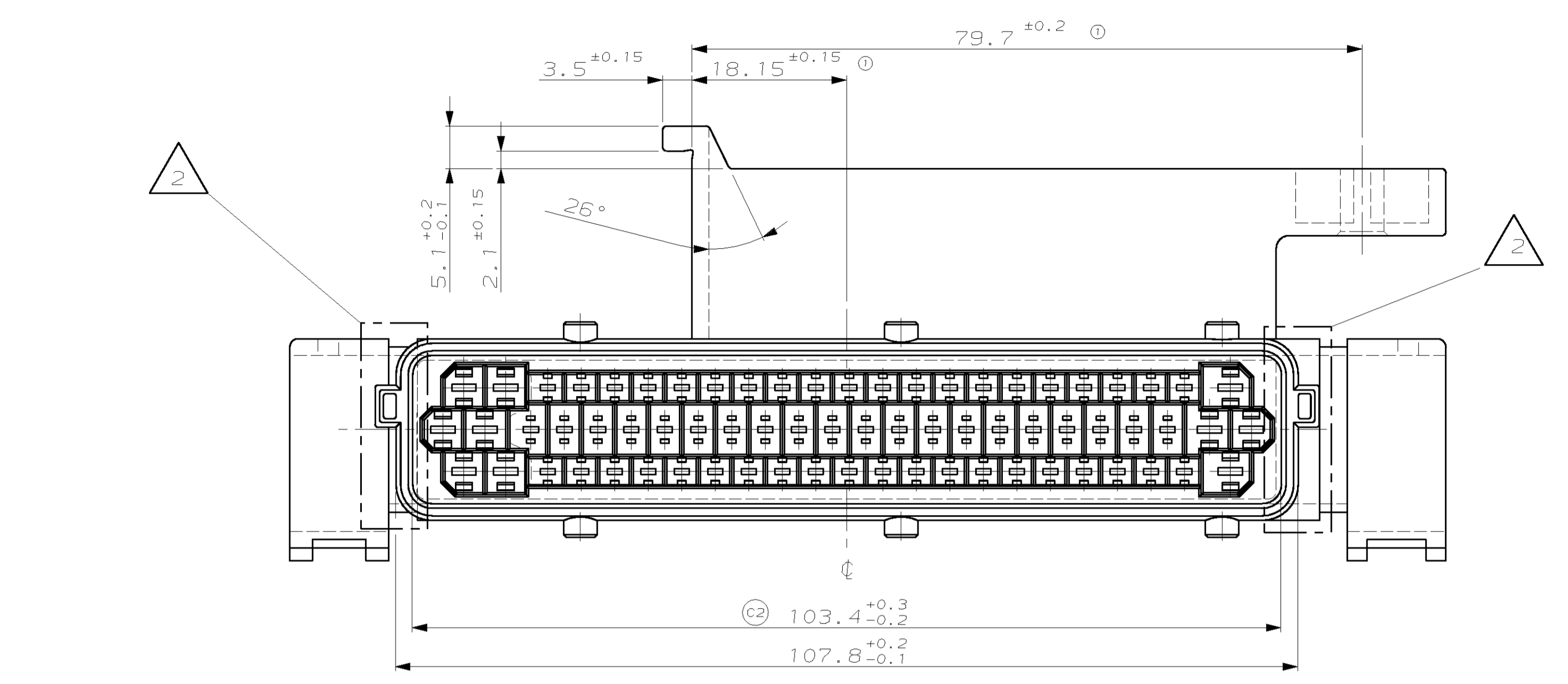


LOC	DIST	F	LYR	REV	DESCRIPTION	DATE	DMN	APVD
A1	-		C3		SEE PCN E600-2719-02	19-AUG-02	H.M.	-
			C4		SEE E-05-007971	10-AUG-05	C.A.	T.K.



- NOTES  
 Bemerkungen
- 1 CUSTOMER TRADE MARK ACC. TO } SAAB STD 18, 16-3  
 Kundenwarenzeichen nach
  - 2 EXCHANGEABLE  
 Auswechselbar
  - 3 HEXAGON SCREW, TAPPING ACC. TO } SAAB STD 2947 ST4,8  
 Blechschraube nach
  - 4 CORE PRINT DIAMETER ACC. TO DIN7975  
 MATERIAL TENSILE-STRENGTH Rm 350 N/mm<sup>2</sup>  
 Kernlochdurchmesser nach DIN 7975  
 Werkstoff-Festigkeit Rm 350 N/mm<sup>2</sup>

C2

THIS DRAWING IS A TECHNICAL DRAWING FOR THE INFORMATION OF THE CUSTOMER. IT IS SUBJECT TO CHANGE AND THE CONTROLLING ENGINEER'S SIGNATURE SHALL BE OBTAINED FOR THE CORRECT VERSION.		DRAWN: Anghel DATE: 10-AUG-05
DIMENSIONS: mm DIMENSIONEN: mm		CHECKED: Killion DATE: 11-AUG-05
TOLERANCES UNLESS OTHERWISE SPECIFIED: DIMENSIONS: mm FRACTIONAL DECIMALS: ±0.15 DECIMALS: ±0.05 HOLE DIA: ±0.03 HOLE DIA: ±0.05 HOLE DIA: ±0.05 HOLE DIA: ±0.05		PRODUCT SPEC: 70 POS. MIX. TAB HSG. PRODUCT SPEC: 70 POS. MIX. TAB HSG.
MATERIAL: - FINISH/SURFACE COLOR: -		APPLICATION SPEC: - VERABREITUNGSSPEZ.: -
CUSTOMER PART NO: - AMP PART NO: - REV.: - PCS.: - MATERIAL: - SURFACE COLOR: - DESCRIPTION: - ITEM NO: -		WEIGHT: - REWICHT: - CUSTOMER DRAWING: - KUNDENZEICHNUNG: - DRAWING NO: 00779 DRAWING NO: 00779 DRAWING NO: 00779

AMP tyco Electronics AMP GmbH  
 D - 64625 Bensheim

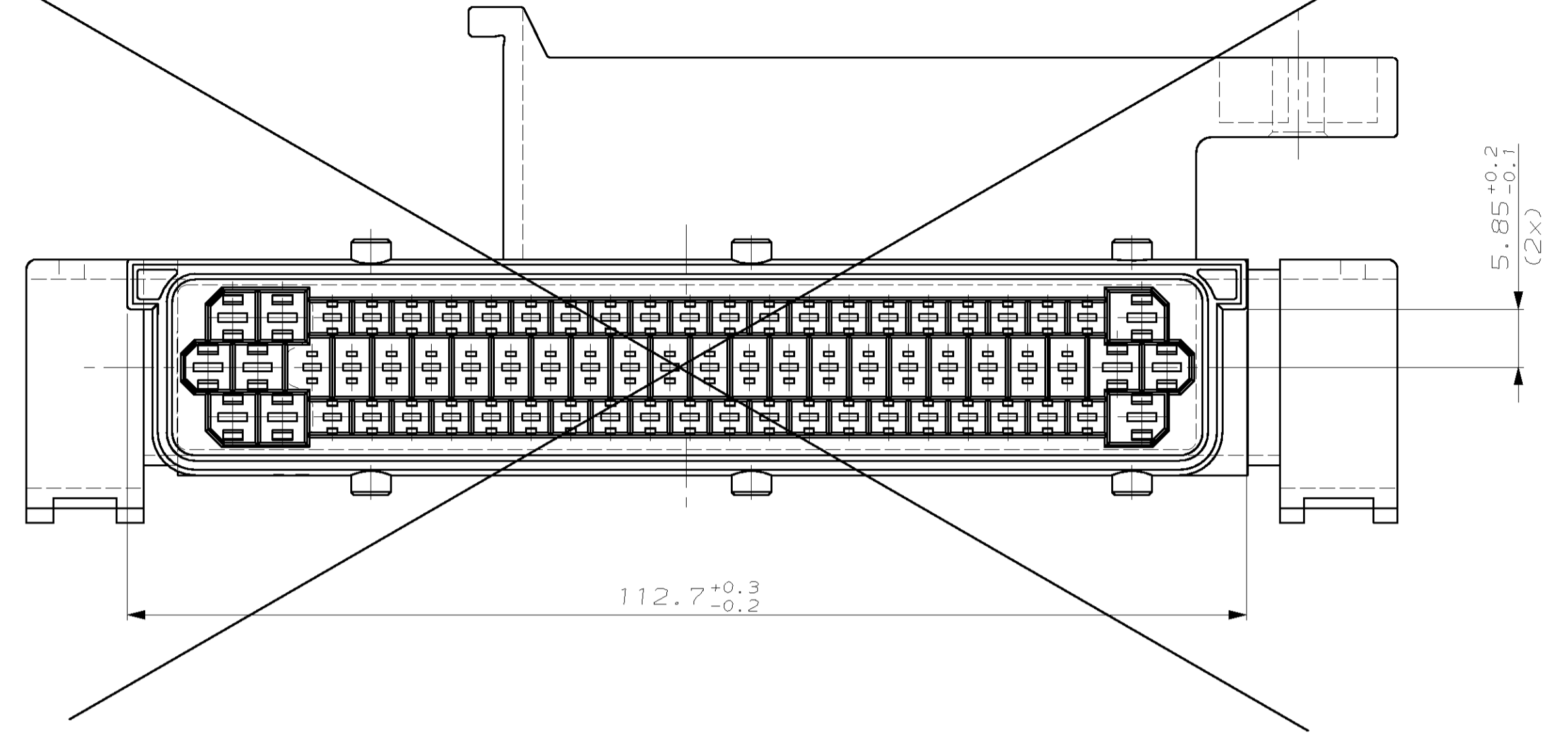
70 POS. MIX. TAB HSG.

SIZE: A1  
 CAGE CODE: 965267  
 DRAWING NO: 00779

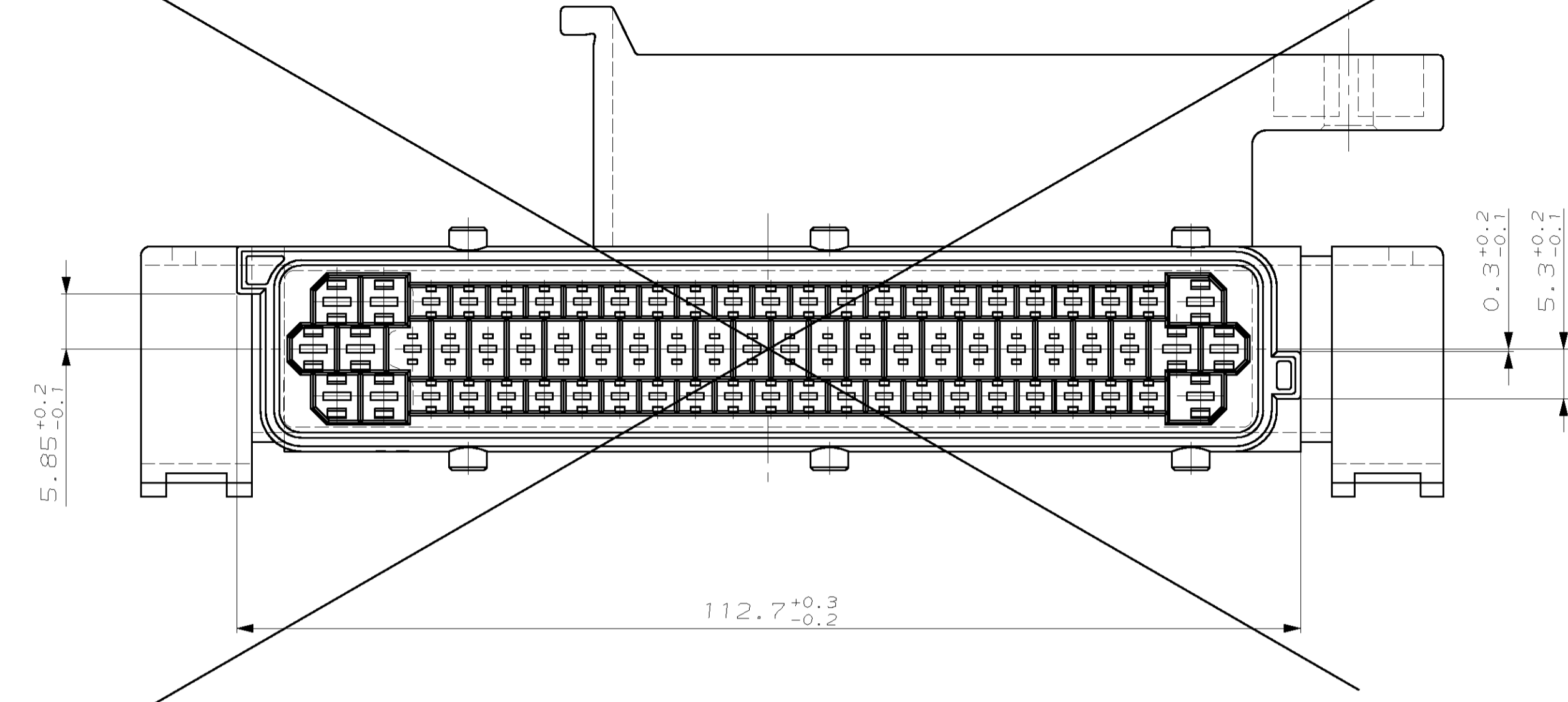
RESTRICTED TO NEW FIBER

1 of 2  
 1 of 2  
 1 of 2

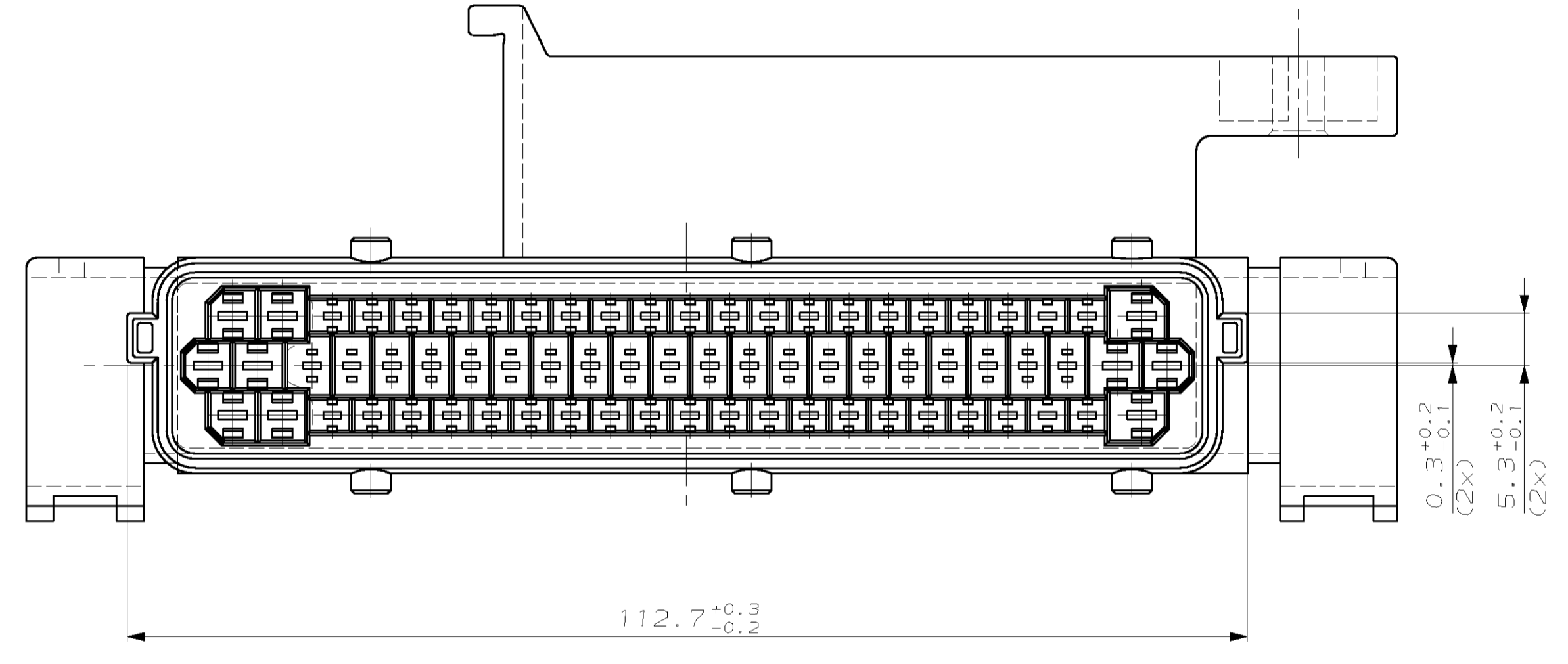
① CODING A1



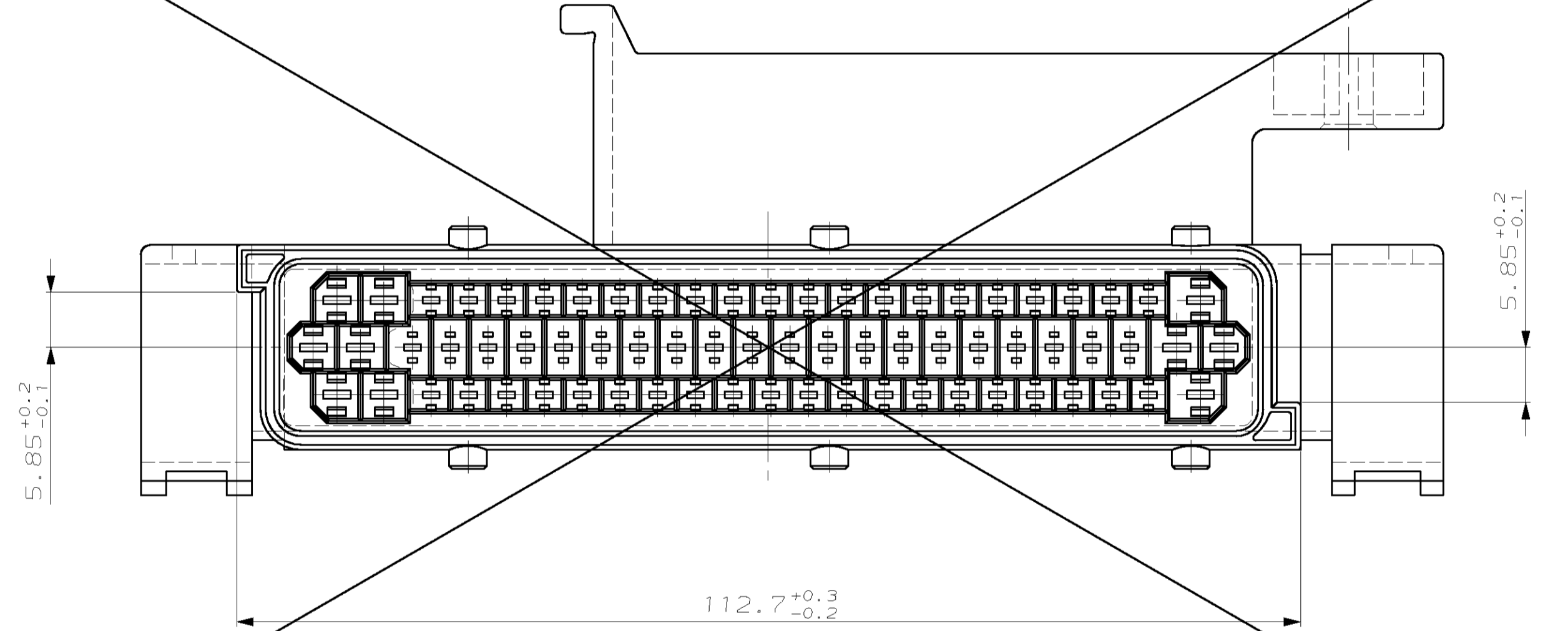
③ CODING C1



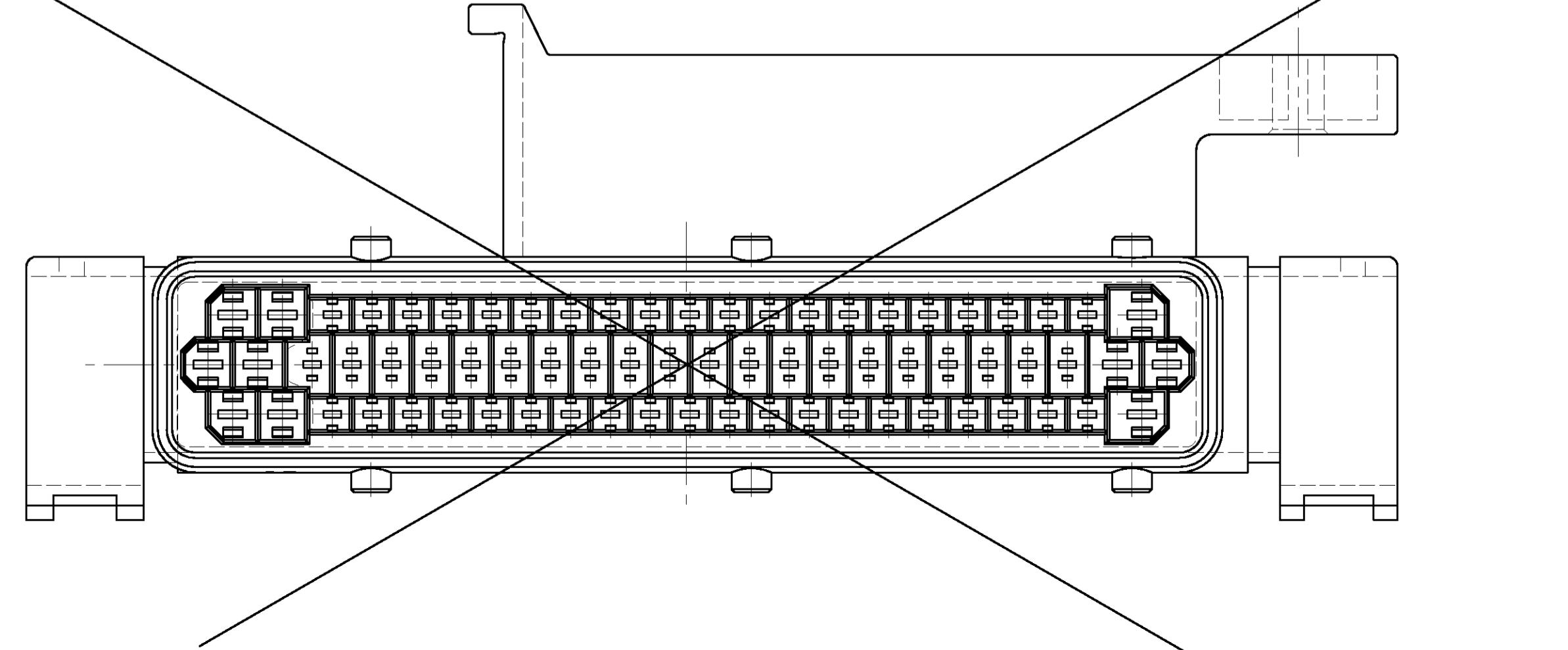
② CODING B1



④ CODING D1



⑤ CODING N



OBSOLETE	CUSTOMER PART NO	AMP PART NO	REV.	PCS.	MATERIAL	SURFACE COLOR	DESCRIPTION	ITEM NO
-	-	5-965267-1	B	1	PBT-GF30	WHITE	70 POS. TAB HSG. COD.A1	5
-	-	4-965267-1	B	1	PBT-GF30	BROWN	70 POS. TAB HSG. COD.D1	4
-	-	3-965267-1	B	1	PBT-GF30	BLUE	70 POS. TAB HSG. COD.C1	3
4354692	-	2-965267-1	B	1	PBT-GF30	GREY	70 POS. TAB HSG. COD.B1	2
-	-	1-965267-1	B	1	PBT-GF30	BLACK	70 POS. TAB HSG. COD.A1	1

THIS DRAWING IS UNCONTROLLED UNLESS THE NEW IDENTIFICATION IS SUBJECT TO CHANGE AND THE CONTROLLING ENGINEERING DEPARTMENT SHALL BE ADVISED FOR THE CORRECT IDENTIFICATION. ANY CHANGES TO THIS DRAWING SHALL BE INCORPORATED INTO THE NEXT REVISION. ANY CHANGES TO THIS DRAWING SHALL BE INCORPORATED INTO THE NEXT REVISION. ANY CHANGES TO THIS DRAWING SHALL BE INCORPORATED INTO THE NEXT REVISION.

AMP 4805 REV 27/JUN/05

AMP tyco Electronics AMP GmbH  
 D - 64625 Bensheim

70 POS. MIX. TAB HSG.

AMP 00779-965267

CUSTOMER DRAWING /KUNDENZEICHNUNG

SIZE: A1  
 CAGE CODE: 00779  
 DRAWING NO: 965267  
 DATE: 11-AUG-05

RESTRICTED TO  
 NUR FÜR