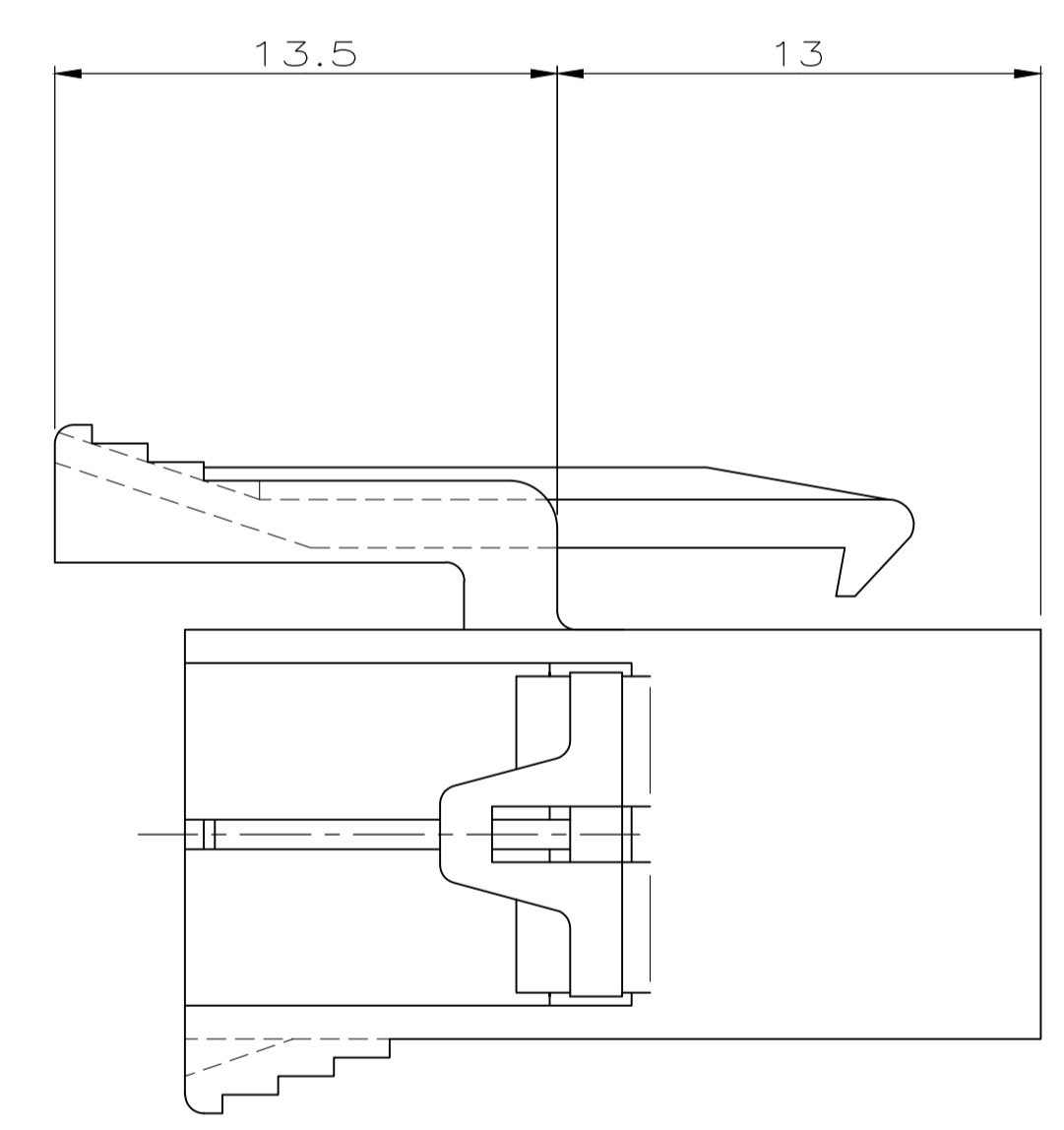
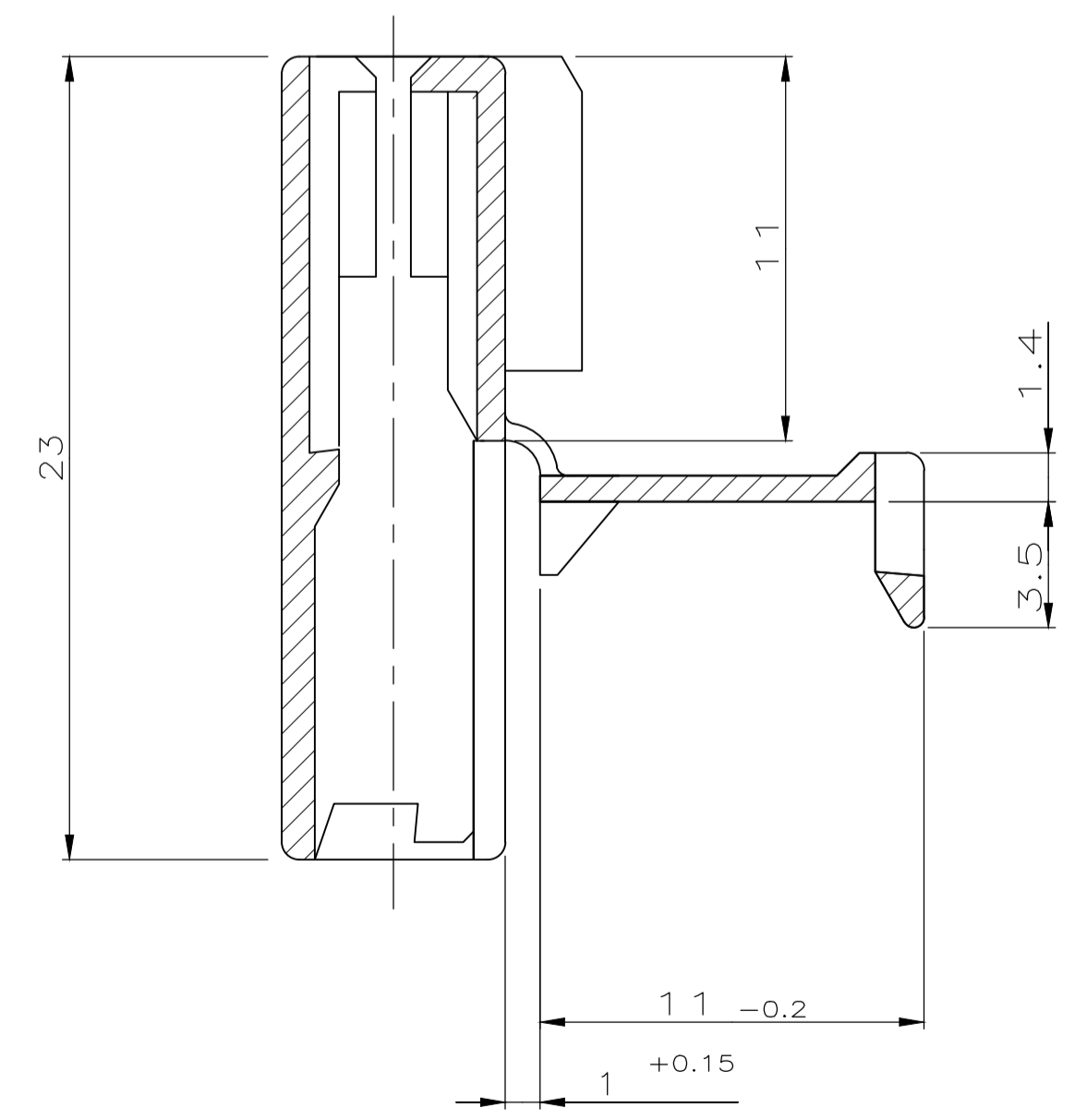
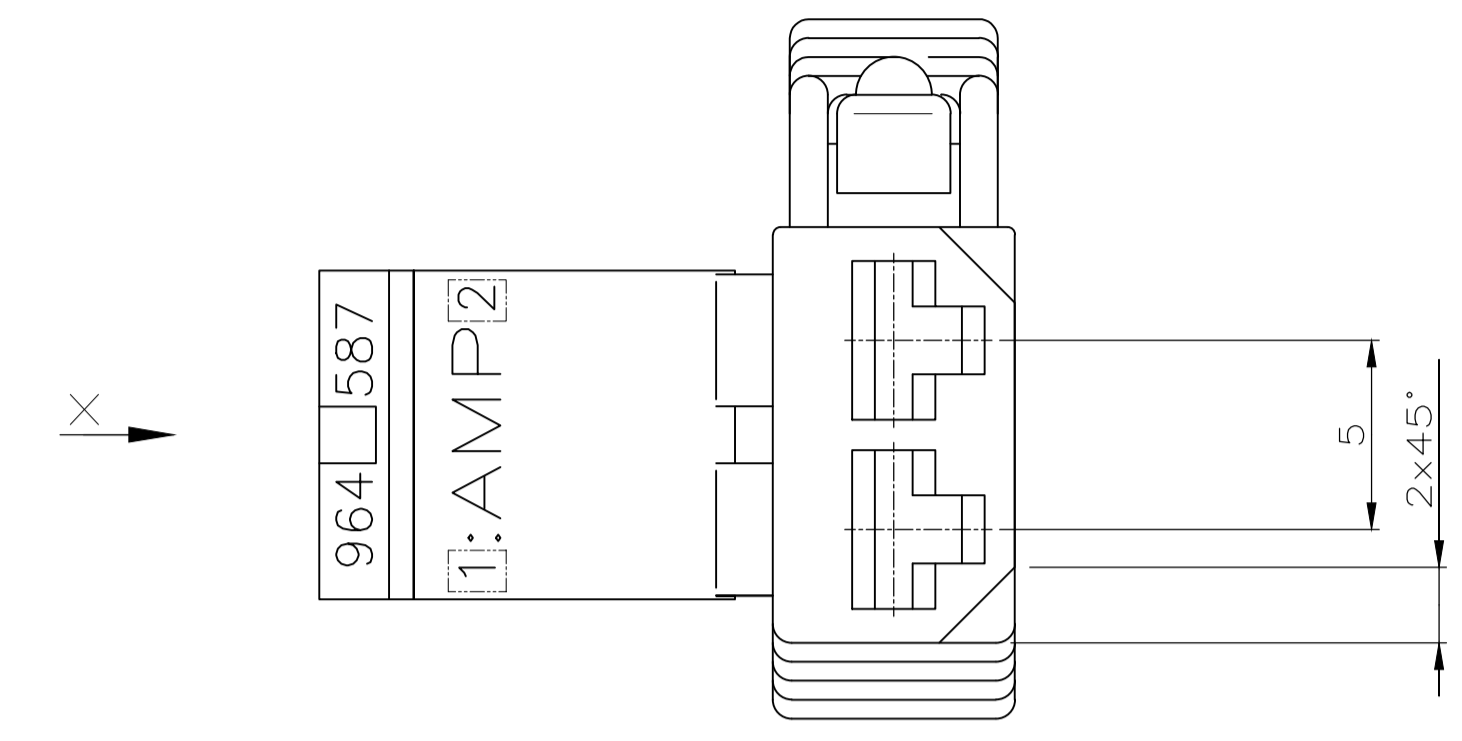
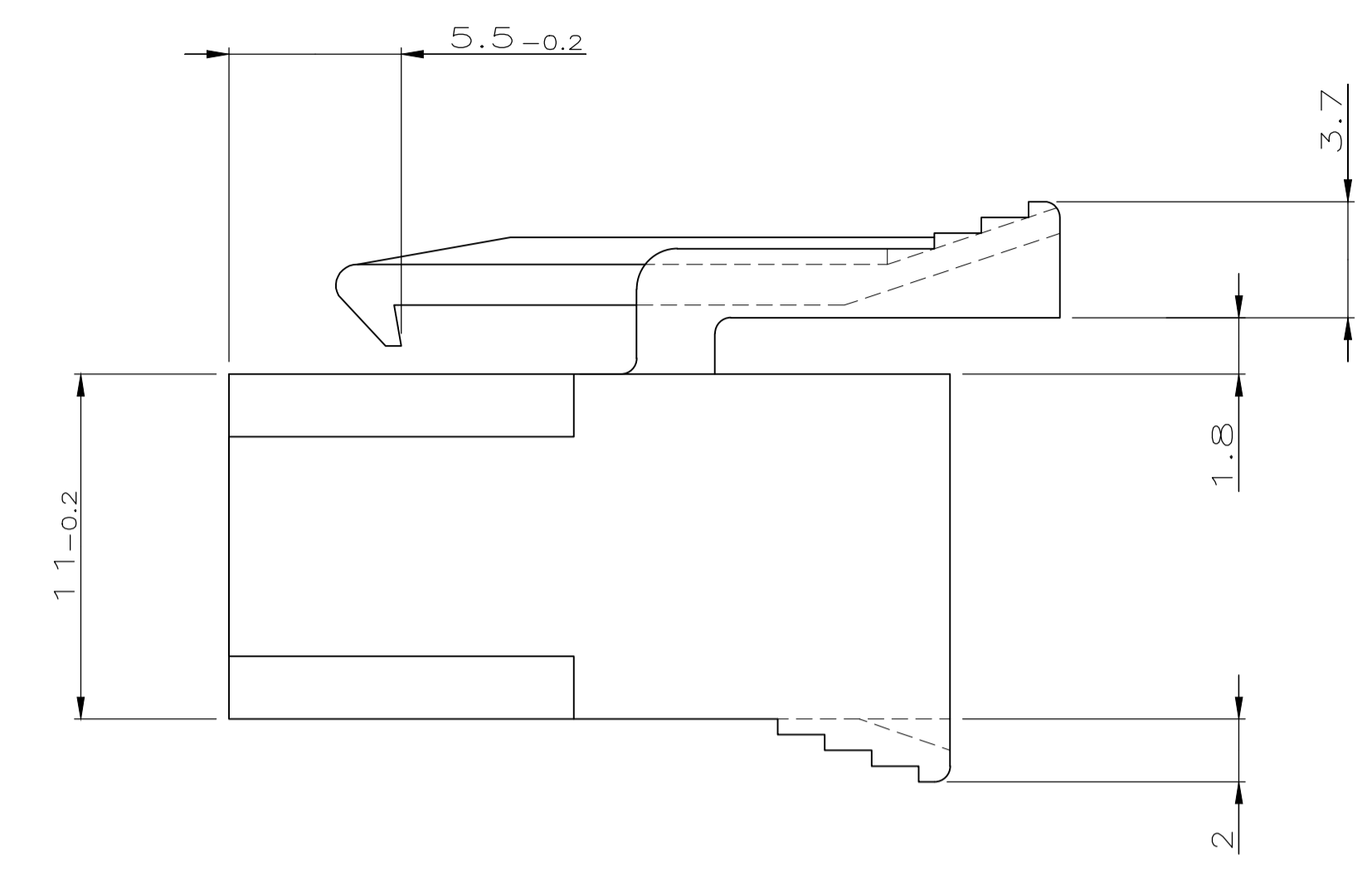
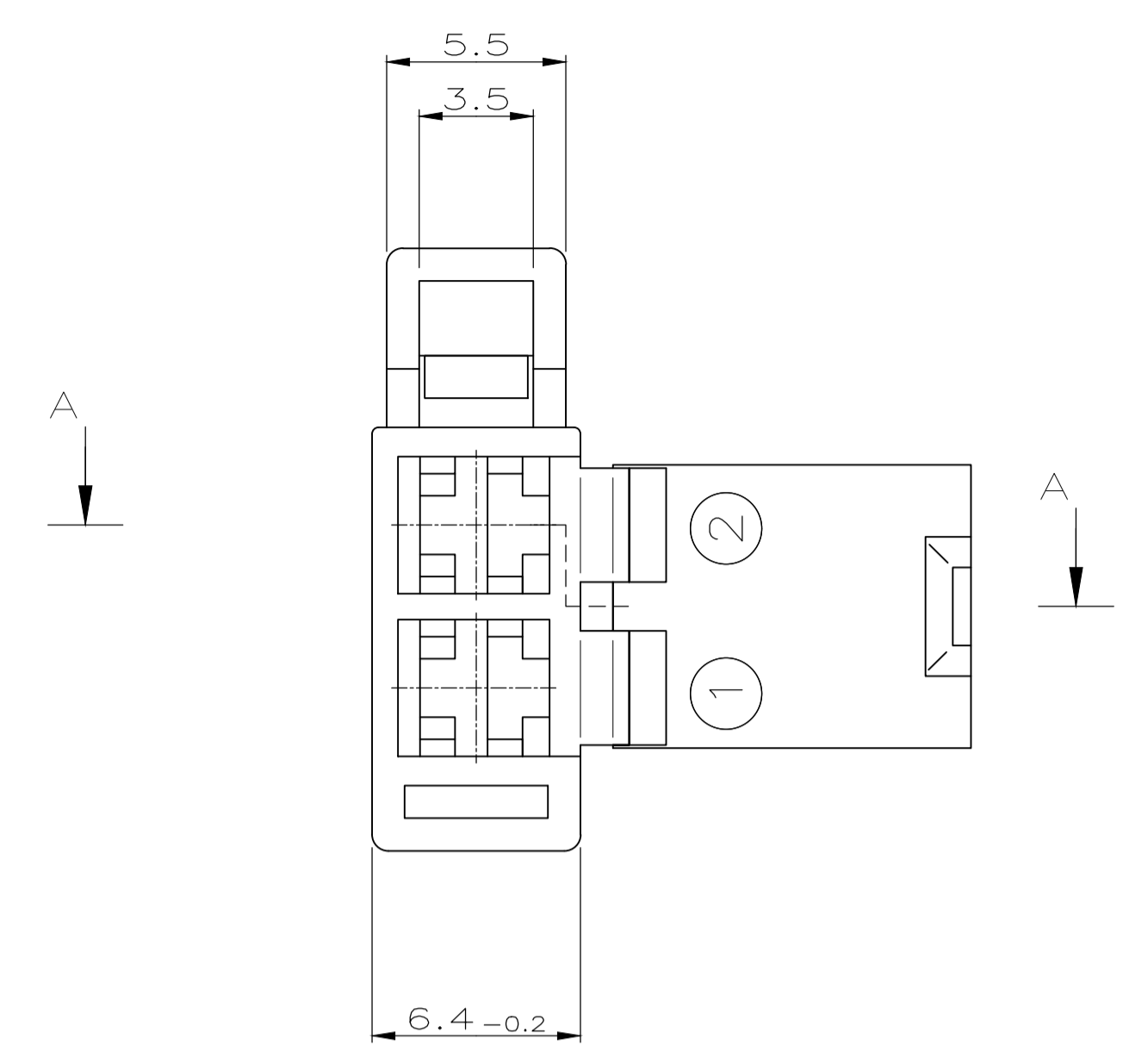


REVISIONS					
P	LTR	DESCRIPTION	DATE	DMN	APVD
B		BOM UPDATED WITH NEW MATERIAL	13JUN2019	JPN	MN



Ⓟ

A-A

964587-1				2 pol. JPT-Geh.		PA66 (Zytel 409)		Schwarz		MATERIAL PA 66 (Zytel 409)		FINISH -		THIS DRAWING IS A CONTROLLED DOCUMENT.		DIN R. LIEBING 17MAR1993 CHK R. NEBE 08APR1993		TE Connectivity	
DIMENSIONS:		TOLERANCES UNLESS OTHERWISE SPECIFIED:		0 PLC ± -		1 PLC ± -		2 PLC ± 0.2		3 PLC ± -		4 PLC ± -		ANGLES ± 1.0°		PRODUCT SPEC		NAME	
mm																APPLICATION SPEC		2 pol. Gehäuse fuer Junior Power Timer Kontakt	
BESTELL-NR.		POS.		STÜCK		BENENNUNG EINZELTEIL		WERKSTOFF		OBERFLÄCHE FARBE		WEIGHT		SCALE		SHEET		REV	
-		-		-		-		-		-		-		5:1		1 of 1		B	
CUSTOMER DRAWING												A1 00779		DRAWING NO. 964587		RESTRICTED TO			