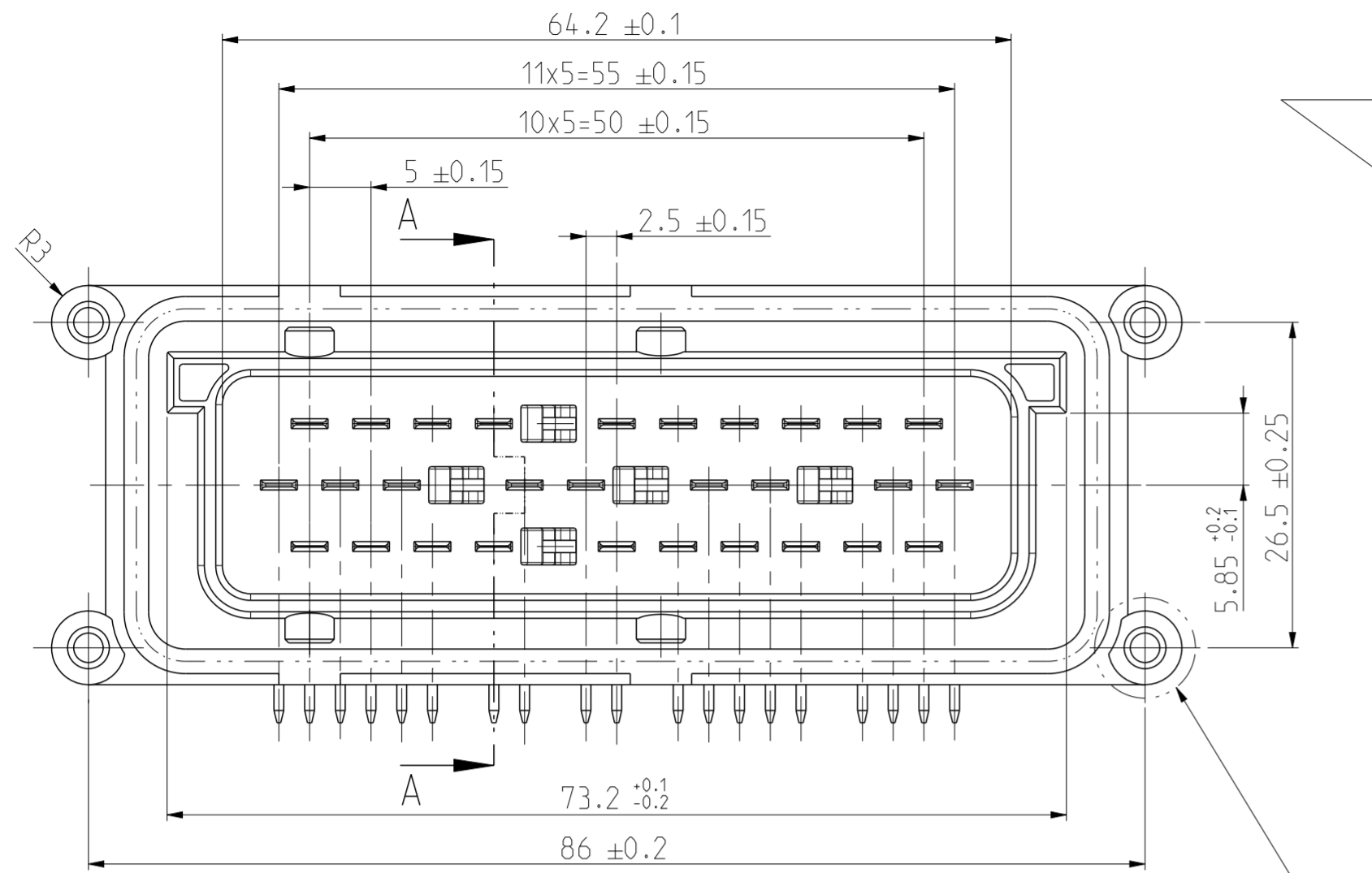
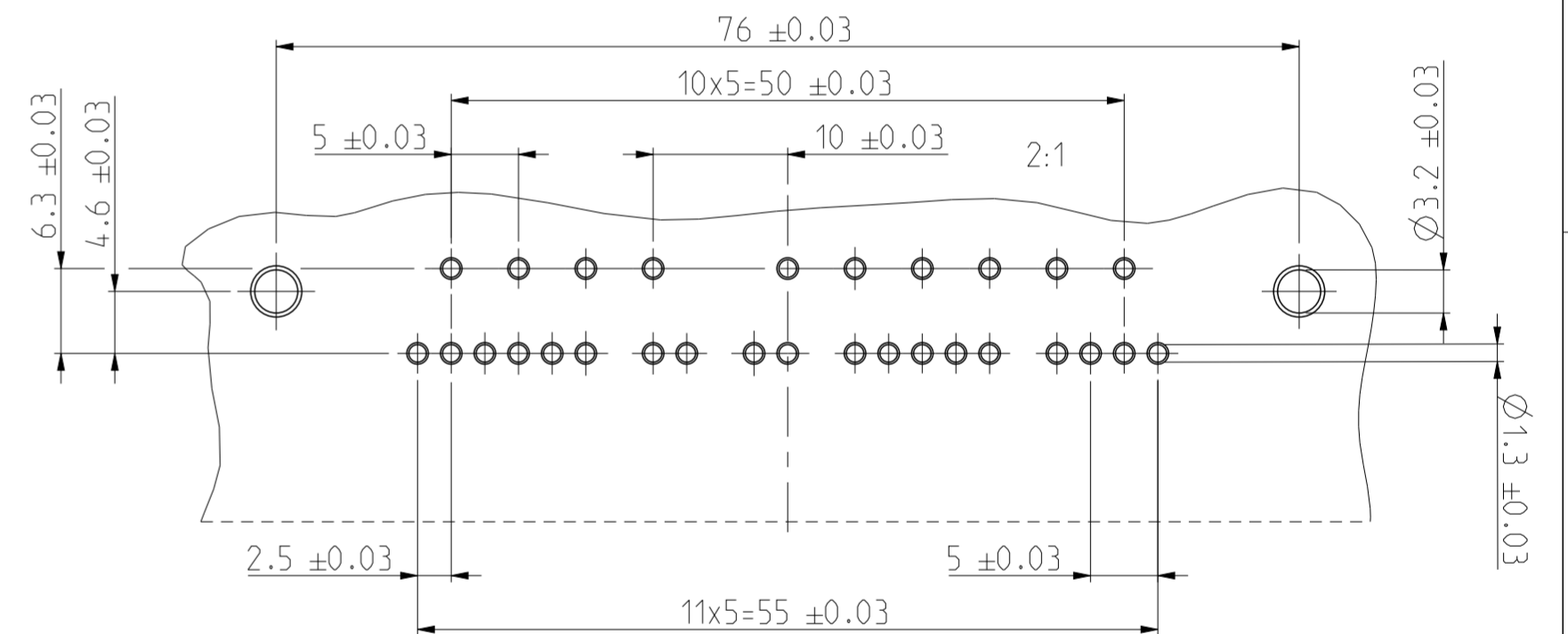
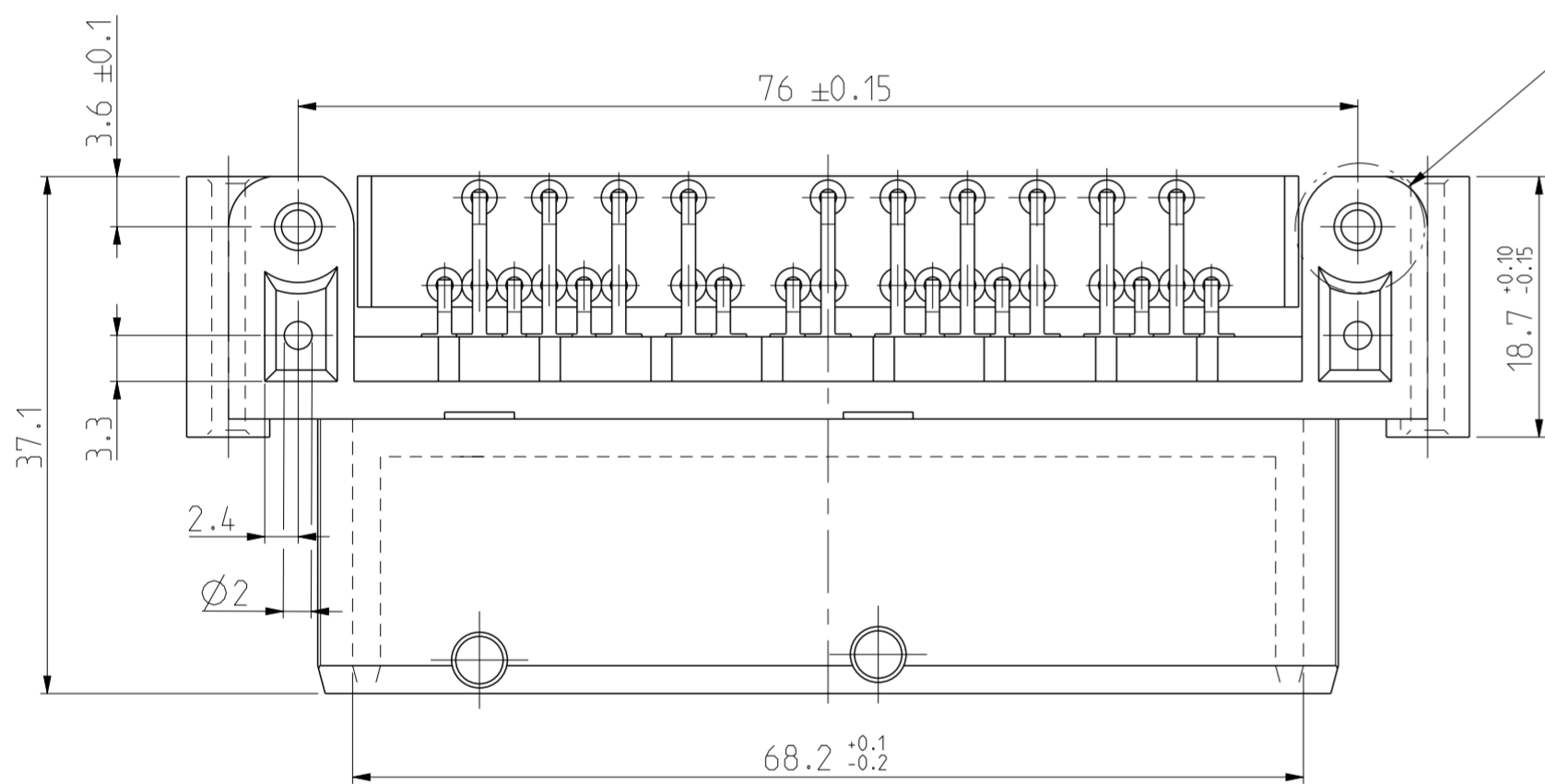
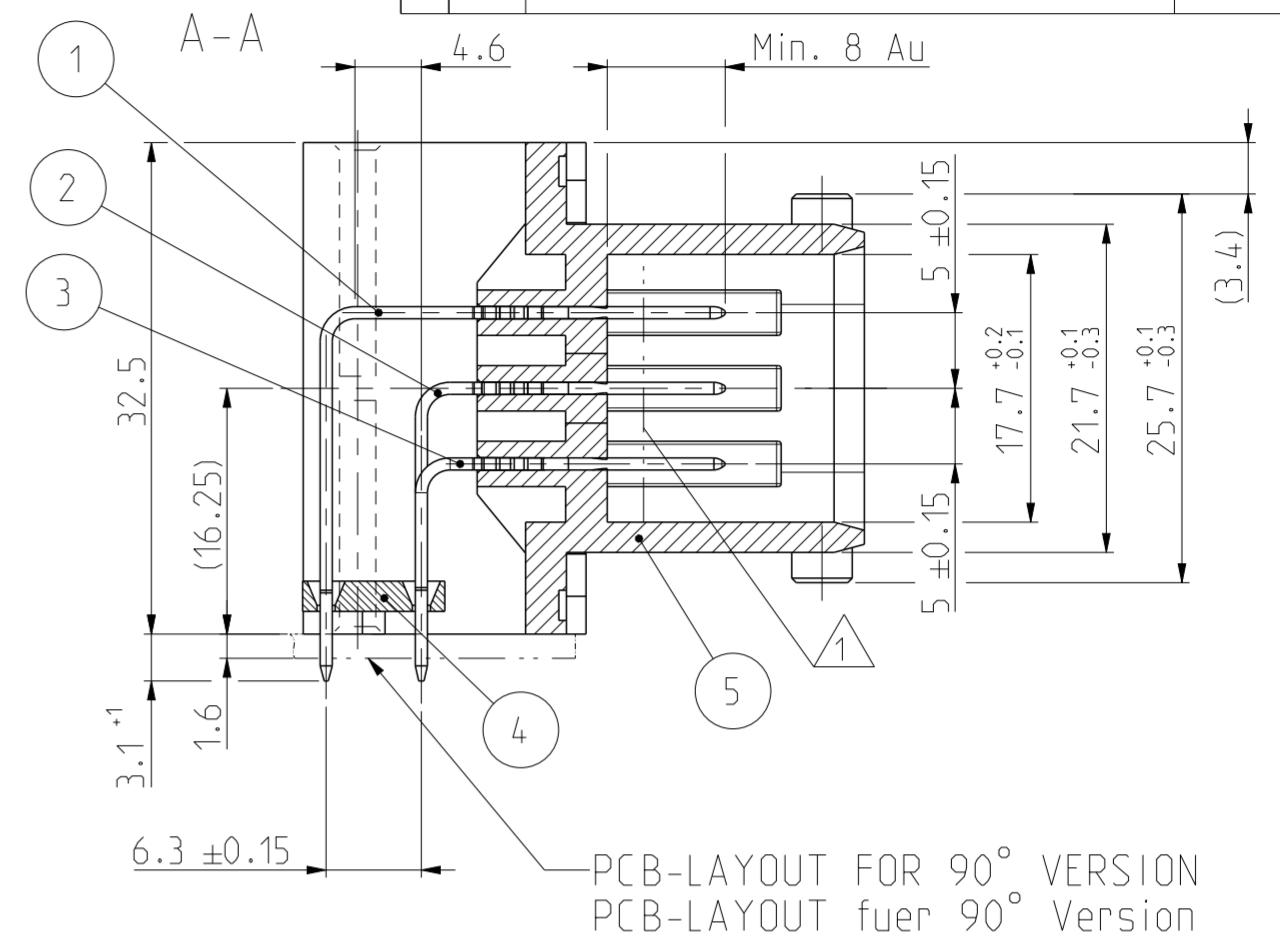
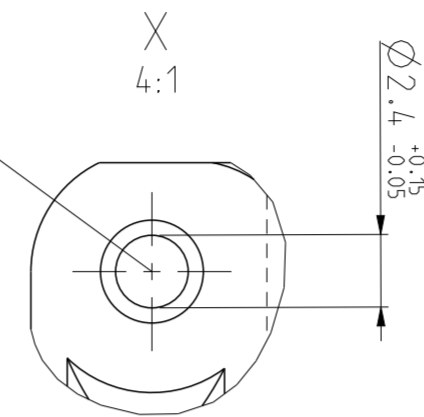


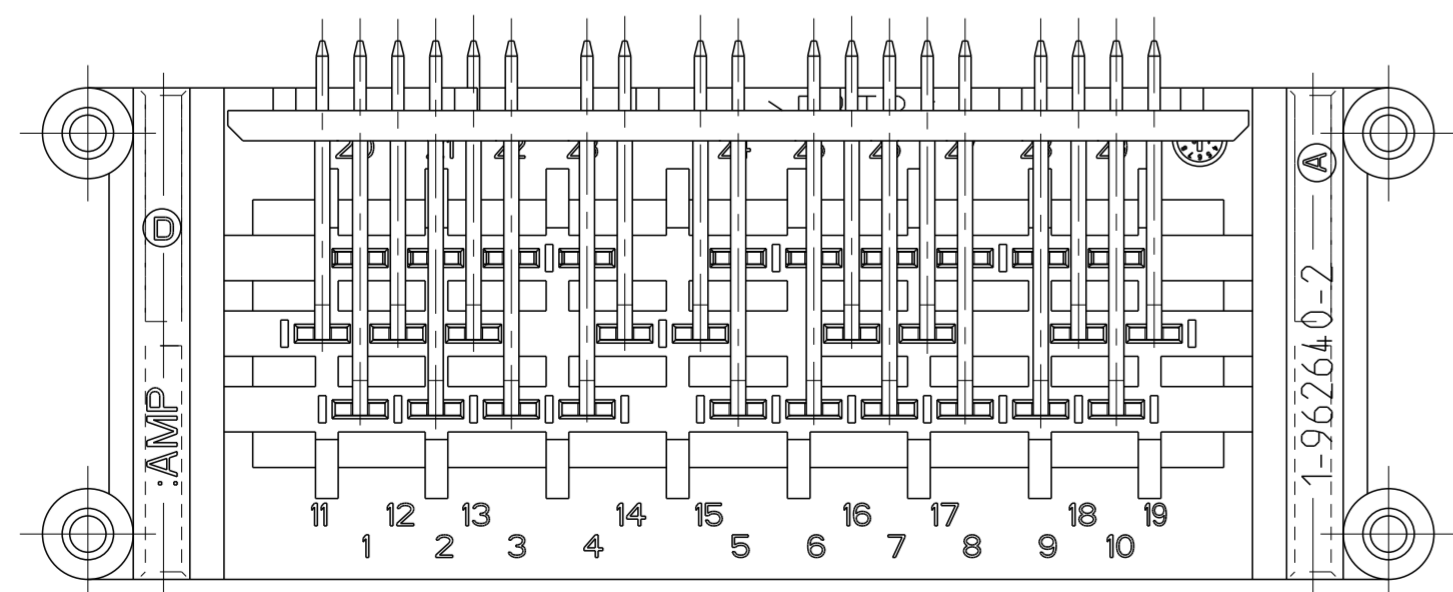
P	LTR	DESCRIPTION	DATE	DWN	APVD
E		Zeichnung der Produktzeichnung a	05APR1995	B.B	-
F		SEE-E-07-002216	29JAN2007	C.A	-
F1		Obsolescence of PN 1-963448-1	27DEC2019	JJH	KP



FOR CYL.SELF-TAPPING SCREW  
Fuer Zylinder Blechschaube  
DIN 7971 ST 2.9x9.5-C-H



⚠ SEALING PN 963222 TO BE ASSEMBLED AFTER SOLDERING.  
(ORDERED SEPARATLY)  
Dichtung PN 963222 wird nach dem Loeten eingesetzt  
(Dichtung muss zusaetzlich bestellt werden)



COLOR/FINISH	MATERIAL	QTY	DESCRIPTION	POS.	REV.	TE ASSY PART NUMBER	ITEM NO.
BLACK	PBTP GV30	1	29 POS. TAB HEADER	5			
BLACK	PBTP GV30	1	CENTERING PLATE	4			
PRE-TINNED	CuSn4 F41	10	2.8mm TAB (33.5)	3	E	1-963448-2	2
PRE-TINNED	CuSn4 F41	9	2.8mm TAB (38.5)	2			
PRE-TINNED	CuSn4 F41	10	2.8mm TAB (49.8)	1			
RED	PBTP GV30	1	29 POS. TAB HEADER	5			
BLACK	PBTP GV30	1	CENTERING PLATE	4			
SELECTIVE Au MIN. 1µm	CuSn4 F41	10	2.8mm TAB (33.5)	3	F	1-963448-1	1
SELECTIVE Au MIN. 1µm	CuSn4 F41	9	2.8mm TAB (38.5)	2			
SELECTIVE Au MIN. 1µm	CuSn4 F41	10	2.8mm TAB (49.8)	1			

F1

OBSELETE

THIS DRAWING IS A CONTROLLED DOCUMENT. DIMENSIONING AND TOLERANCING PER GPS (ISO STANDARDS).

DWN: A.HACKL 17JAN1991  
CHK: -

APVD: -  
PRODUCT SPEC: -  
APPLICATION SPEC: -  
WEIGHT: -

CUSTOMER DRAWING

TE Connectivity

NAME: 2.8mm TAB HEADER, 29 POS. 2.8mm. Messerleiste, 29-polig

SIZE: A2 CAGE CODE: 00779 DRAWING NO: 963448 RESTRICTED TO: -

SCALE: 2:1 SHEET: 1 OF 1 REV: F1

F1 1-963448-2

AS SHOWN wie gezeichnet