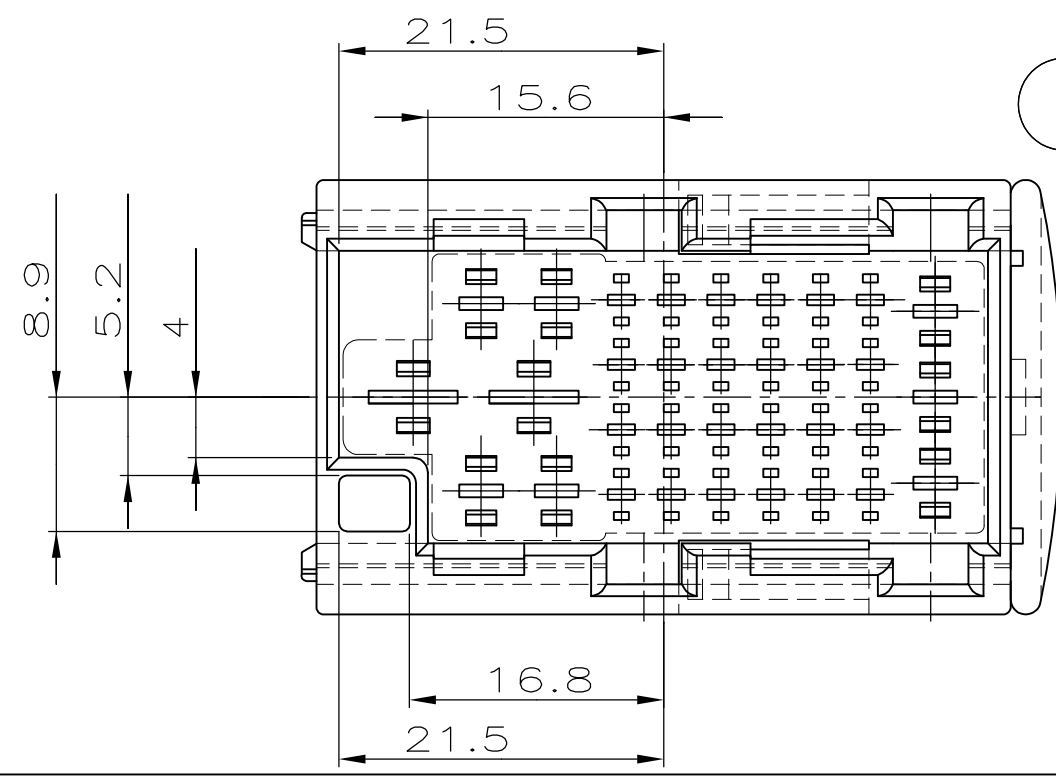
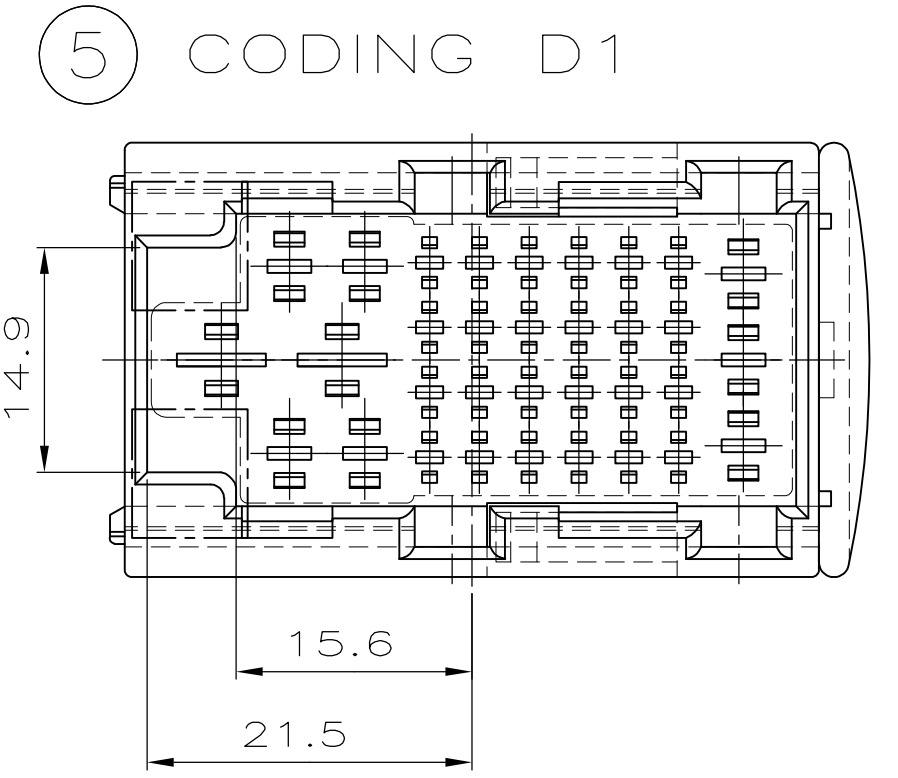
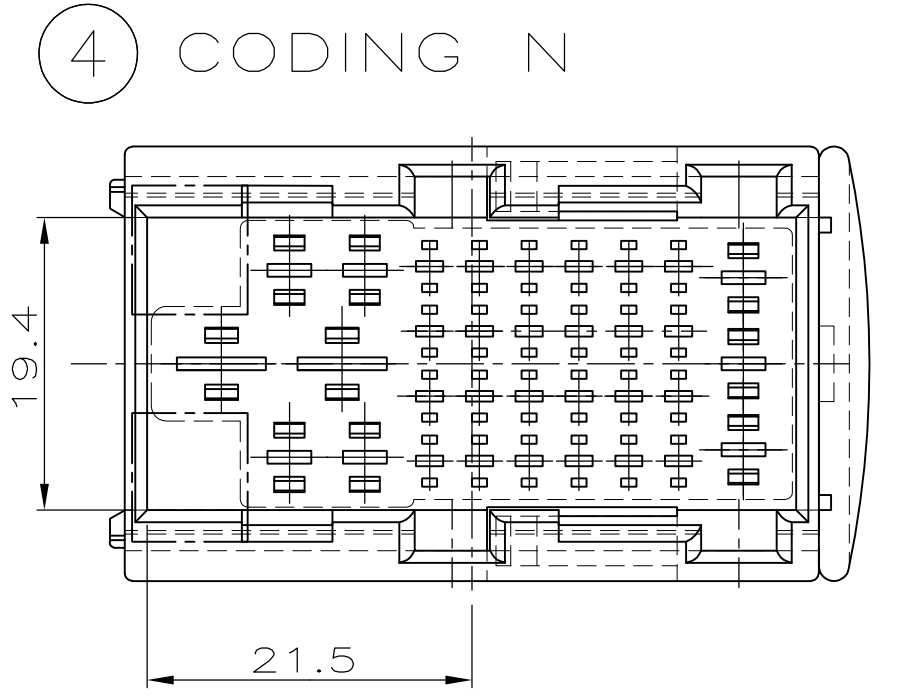
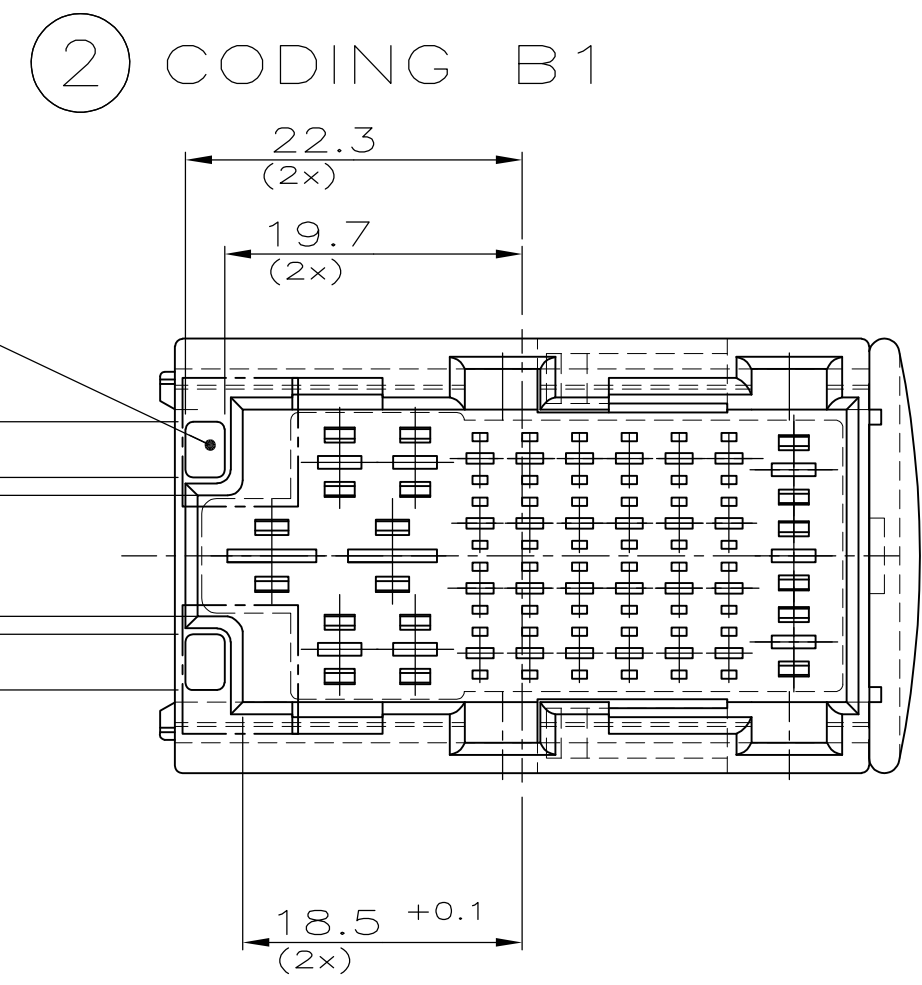
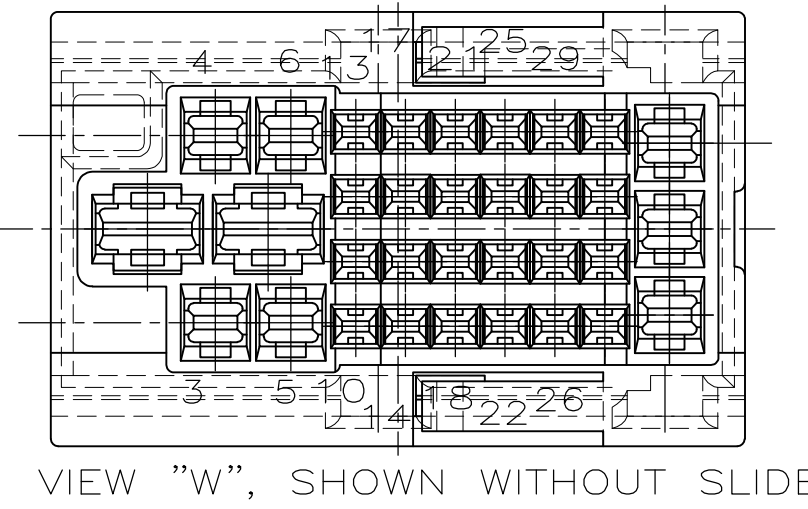
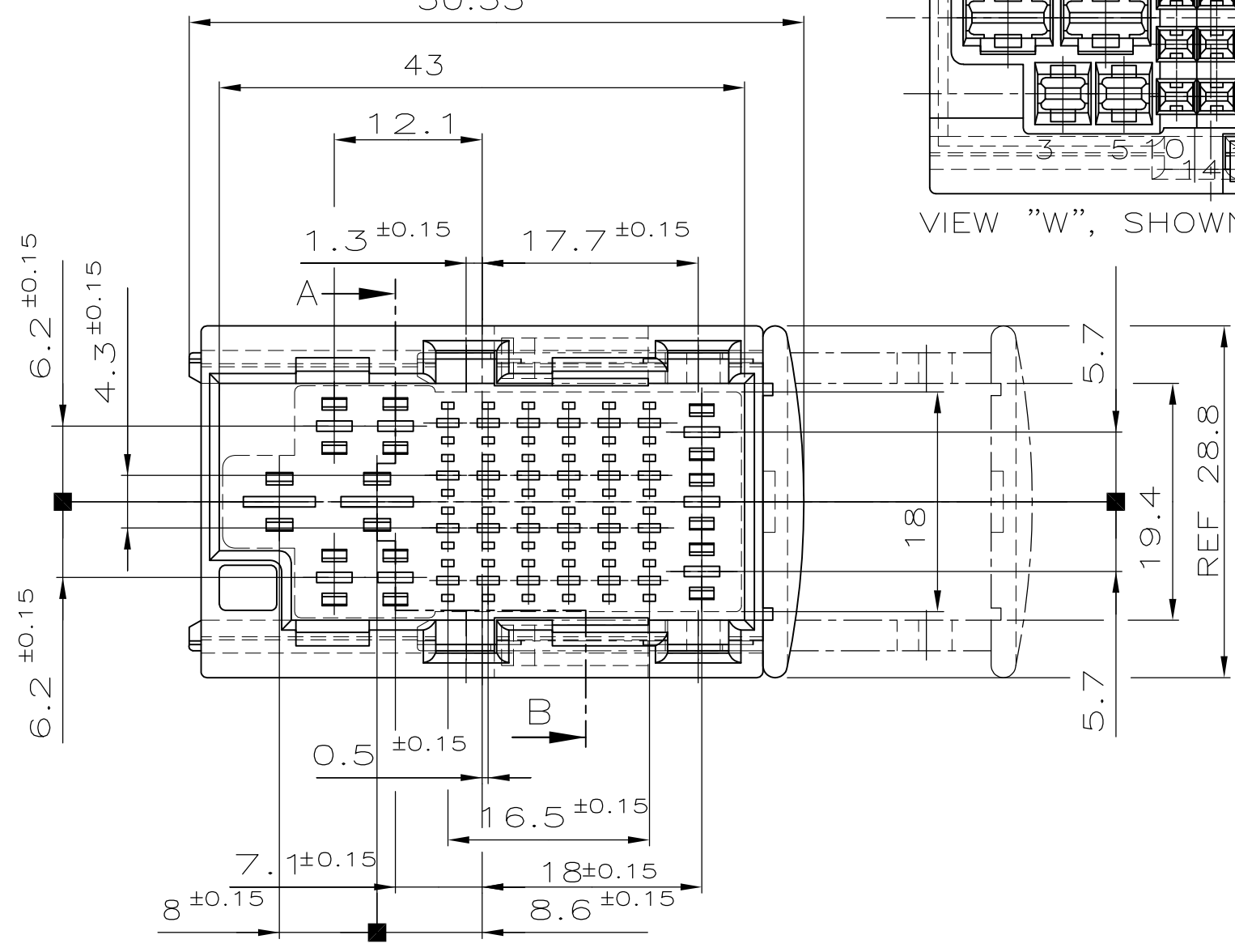
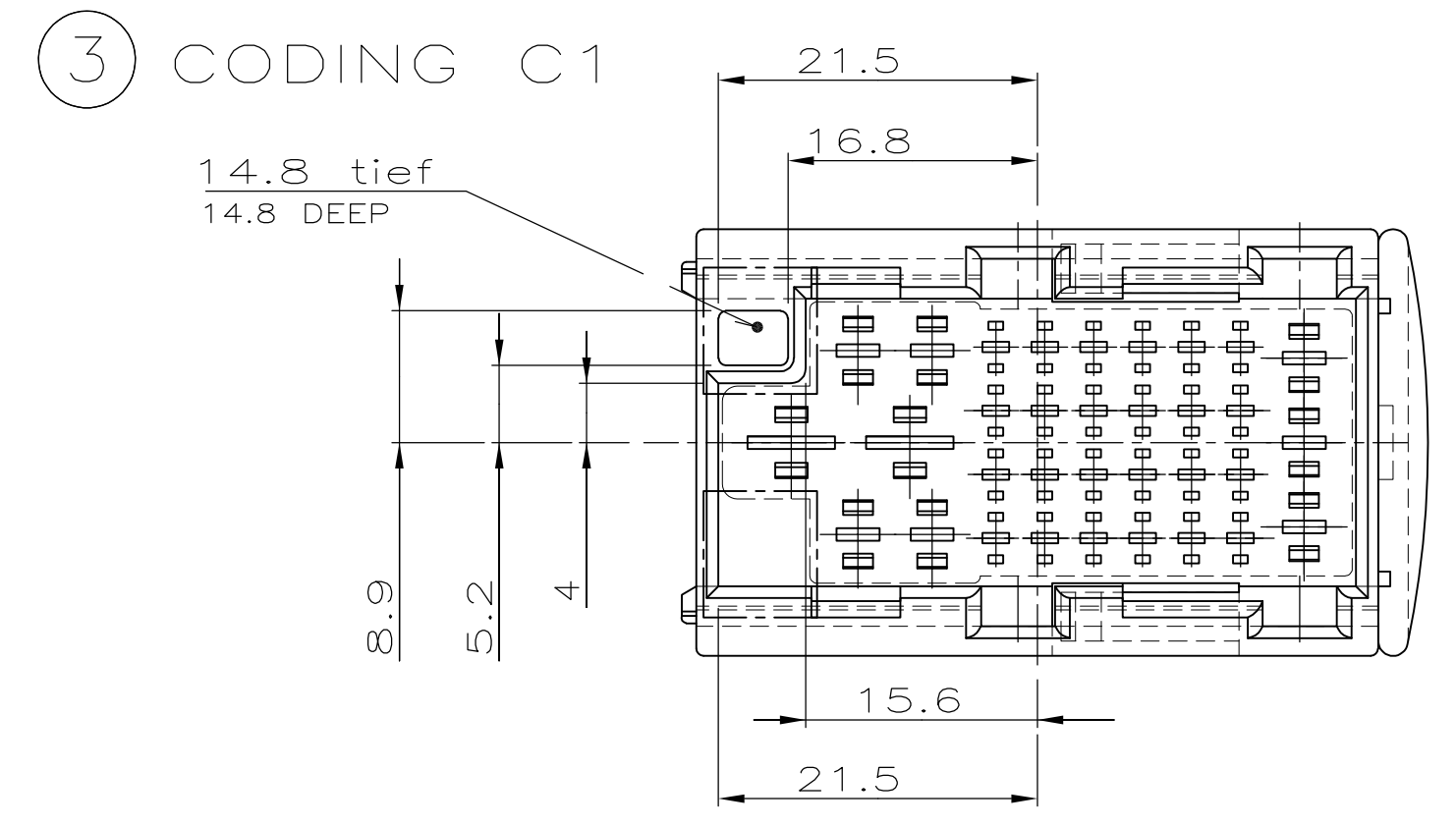
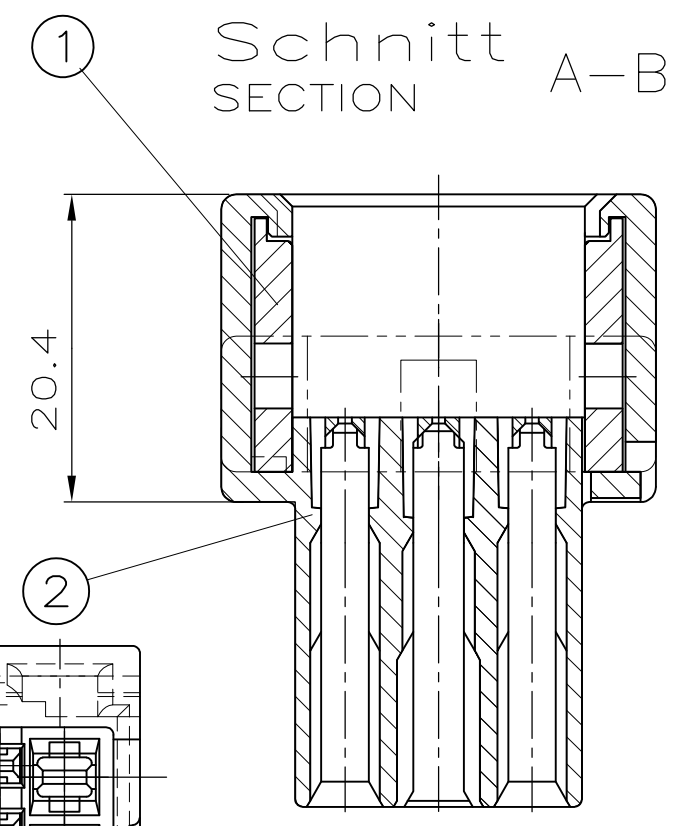
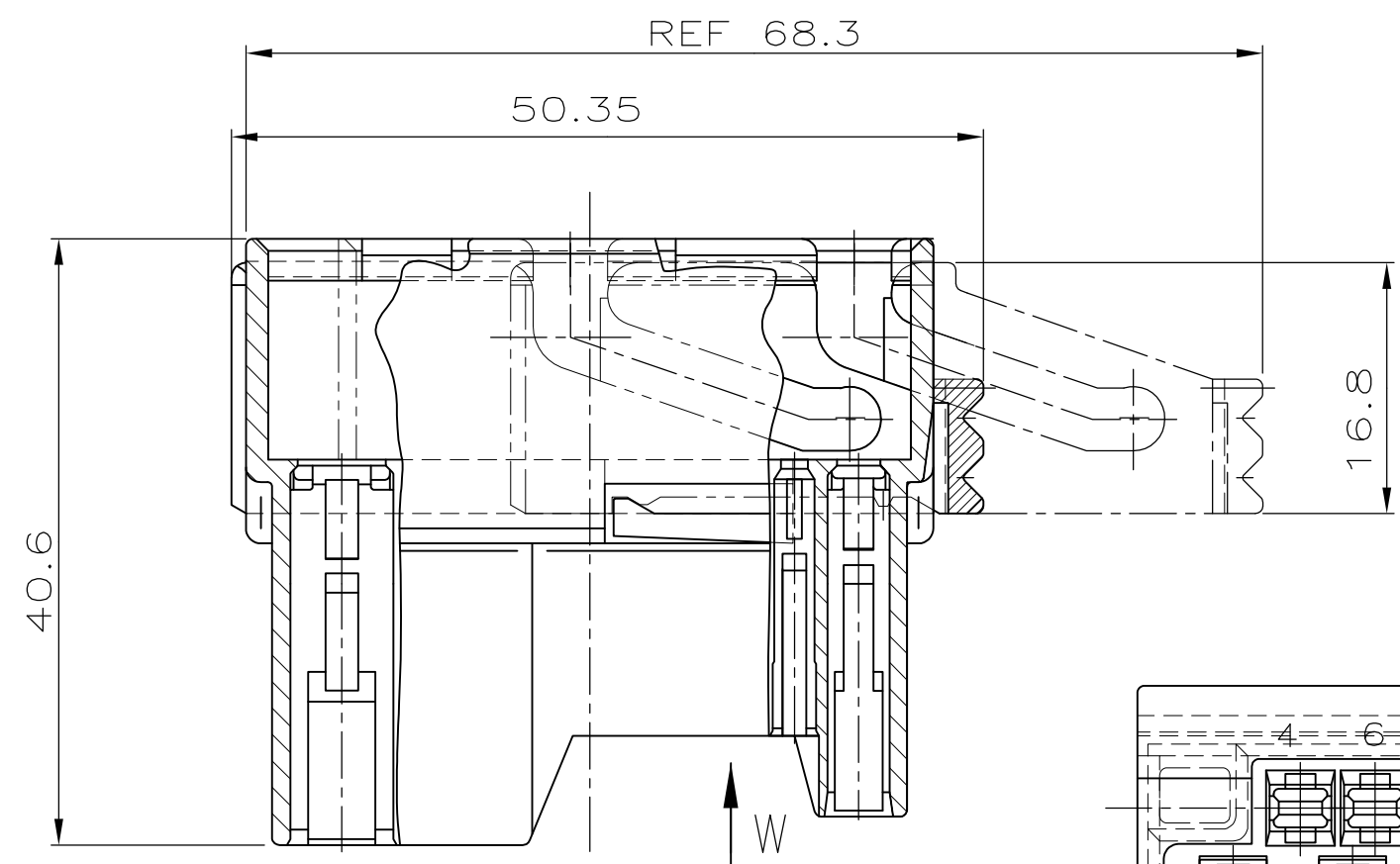


THIS DRAWING IS UNPUBLISHED. RELEASED FOR PUBLICATION  
 © COPYRIGHT BY TYCO ELECTRONICS CORPORATION. ALL RIGHTS RESERVED.

LOC		DIST		REVISIONS			DATE	DWN	APVD
P	LTR	DESCRIPTION							
	E1	E-08-026542			30Oct2008	CS	MK		



① CODING A1

BESTELL-NR.	REV	POS.	STÜCK	BENENNUNG EINZELTEIL	WERKSTOFF	OBERFLÄCHE FARBE
5-963291-1	E	2	1	33 POS.TAB HSG. COD. D1	PBTP GV20	BROWN
		1	1	SLIDE FOR 33 POS. TAB HSG.	PBTP GV20	RED
4-963291-1	D	2	1	33 POS.TAB HSG. COD. N	PBTP GV20	WHITE
		1	1	SLIDE FOR 33 POS. TAB HSG.	PBTP GV20	RED
3-963291-1	D	2	1	33 POS. TAB HSG. COD. C1	PBTP GV20	BLUE
		1	1	SLIDE FOR 33 POS. TAB HSG.	PBTP GV20	RED
2-963291-1	E	2	1	33 POS. TAB HSG. COD. B1	PBTP GV20	GREY
		1	1	SLIDE FOR 33 POS. TAB HSG.	PBTP GV20	RED
1-963291-1	E	2	1	33 POS. TAB HSG. COD. A1	PBTP GV20	BLACK
		1	1	SLIDE FOR 33 POS. TAB HSG.	PBTP GV20	RED

THIS DRAWING IS A CONTROLLED DOCUMENT.

DIMENSIONS: mm

TOLERANCES UNLESS OTHERWISE SPECIFIED:  
 0 PLC ± 0.3 MM  
 1 PLC ± 0.3 MM  
 2 PLC ± 0.3 MM  
 3 PLC ± -  
 4 PLC ± -  
 ANGLES ± 1.5°

MATERIAL: -

FINISH: -

DWN: B. Buxbaum 25-OCT-95  
 CHK: A. MACHILL 07 OCT 1995  
 APVD: -

Tyco Electronics Tyco Electronics Corporation  
 64625 Bensheim

NAME: 33 POS. MIXED TAB HSG. ASSY

PRODUCT SPEC: -  
 APPLICATION SPEC: -

SIZE: A2 CAGE CODE: 00779 DRAWING NO: C=963291 RESTRICTED TO: -

WEIGHT: -

CUSTOMER DRAWING SCALE: 2:1 SHEET: 1 of 1 REV: E1