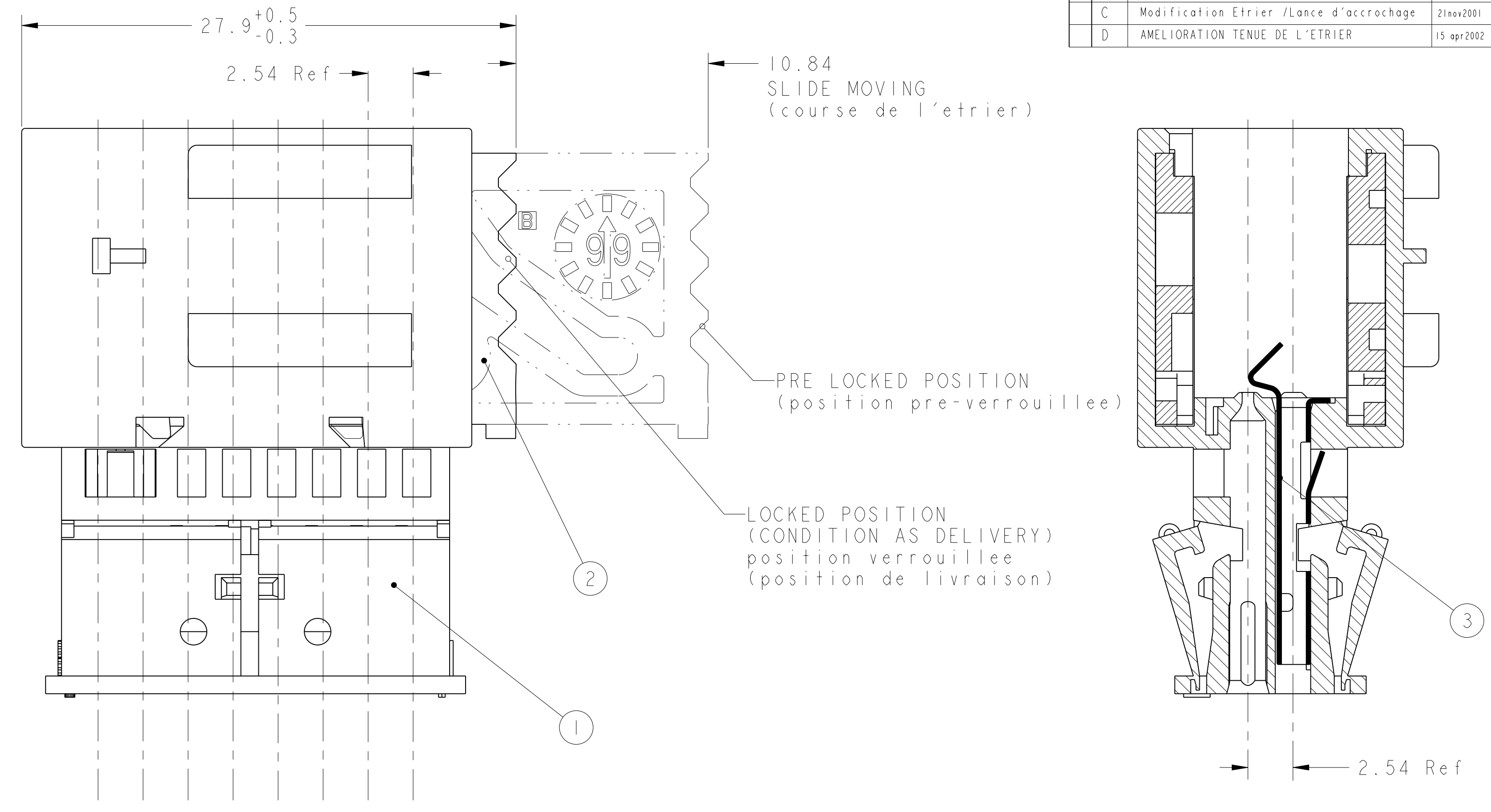
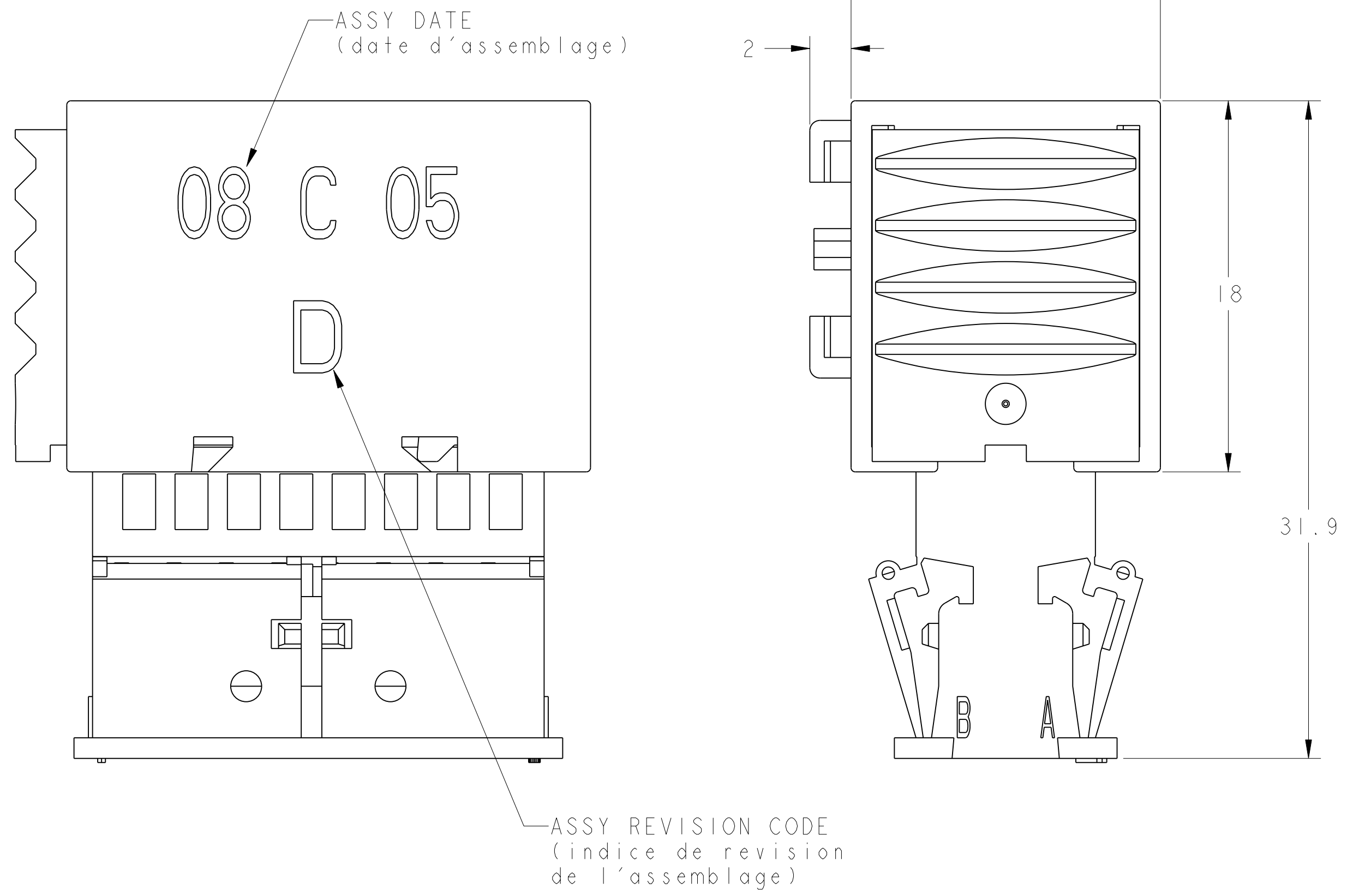


E	Modif indice de revision composant + assemblage	07MAR2005	FJ	JPP
F	Mise en service du nouveau moule	11MAI2006	PB	JPP
G	MODIFICATION DU PRC DE L'ASSEMBLAGE	12AVRIL 2010	PB	JPP

LOC	DIST	REV	DATE	APPD	REV
F	00				
REVISIONS					
REV	DESCRIPTION	DATE	DWN	APPD	REV
A	Amelioration produit	12MAI2006	FG	JPP	
B	Ajout 4 trous optionnels sur volets	09aox2001	FG	JPP	
C	Modification Etrier /Lance d'accrochage	21aox2001	FG	JPP	
D	AMELIORATION TENUE DE L'ETRIER	15 apr2002	FG	JPP	



COUNTERPART (contrepatrie)	COLOR (couleur)	DESCRIPTION (description)	ASSY NUMBER (reference)
4-953892-1	BLUE (BLEU)	MQS PIN HOUSING ASS'Y 8 POS + 4 SHORT CIRCUIT SPRING (PORTE LANGUETTES "MQS") (8 VOIES + 4 SHUNTS)	4-953893-1
3-953892-1	BROWN (MARRON)	MQS PIN HOUSING ASS'Y 10 POS + 3 SHORT CIRCUIT SPRING (PORTE LANGUETTES "MQS") (10 VOIES + 3 SHUNTS)	3-953893-1
2-953892-1	BLACK (NOIR)	MQS PIN HOUSING ASS'Y 12 POS + 2 SHORT CIRCUIT SPRING (PORTE LANGUETTES "MQS") (12 VOIES + 2 SHUNTS)	2-953893-1
1-953892-1	GREY (GRIS)	MQS PIN HOUSING ASS'Y 14 POS + 1 SHORT CIRCUIT SPRING (PORTE LANGUETTES "MQS") (14 VOIES + 1 SHUNT)	1-953893-1
953892-1	GREEN (VERT)	MQS PIN HOUSING ASS'Y 16 POS (PORTE LANGUETTES "MQS") (16 VOIES)	953893-1

PRC (rev)	ASSY PIN (numero assy)	QTTY (qte)	PART NUMBER (numero AMP)	MATERIAL (matiere)	DESCRIPTION (description)	ITEM (ref)
E	4-953893-1	4	953896-1	GOLD STAINLESS STEEL (INOX DORE)	SHORT CIRCUIT SPRING (shunt)	3
E	3-953893-1	3	953895-1	PA6 GF 50 (PA6 50% FV)	SLIDE (etrier)	2
E	2-953893-1	2	4-953894-1	PBT GF 10 (PBT 10% FV)	MQS PIN HSG 8P + 4CC (porte-languettes) (8 voies + 4 shunts)	1
E	1-953893-1	1	3-953894-1	PBT GF 10 (PBT 10% FV)	MQS PIN HSG 10P + 3CC (porte-languettes) (10 voies + 3 shunts)	1
E	953893-1	-	2-953894-1	PBT GF 10 (PBT 10% FV)	MQS PIN HSG 12P + 2CC (porte-languettes) (12 voies + 2 shunts)	1
		-	1-953894-1	PBT GF 10 (PBT 10% FV)	MQS PIN HSG 14P + 1CC (porte-languettes) (14 voies + 1 shunt)	1
		-	953894-1	PBT GF 10 (PBT 10% FV)	MQS PIN HSG 16 P (porte-languettes) (16 voies)	1

DIMENSIONS: mm		TOLERANCES UNLESS OTHERWISE SPECIFIED:		DWN F. JODON 21MAR2001		Tyco Electronics France SAS 95300 Pontoise, France	
		9 PLC ± 1 PLC ±0.2 2 PLC ± 3 PLC ± 4 PLC ± ANGLES ±4°		CH J. LALANGE 21MAR2001 APVD JP. PICAUD 21MAR2001 PRODUCT SPEC 108-15308 APPLICATION SPEC 411-15629		NAME MQS TAB HOUSING ASSY 16 POS OR 8 POS + 4 SHORT CIRCUIT	
MATERIAL SEE TABLE (voir tableau)		FINISH SEE TABLE (voir tableau)		WEIGHT 6g		SIZE CAGE CODE DRAWING NO A1 00779 C=953893	
CUSTOMER DRAWING				SCALE 5:1		SHEET 1 OF 1 REV G	