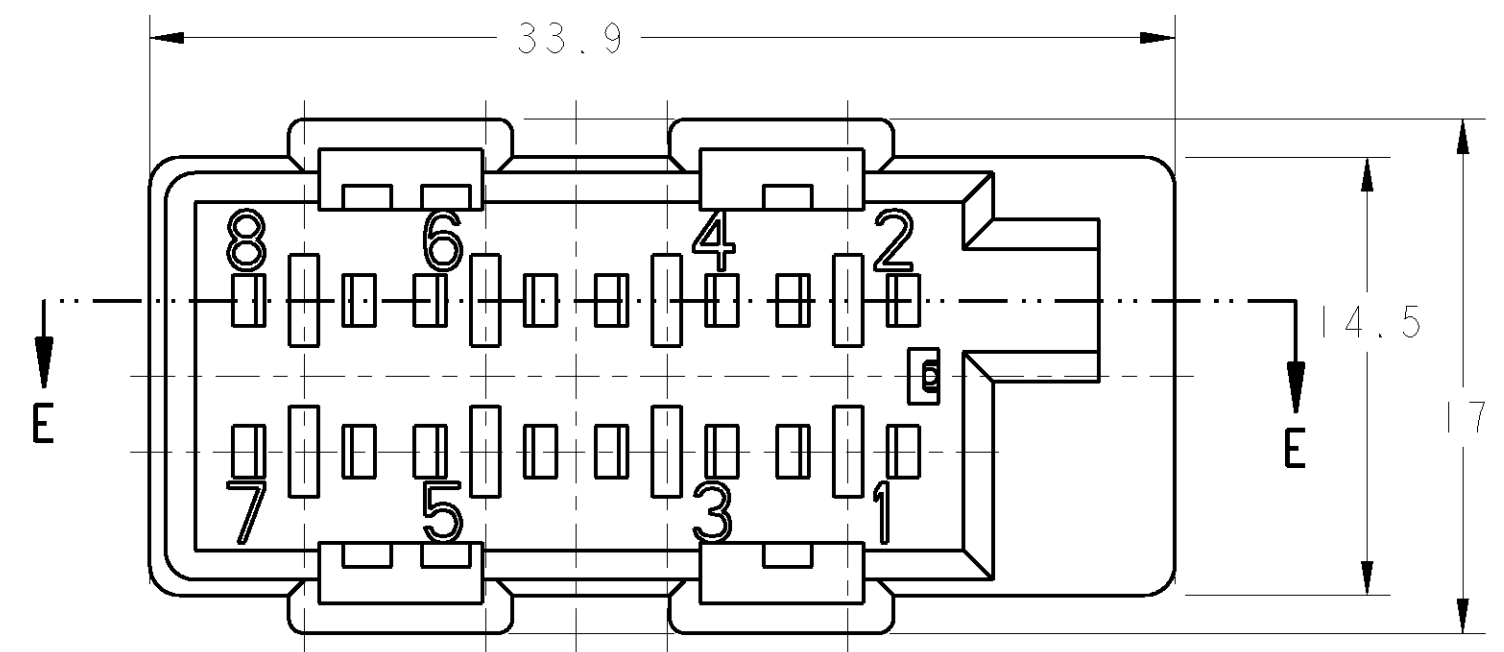
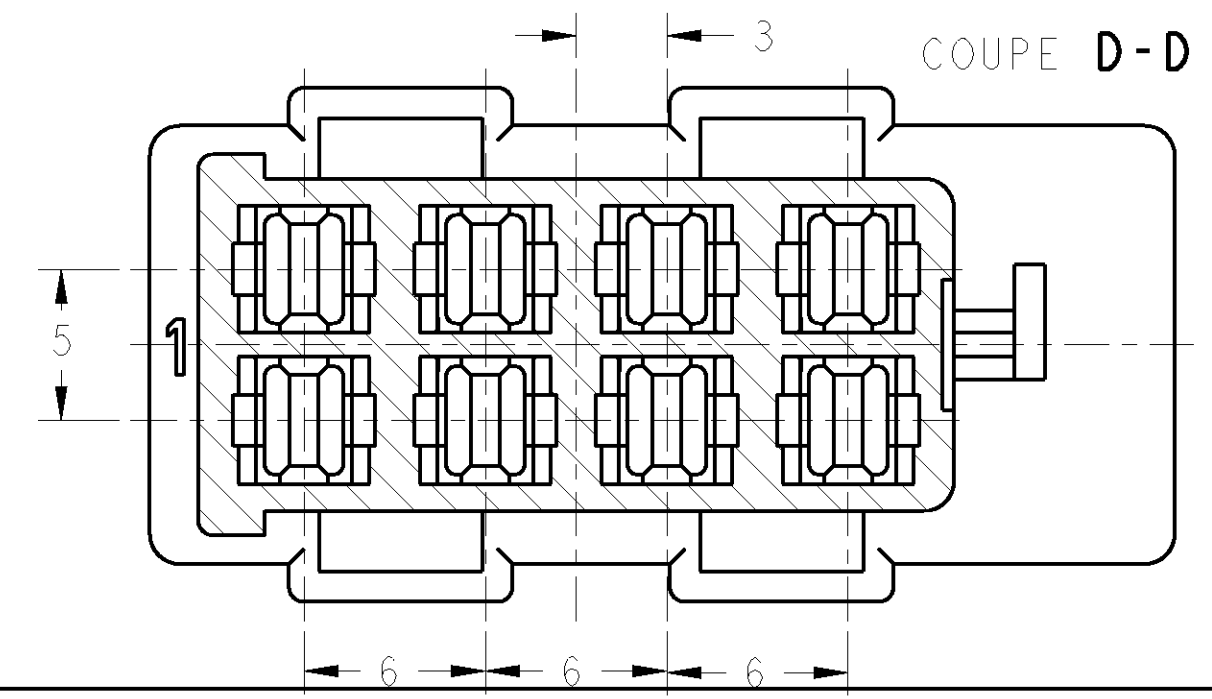
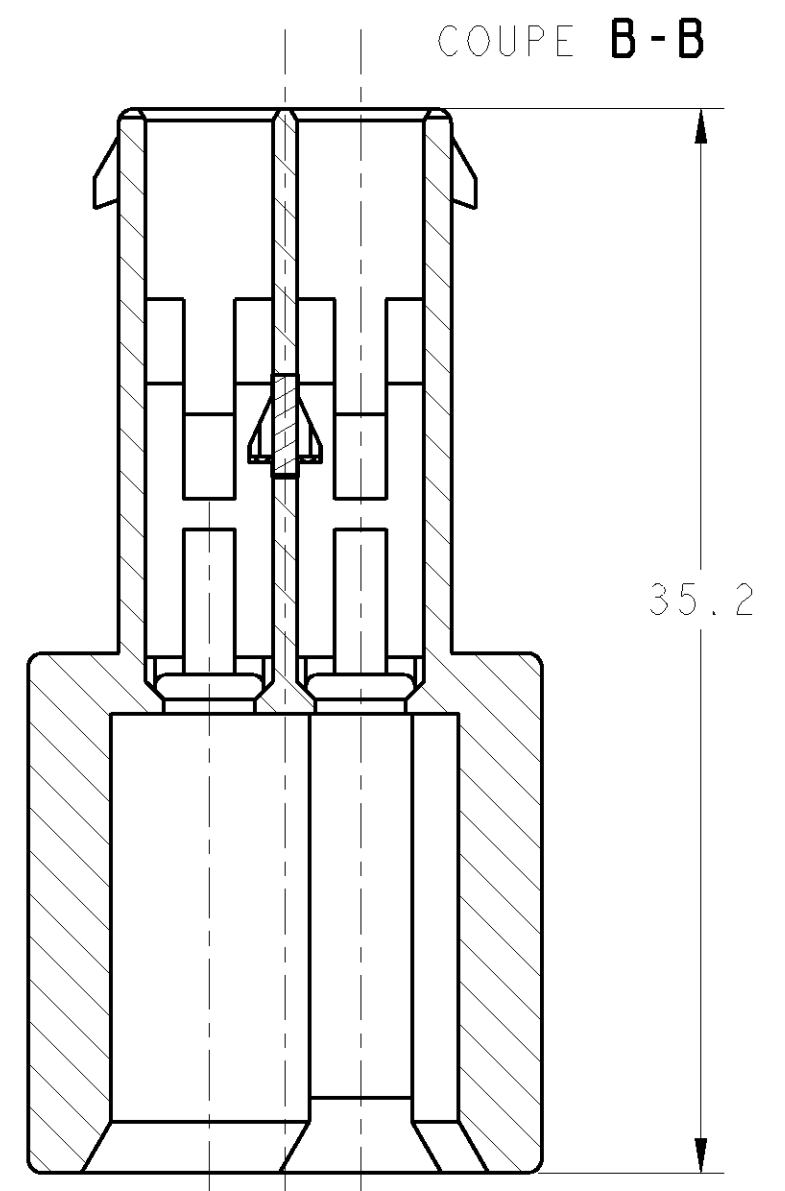
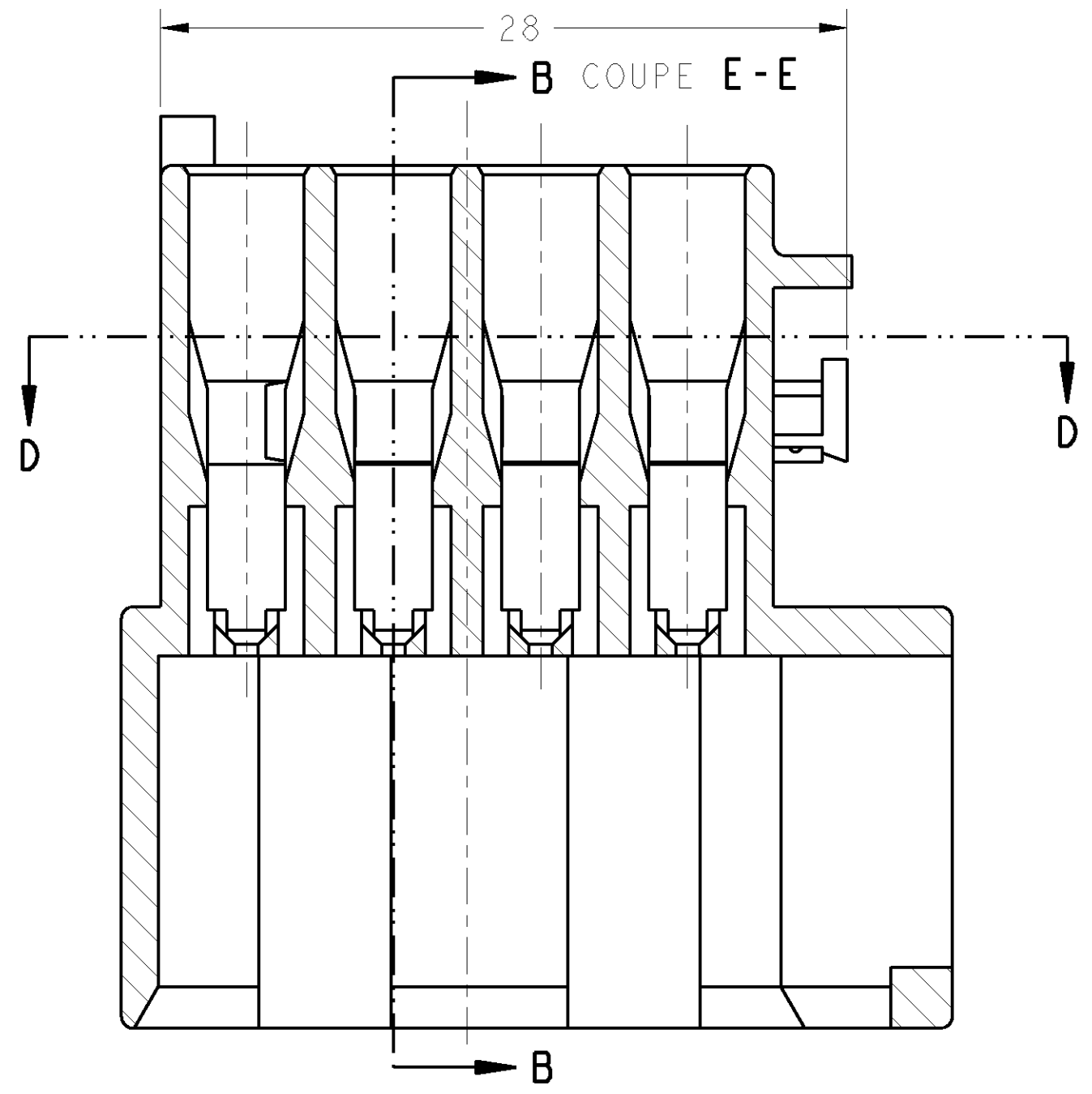


THIS DRAWING IS UNPUBLISHED.
 DIFFUSION RESTREINTE
 © COPYRIGHT 20 BY TYCO ELECTRONICS CORPORATION. ALL RIGHTS RESERVED.
 LIBRE A LA DIFFUSION
 TOUS DROITS RESERVES

LOC	DIST	REVISIONS			
P	LTR	DESCRIPTION MODIFICATIONS	DATE	DWN DESS.	APVD APP.
F	7	A	FIRST ISSUE	13MAR2007	RP JPP



	RETAINER		HOUSING		ASSEMBLY
	COLOR	MATERIAL	COLOR	MATERIAL	
	YELLOW	PA 6.6 20% GF	BLACK	PBT 20% GF	953857-1
			NATURAL		953857-3
			BLACK		953857-2
			NATURAL		953857-4



<small>THIS DRAWING IS A CONTROLLED DOCUMENT FOR TYCO ELECTRONICS CORPORATION IT IS SUBJECT TO CHANGE AND THE CONTROLLING ENGINEERING ORGANIZATION SHOULD BE CONTACTED FOR THE LATEST REVISION. CE PLAN EST UN DOCUMENT CONTROLÉ PAR AMP INCORPORATED. IL EST SUSCEPTIBLE D'ÊTRE RÉVISÉ, CONTACTER LE SERVICE TECHNIQUE D'AMP DE FRANCE POUR OBTENIR LA DERNIÈRE RÉVISION.</small>		DWN/DESSINE 13-APR-99 T. MEZIN CHK/VERIFIE 13-MAR-07 R. PATIN APVD/APPROUVE 13-MAR-07 J.P. PICAUD	tyco Electronics TYCO ELECTRONICS France SAS BP 39, 95301 CERGY-PONTOISE Cedex
DIMENSIONS: mm 	TOLERANCES UNLESS OTHERWISE SPECIFIED: TOLERANCES NON SPECIFIEES (SUIV NB DE DECIMALES) 0 PLC/DEC: ± 1 PLC/DEC: ±0.2 2 PLC/DEC: ± 3 PLC/DEC: ± 4 PLC/DEC: ± ANGLES ±5°	PRODUCT SPEC SPEC. PRODUCT 108-15063 APPLICATION SPEC SPEC. APPLICATION 411-15642	NAME TITRE - 8 POS. TAB HOUSING ASSEMBLY -
MATERIAL/MATIERE SEE TABLE	FINISH/FINITION SEE TABLE	WEIGHT MASSE APPROX. - CUSTOMER DRAWING /PLAN CLIENT	SIZE FORMAT A2 CAGE CODE 00779 DRAWING NO No PLAN C-953857 RESTRICTED TO RESERVE A - SCALE ECHELLE 4:1 SHEET FEUILLE OF DE REV A