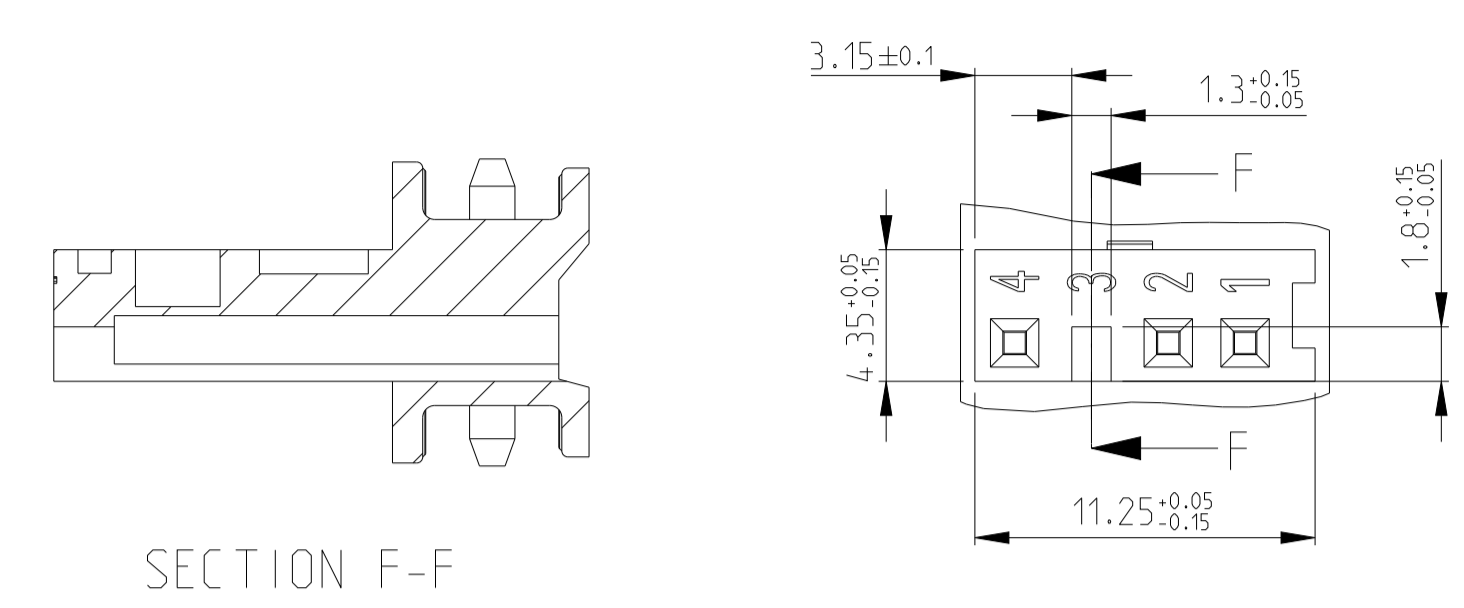
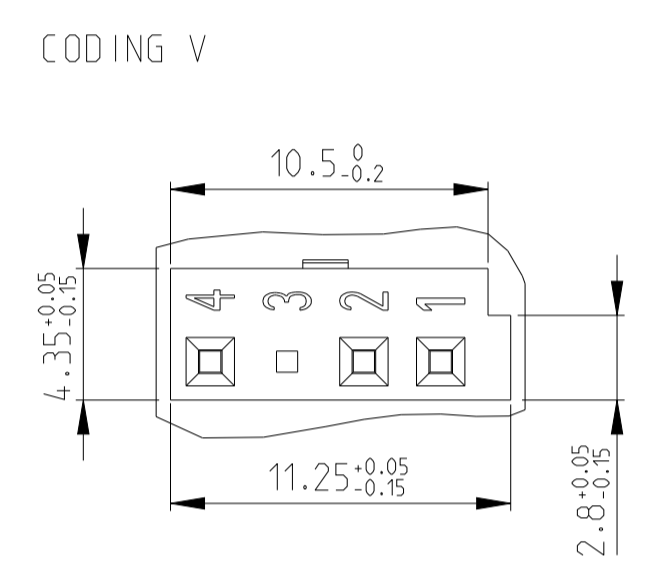


REVISIONS				
P	LTN	DESCRIPTION	DATE	APPV
C		ADDED PN 2-953723-3 AND 2-953723-4	06MAR2015	OB IS
C2		CHANGE CODING 0	23MAR2015	OB IS
D		OBSOLETE VARIANTS	02SEP2022	SE -
E		REACTIVATION PN 1-953723-2, 2-953723-4/3	20OCT2022	SE

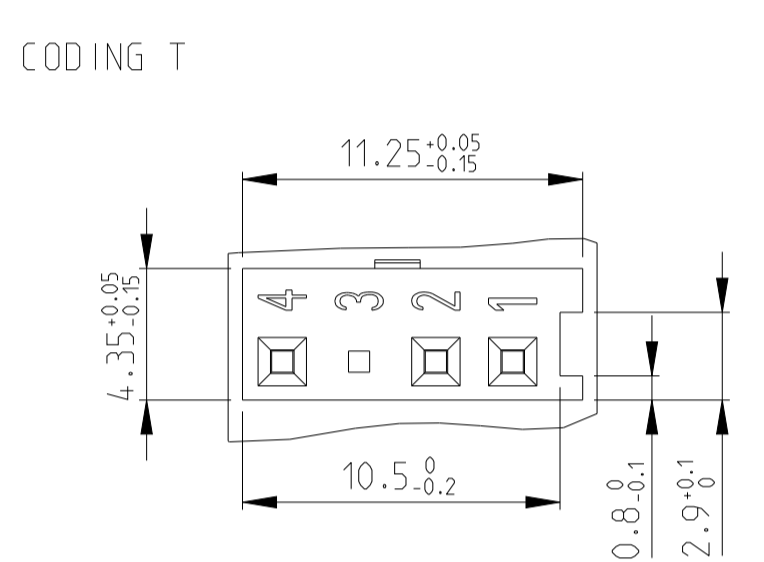
CODING 0



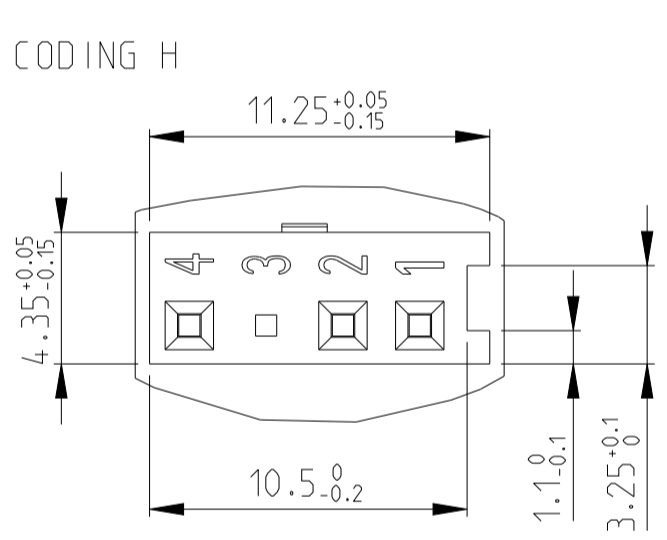
SECTION F-F



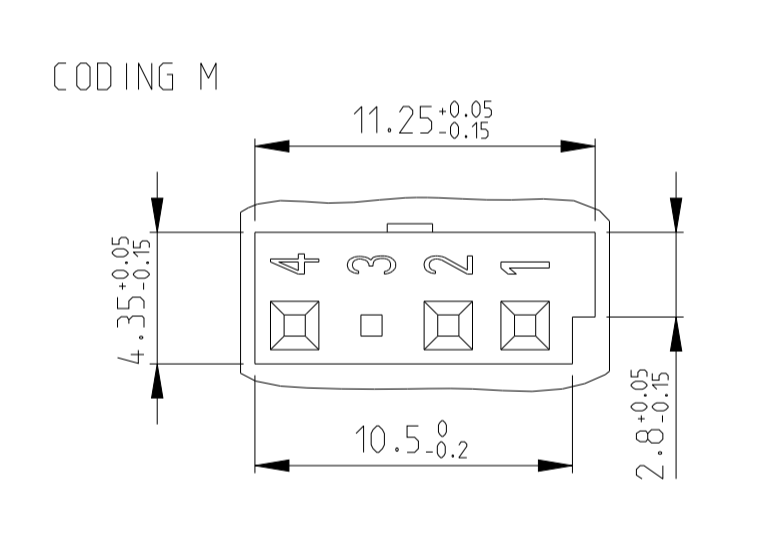
CODING V



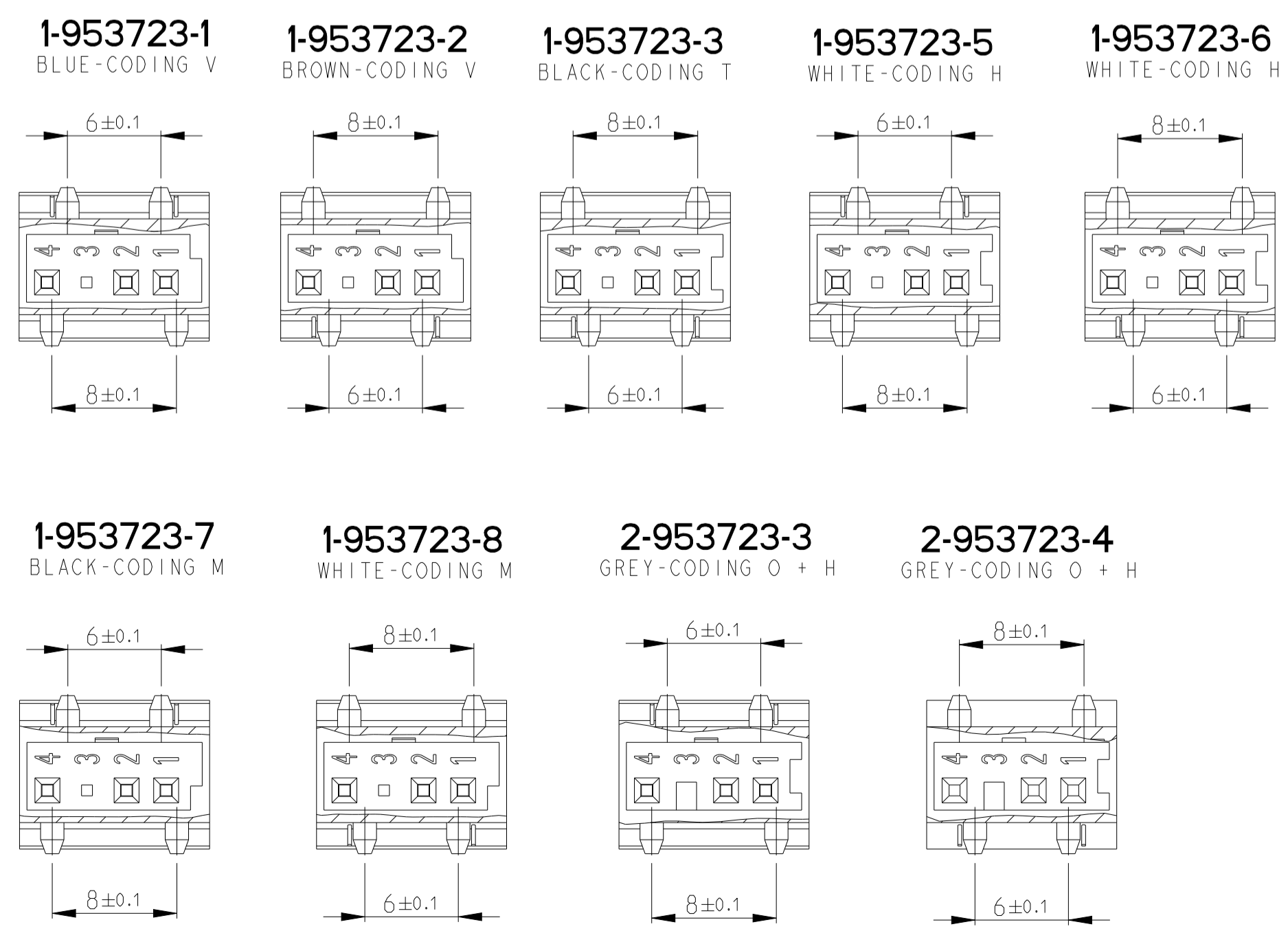
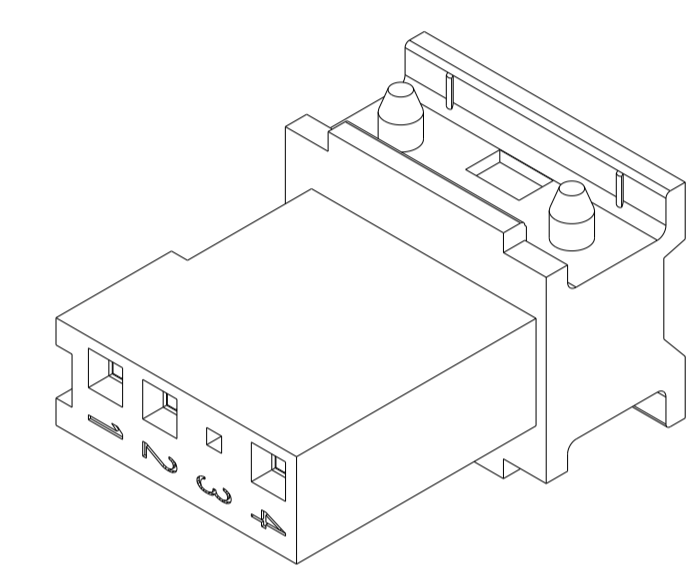
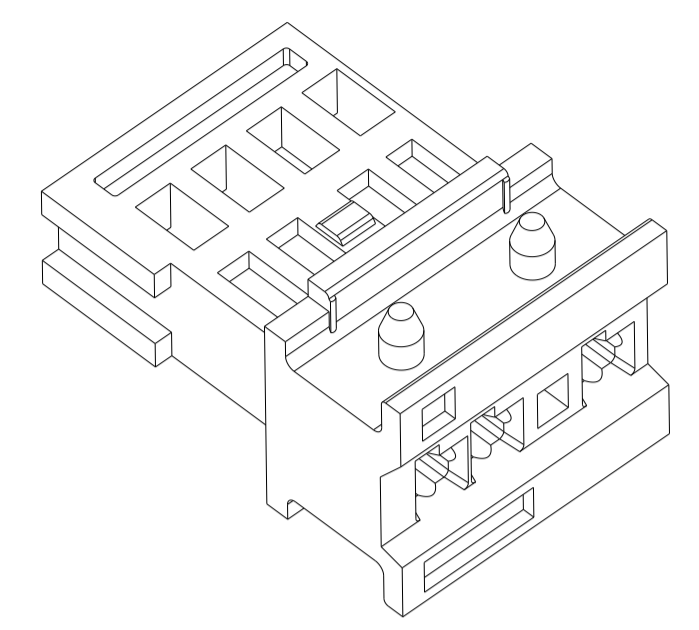
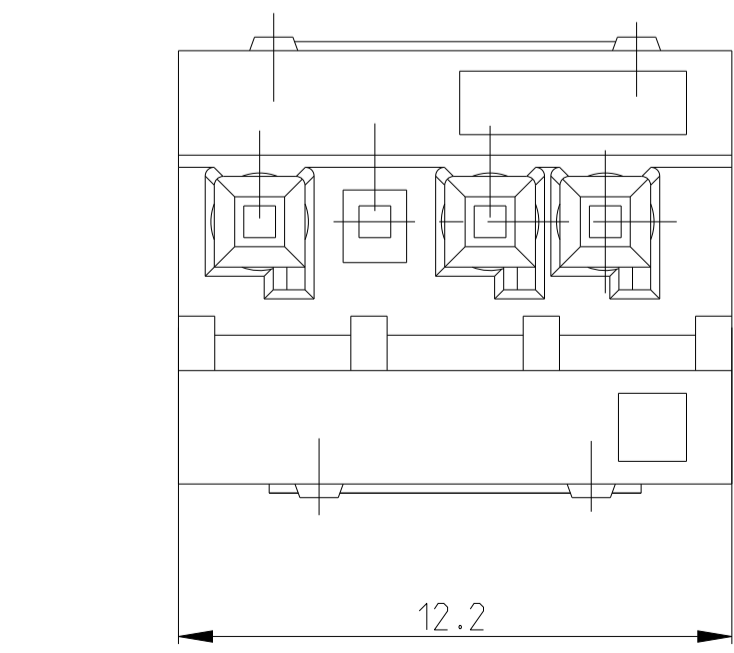
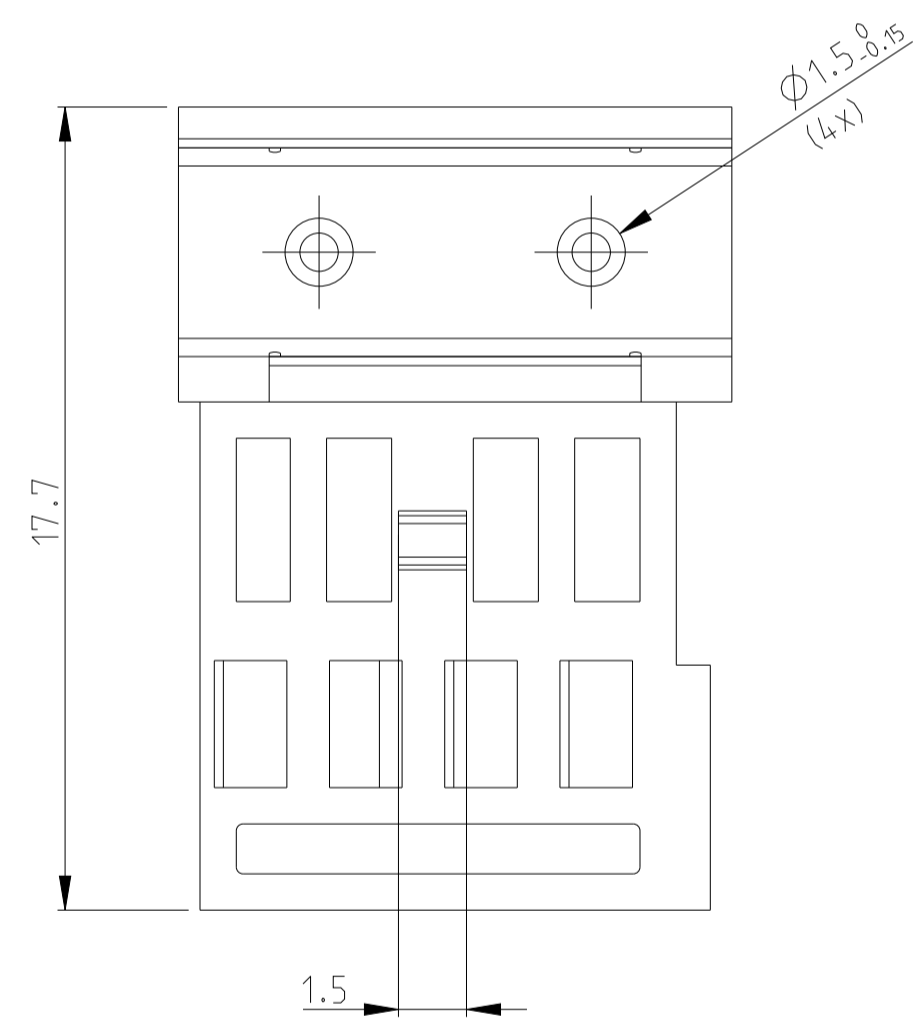
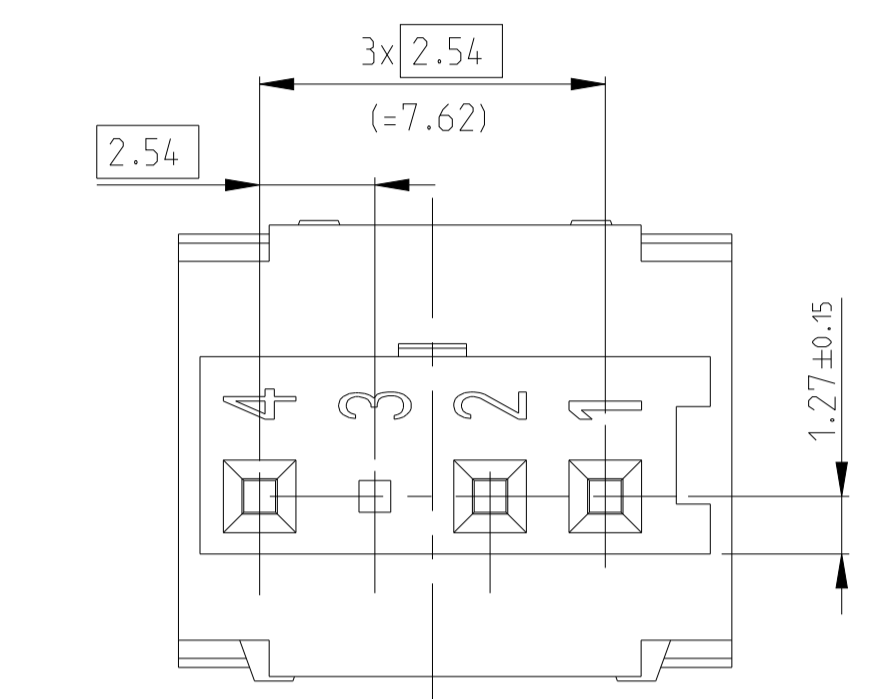
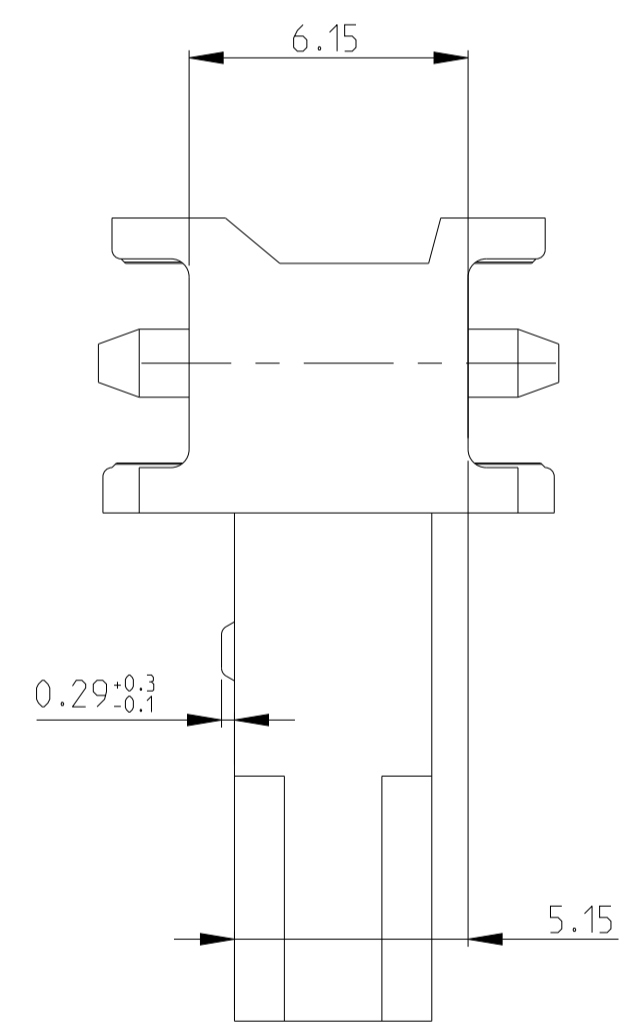
CODING T



CODING H



CODING M



	2-953723-4	GREY (Gris)	O + H	PBT 20% GLASS FIBER
	2-953723-3	GREY (Gris)	O + H	PBT 20% GLASS FIBER
	1-953723-8	WHITE (Blanc)	M	PBT 20% GLASS FIBER
	1-953723-7	BLACK (Noir)	M	PBT 20% GLASS FIBER
	1-953723-6	WHITE (Blanc)	H	PBT 20% GLASS FIBER
	1-953723-5	WHITE (Blanc)	H	PBT 20% GLASS FIBER
	1-953723-3	BLACK (Noir)	T	PBT 20% GLASS FIBER
	1-953723-2	BROWN (Marron)	V	PBT 20% GLASS FIBER
	1-953723-1	BLUE (Bleu)	V	PBT 20% GLASS FIBER
	PART NUMBER (Reference)	COLOR (Couleur)	CODING	MATERIAL (matiere)

THIS DRAWING IS A CONTROLLED DOCUMENT. OWN: T. VERNIER 17SEP2009
 CHK: E. MINY 17SEP2009
 APVD: D. DALINO 17SEP2009

TE Connectivity

NAME: MQS-SOCKET HOUSING, 4POS
 BOITIER MQS 4V

SIZE: A1 CAGE CODE: 00779 DRAWING NO: 953723
 WEIGHT: 0.95

MATERIAL: - FINISH: -

CUSTOMER DRAWING SCALE: 6:1 SHEET 1 OF 1 REV E