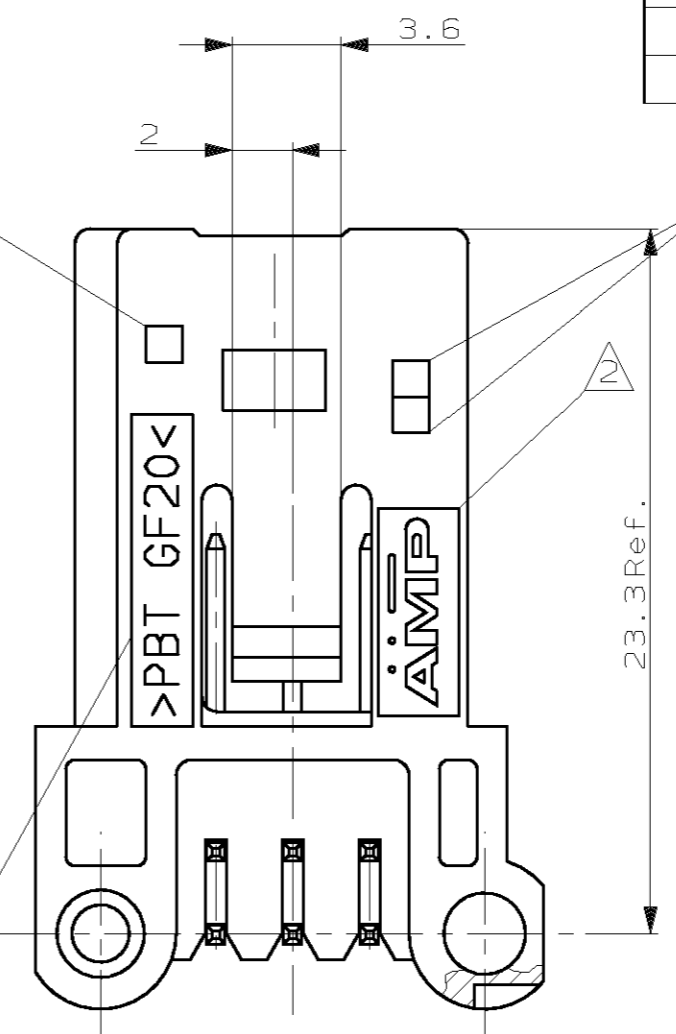
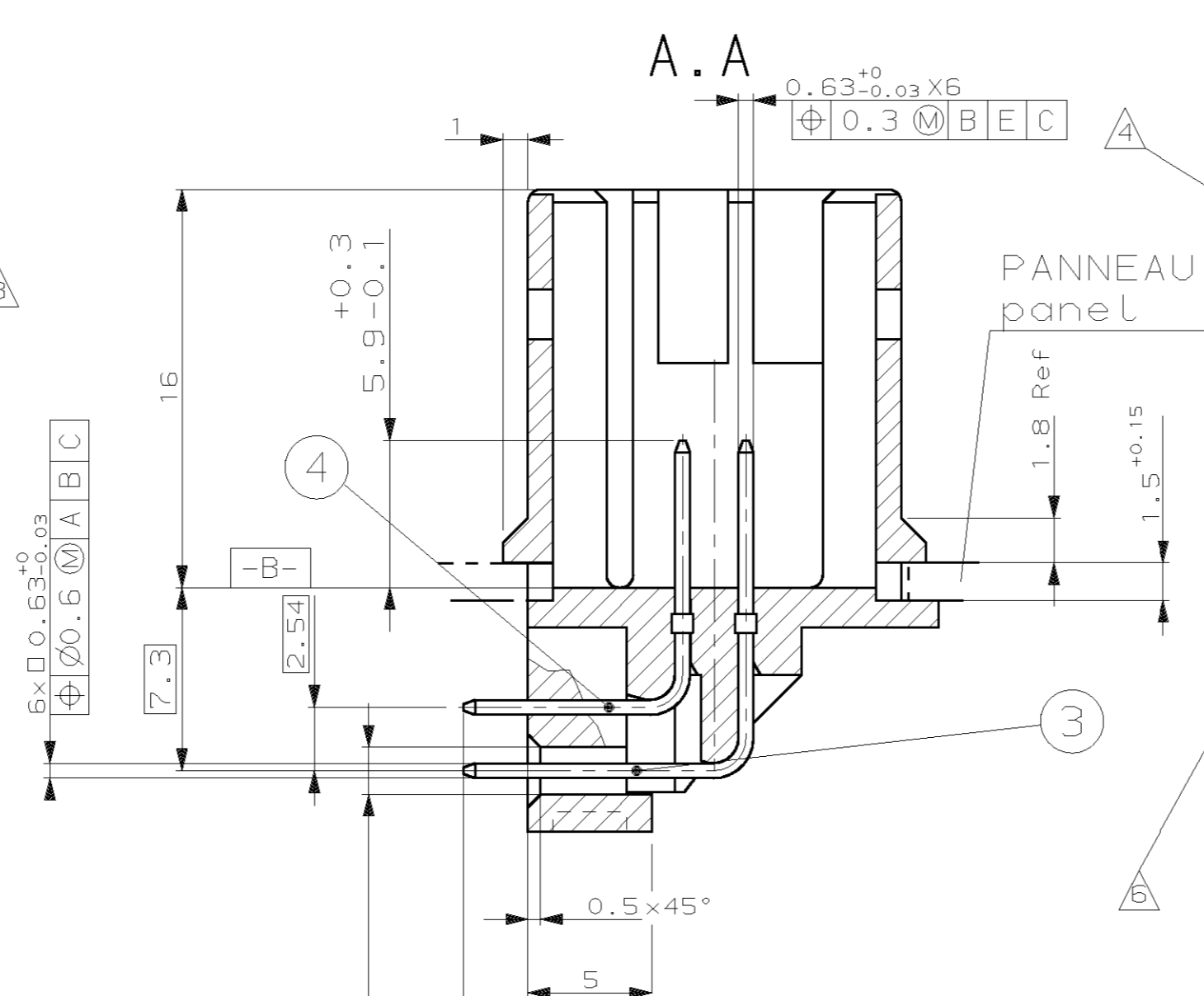
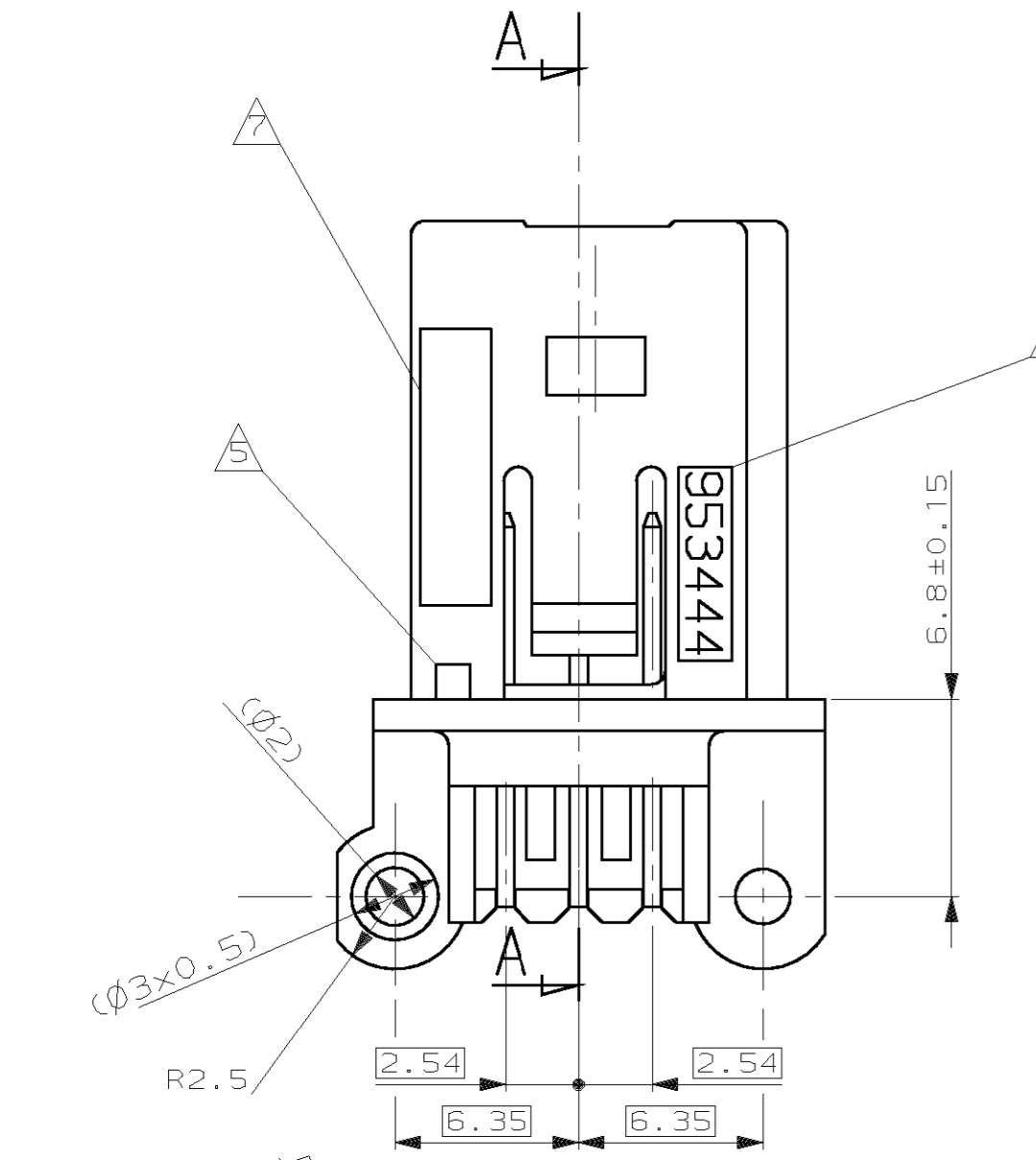
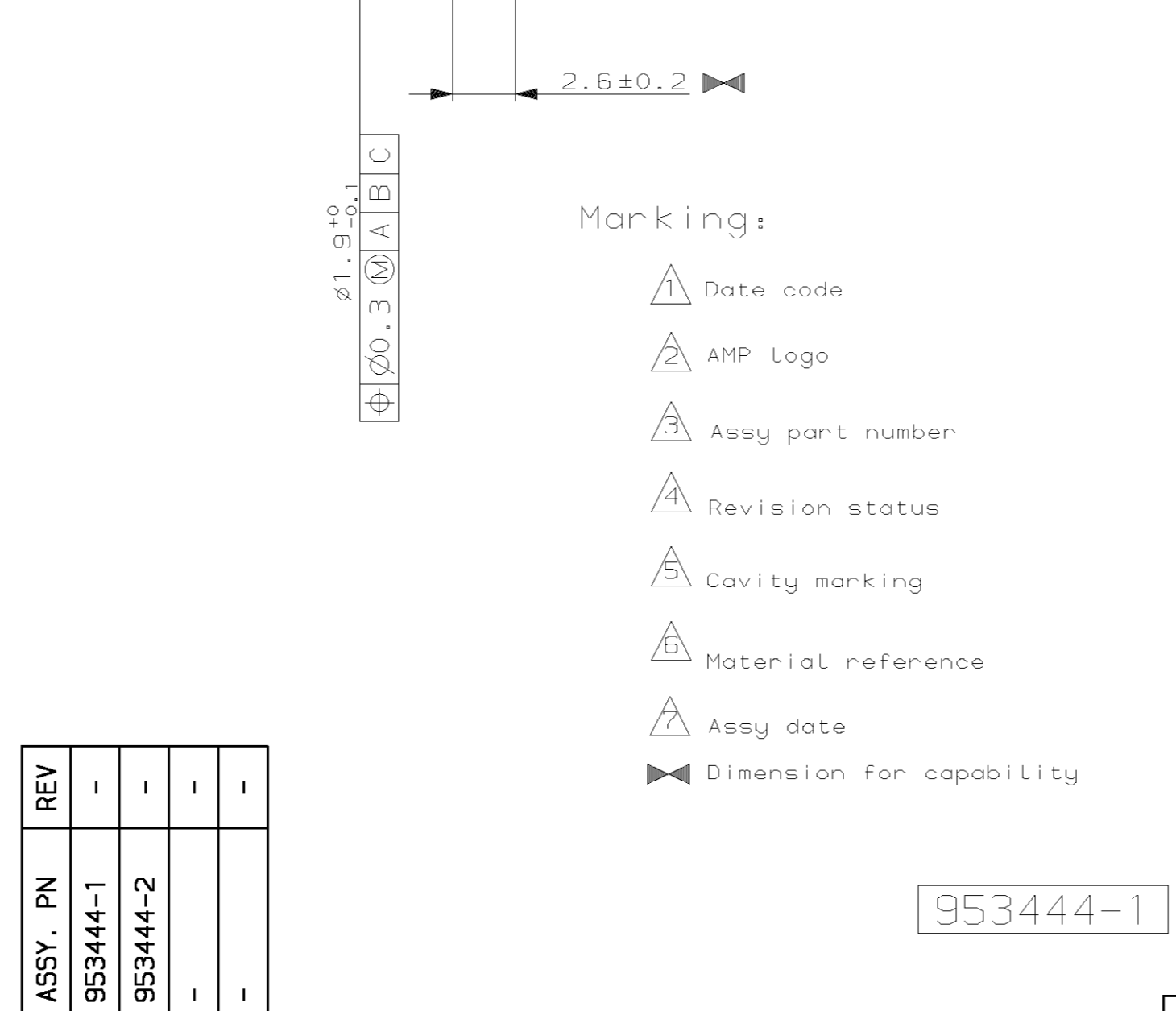
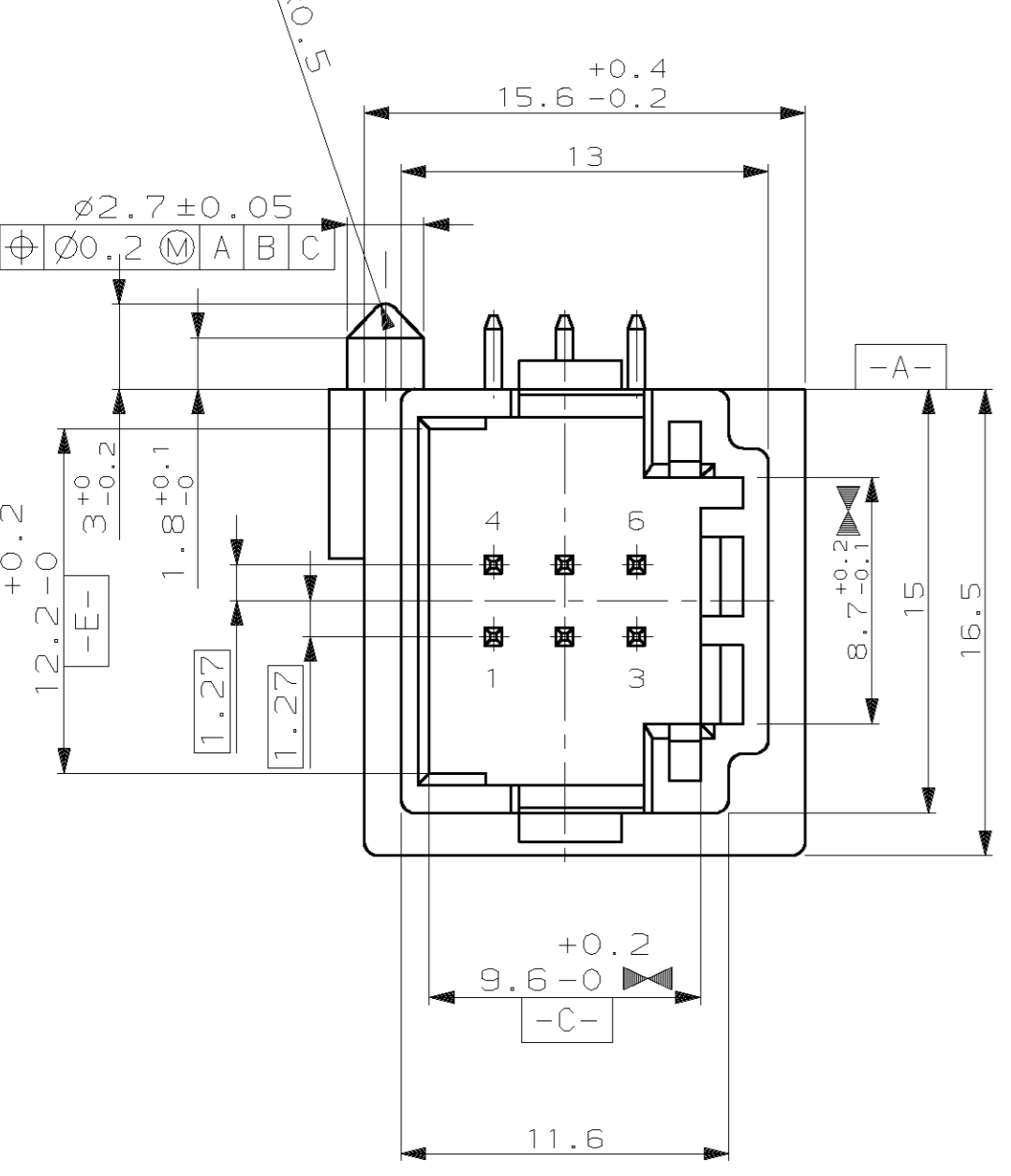


THIS DRAWING IS UNPUBLISHED. DIFFUSION RESTREINTE AMP. RELEASED FOR PUBLICATION. DIFFUSION PUBLIQUE. ALL RIGHTS RESERVED. TOUS DROITS RESERVES.

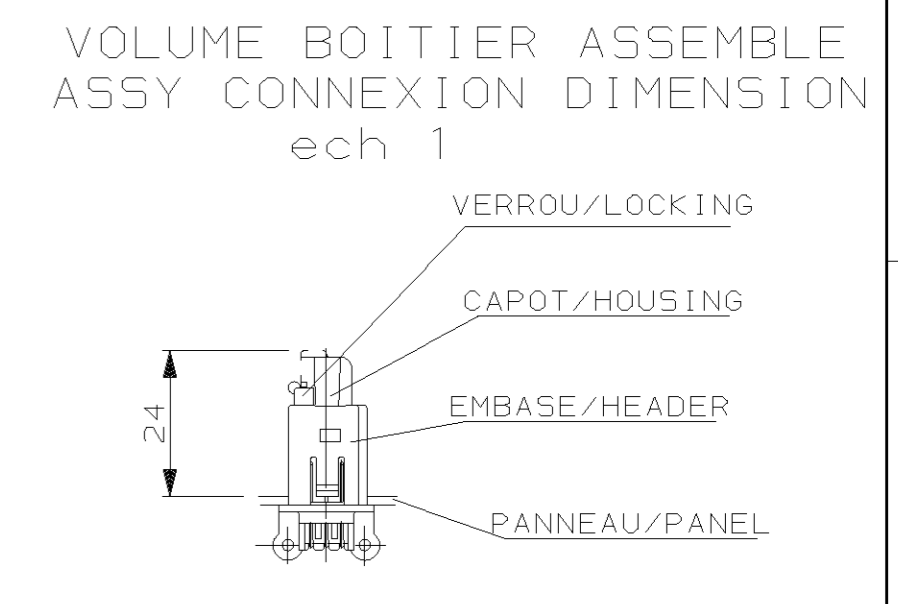
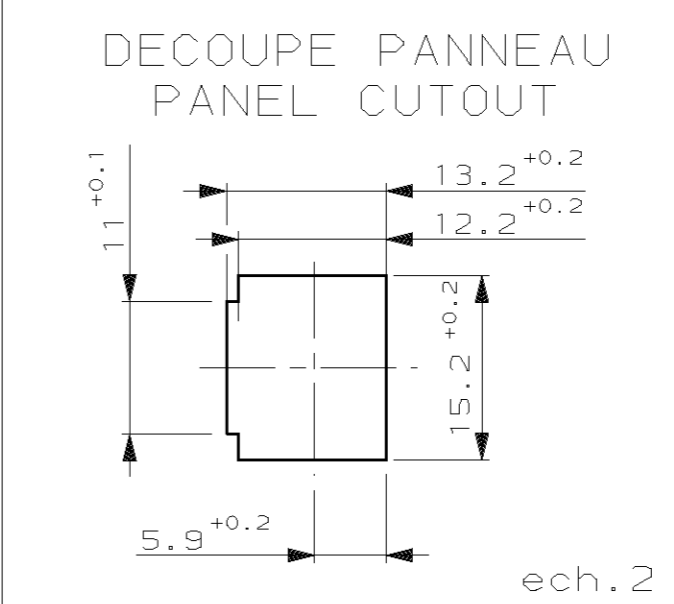
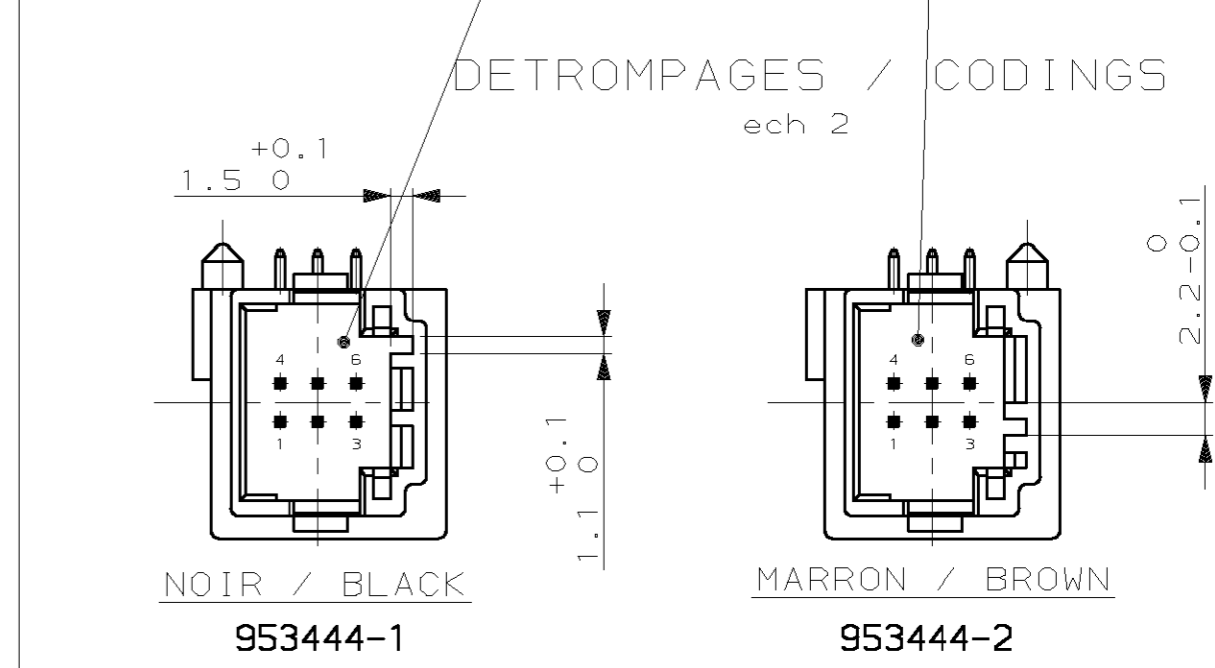
P	LTR REV	DESCRIPTION MODIFICATIONS	DATE	DWN DESS.	APVD APP.
0		REPLACE REF.185869	27-MAI-98	JLQ	-
A		DEPASSEMENT CONT. 2.6 ETAIT 3.5	19-JUL-99	SI	-
B		TOLERANCE COTE 15.6	07-APR-00	JLQ	-



- Marquage:
- 1 Date de fabrication
 - 2 Logo AMP
 - 3 Reference du produit assemble
 - 4 Indice de revision du moule
 - 5 N° d'empreinte de moule
 - 6 Matiere: (voir tableau)
 - 7 Date d'assemblage
 - Dimension for capability



- Marking:
- 1 Date code
 - 2 AMP Logo
 - 3 Assy part number
 - 4 Revision status
 - 5 Cavity marking
 - 6 Material reference
 - 7 Assy date
 - Dimension for capability



ASSY. PN	REV
953444-1	-
953444-2	-
-	-
-	-

QTY	MATERIAL	DESIGNATION / NAME	COULEUR / COLOR	REP.
3	CuSn6	MQS SHORT CONTACT	POST ETAME / POST TIN	4
3	CuSn6	MQS LONG CONTACT	POST ETAME / POST TIN	3
1	PBT GF20	BOITIER / HOUSING	MARRON / BROWN	2
1	PBT GF20	BOITIER / HOUSING	NOIR / BLACK	1

953444-1

THIS DRAWING IS A CONTROLLED DOCUMENT FOR AMP INCORPORATED. IT IS SUBJECT TO CHANGE AND THE CONTROLLING ENGINEERING ORGANIZATION SHOULD BE CONTACTED FOR THE LATEST REVISION. CE PLAN EST UN DOCUMENT CONTROLÉ PAR AMP INCORPORATED. IL EST SUSCEPTIBLE D'ÊTRE RÉVISÉ. CONTACTER LE SERVICE TECHNIQUE D'AMP SE FRANCE POUR OBTENIR LA DERNIÈRE RÉVISION.

DIMENSIONS: mm

TOLERANCES UNLESS OTHERWISE SPECIFIED: (SUIV NB DE DECIMALES):

- Ø PRECISION ±
- Ø PRECISION ±0.3
- Ø PRECISION ±
- Ø PRECISION ±
- Ø PRECISION ±
- ANGLES ±5°
- FINISH FINITION -

MATERIAL MATIERE -

DWN/DESSINE: J. LAQUERBE 27-MAY-98
 CHK/VERIFIE: J. LAQUERBE 18-APR-00
 APVD/APPROUVE: J.J. REVIL 18-APR-00

NAME TITRE: AMP DE FRANCE 95301 PONTOISE

PRODUCT SPEC: 108-15150
 SPEC. PRODUIT: 108-15150
 APPLICATION SPEC: -
 SPEC. APPLICATION: -

WEIGHT MASSE APPROX.: 2.5gr
 CUSTOMER DRAWING/PLAN CLIENT: UNIFORMEMENT POUR REFERENCE

SIZE FORMAT: A2
 CAGE CODE: 00779
 DRAWING NO TITRE: C-953444

SCALE ECHELLE: 4:1
 SHEET FEUILLE: 1 DE 1
 REV: B