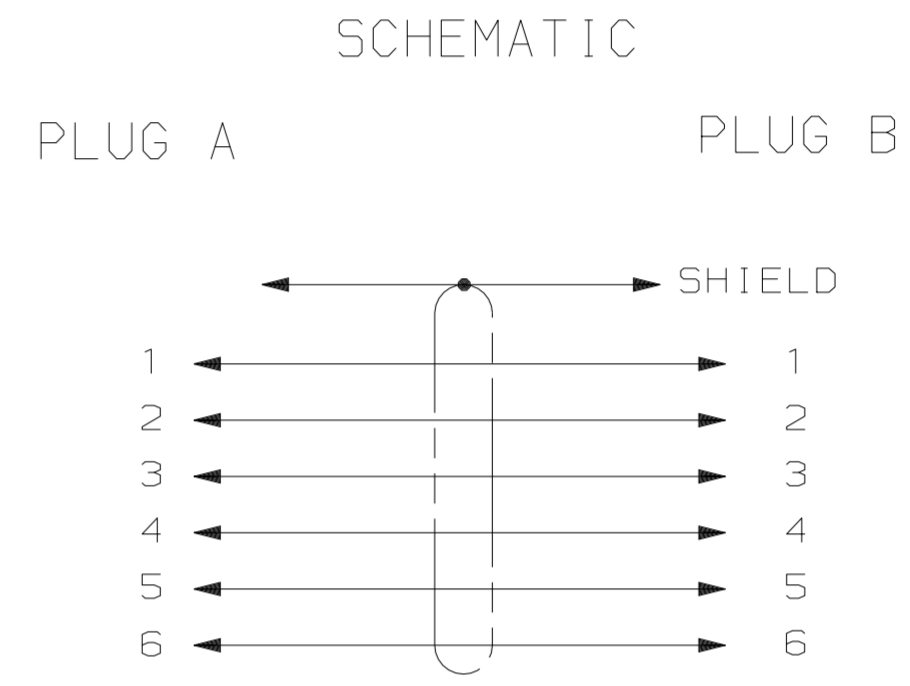
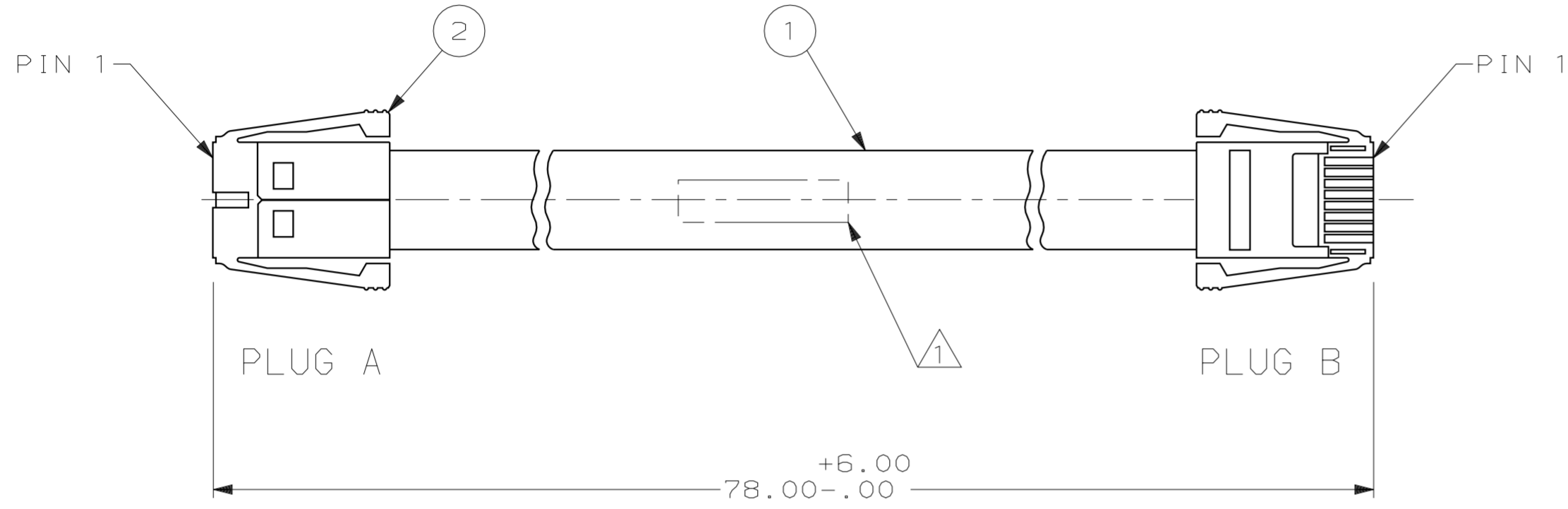


THIS DRAWING IS UNPUBLISHED. RELEASED FOR PUBLICATION ,19 .  
 © COPYRIGHT 19 BY AMP INCORPORATED. ALL INTERNATIONAL RIGHTS RESERVED.

M		LOC	DIST	REVISIONS			
P	F	ZONE	LTR	DESCRIPTION	DATE	APPD	
				0	RELEASED, WAS 88-1008-21,NPR 2246	12-88	-
✓	✓			01	CHANGED DWG LOC & DIST	9-2-93	DL



1 AMP, 943028-1, AND DATE CODE MARKED ON CABLE AT THIS APPROXIMATE LOCATION.

5-520423-2	520473-1	B	943028-1
2 PLUG ASSEMBLY QTY=2	1 FLAT CABLE BLACK	STYLE	PART NO

DO NOT SCALE PRINT. UNLESS SPECIFIED DIMENSIONS IN INCHES TOLERANCES ON : 2 PLC DEC ± - 3 PLC DEC ± - ANGLES ± -	DR 12-8-88 J.McCLINTON	AMP INCORPORATED Harrisburg, Pa. 17105		
	CHK 12-8-88 R.STONE			NAME
MATERIAL -	APPD 12-8-88 R.W.MYERS	CABLE ASSY, 6 CONDUCTOR, FLAT, 24 AWG, SDL		
FINISH -	APPD 12-8-88 D.SUMMERS			
	PRODUCT SPEC -	SIZE C	FSCM NO 00779	DRAWING NO 943028
	APPLICATION SPEC 114-2086	SCALE 2:1		SHEET 1 OF 1
	WEIGHT -			