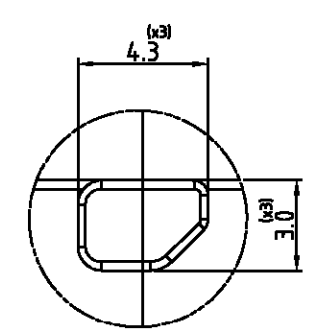
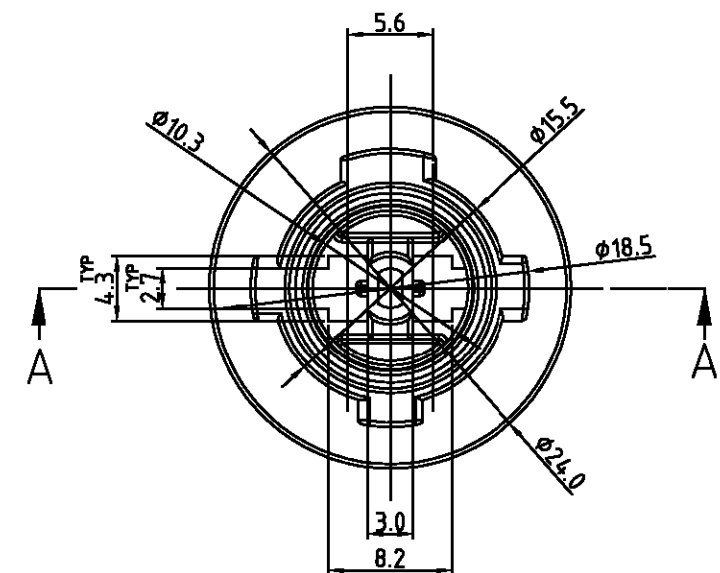
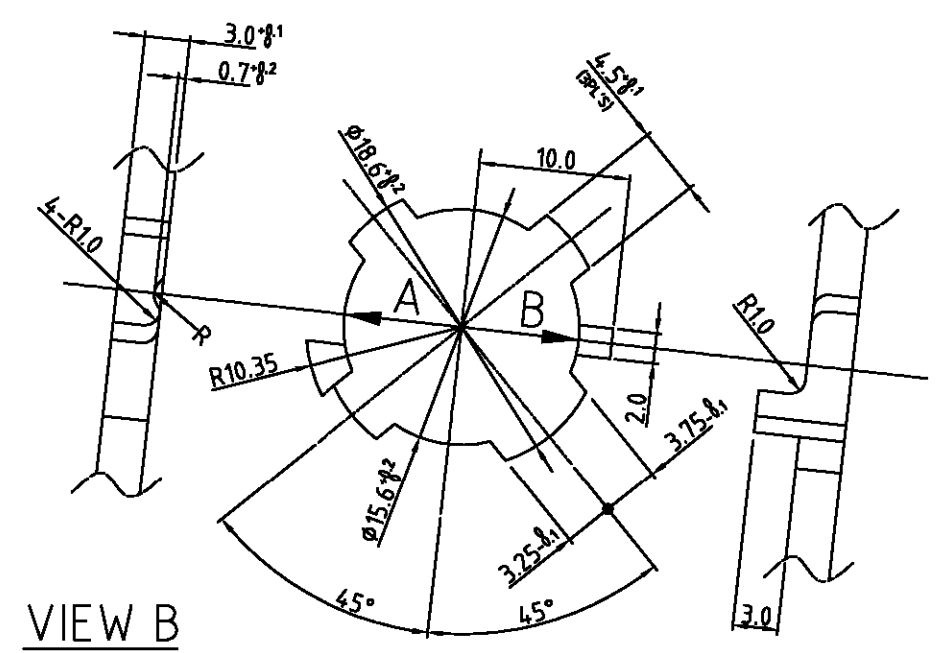


THIS DRAWING IS UNPUBLISHED. RELEASED FOR PUBLICATION
 COPYRIGHT BY TYCO ELECTRONICS CORPORATION. ALL RIGHTS RESERVED.

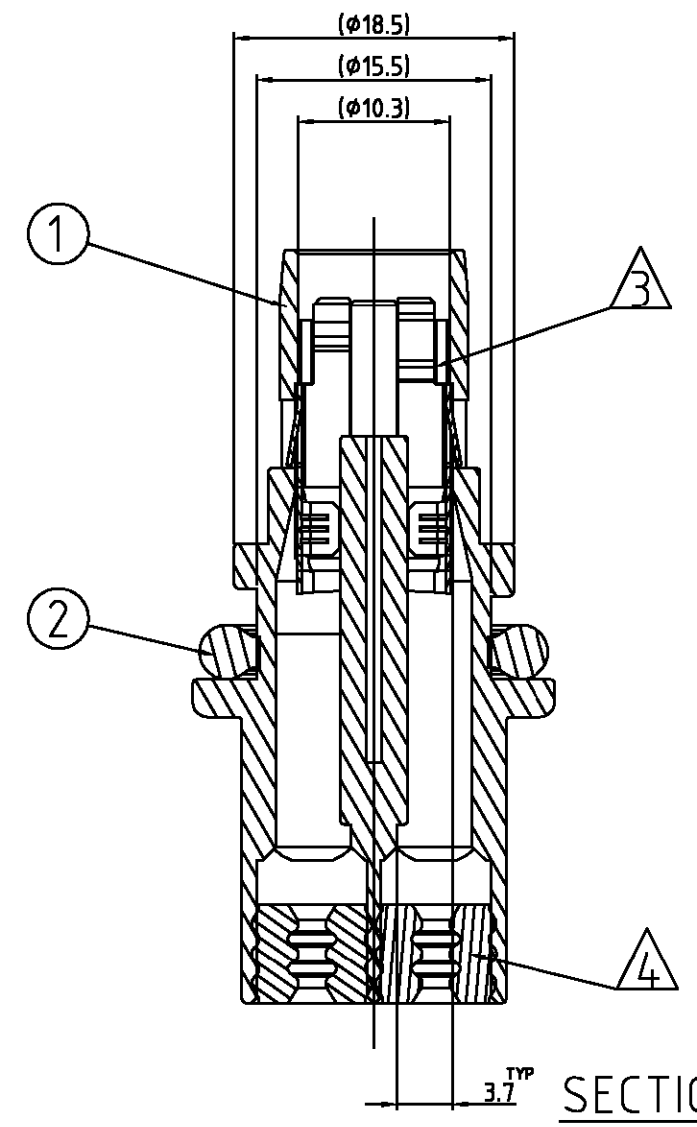
REVISIONS					
P	LTR	DESCRIPTION	DATE	DWN	APVD
0		RELEASED(FC00-0207-04)	21/SEP/04	YD.	CS



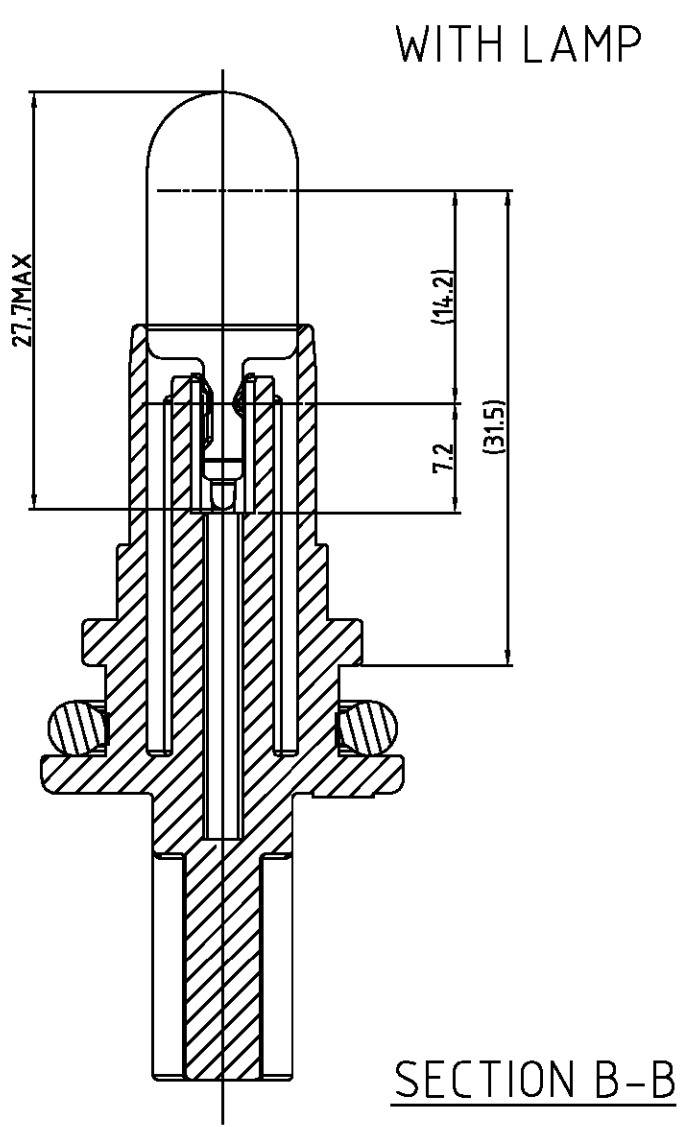
DETAIL C
SCALE 4/1



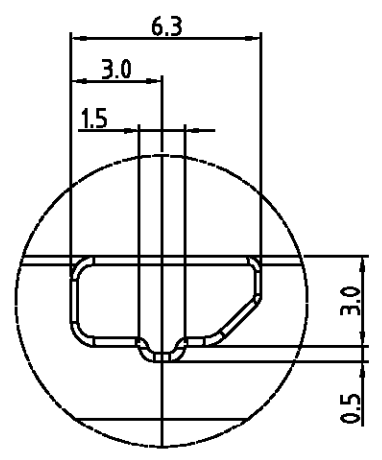
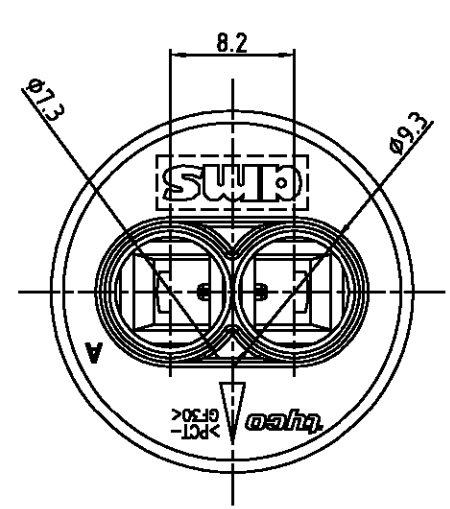
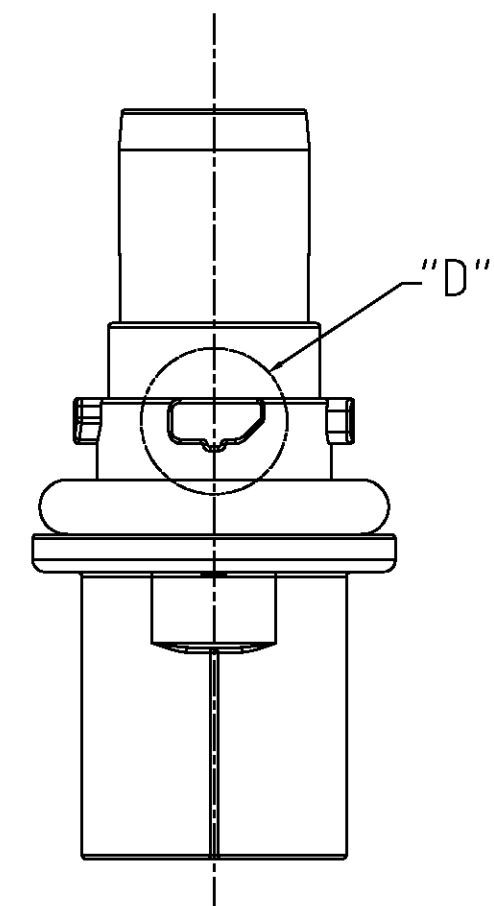
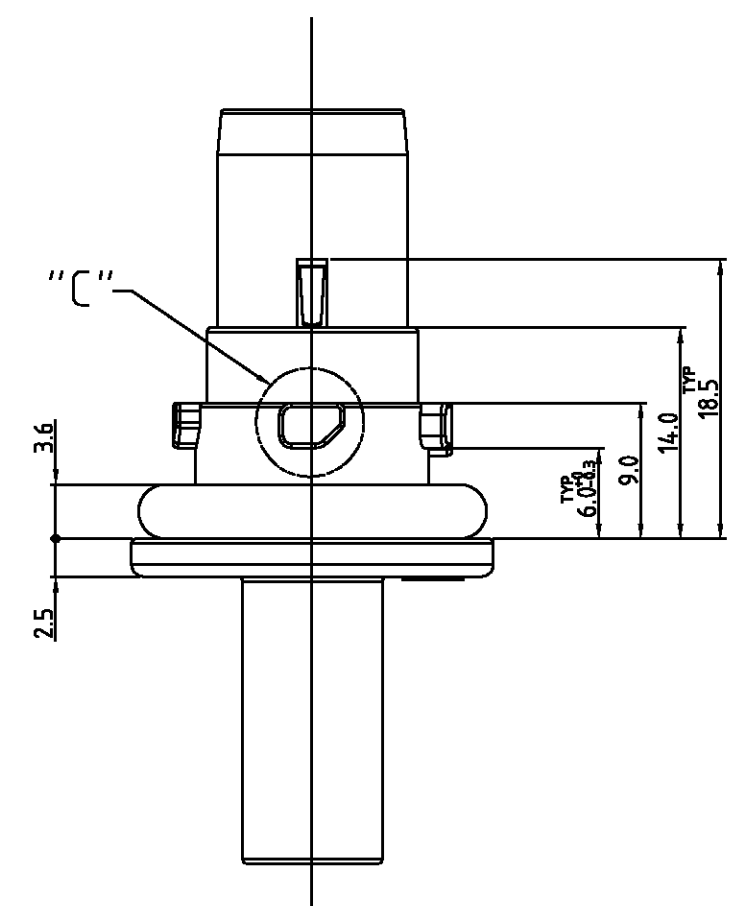
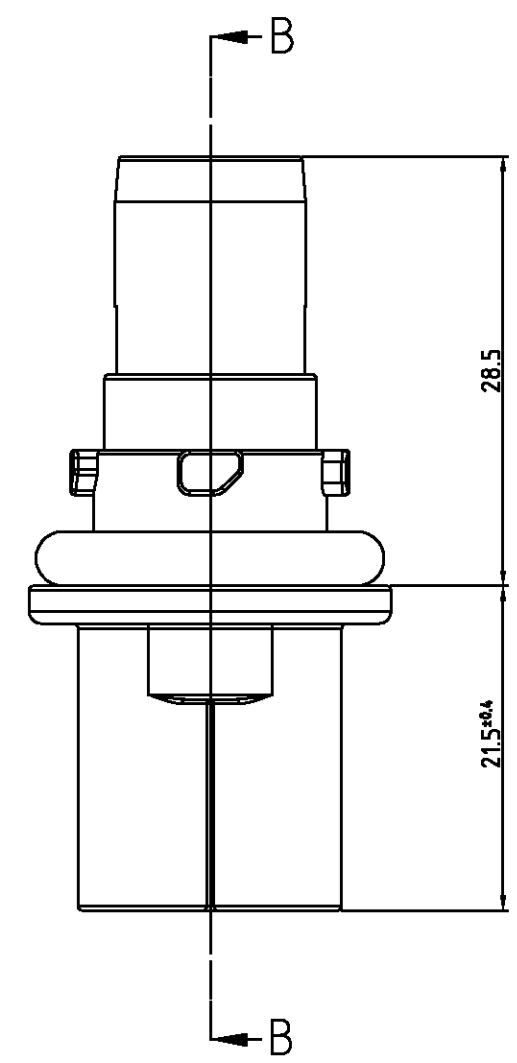
(HOUSING HOLE)
SCALE 2/1



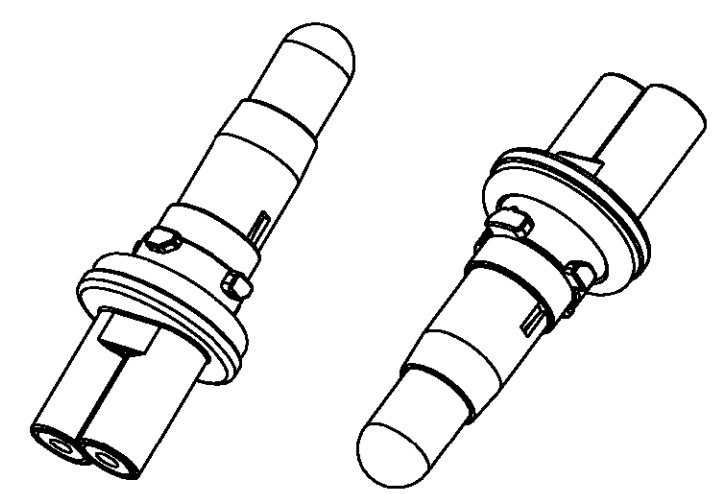
SECTION A-A



SECTION B-B



DETAIL D
SCALE 4/1



3D-VIEW
SCALE 1/1

NOTE
 1. 0.3MAX. WARPAGE AND 0.2 MAX. FLASH ARE PERMISSIBLE.
 2. SURFACE DEFECTS ARE NOT ACCEPTABLE AS FOLLOW :
 SINK, WELD LINE, HAIRCRACKS, STAIN & SCORES
 APPLIED CONTACT P/NO : 936929
 APPLIED WIR SEAL P/NO : 936931

control priority dimension;
 CRITICAL, MAJOR, MINOR
THIS DRAWING IS A CONTROLLED DOCUMENT FOR TYCO ELECTRONICS CORPORATION IT IS SUBJECT TO CHANGE AND THE CONTROLLING ENGINEERING ORGANIZATION SHOULD BE CONTACTED FOR THE LATEST REVISION.

DIMENSIONS: MM	TOLERANCES UNLESS OTHERWISE SPECIFIED: DECIMALS: ± 0.3 ANGLES: ± 3°
3rd ANGLE PROJECTION	FINISH

NO.	DESCRIPTION	P/N	MATERIAL	COLOR	Q'TY
2	O-RING	0-936930-1	SILICON	BLACK(RAL 9011)	1
1	POSITION BULB HOLDER 2POS HSG	0-936742-2	PCT GF30 (0-705279-2)	BLACK	1

DWN : YO LEE
 CHK : BM JANG
 APVD : CS LEE
 PRODUCT SPEC
 APPLICATION SPEC
 WEIGHT

tyco AMP KOREA.
 Electronics kyungsan, korea
 NAME
 POSITION BULB HOLDER 2POS ASS'Y FOR WEDGE BULB
 SIZE: A2 CAGE CODE: 00779 DRAWING NO: 936741 RESTRICTED TO: C
 SCALE: 2/1 SHEET: 1 OF 1 REV: 0