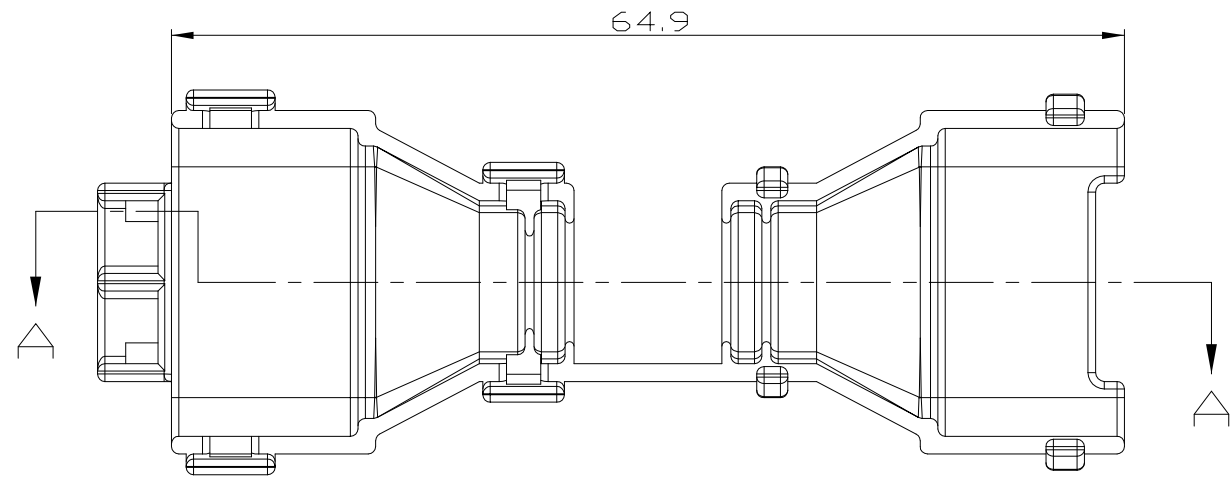
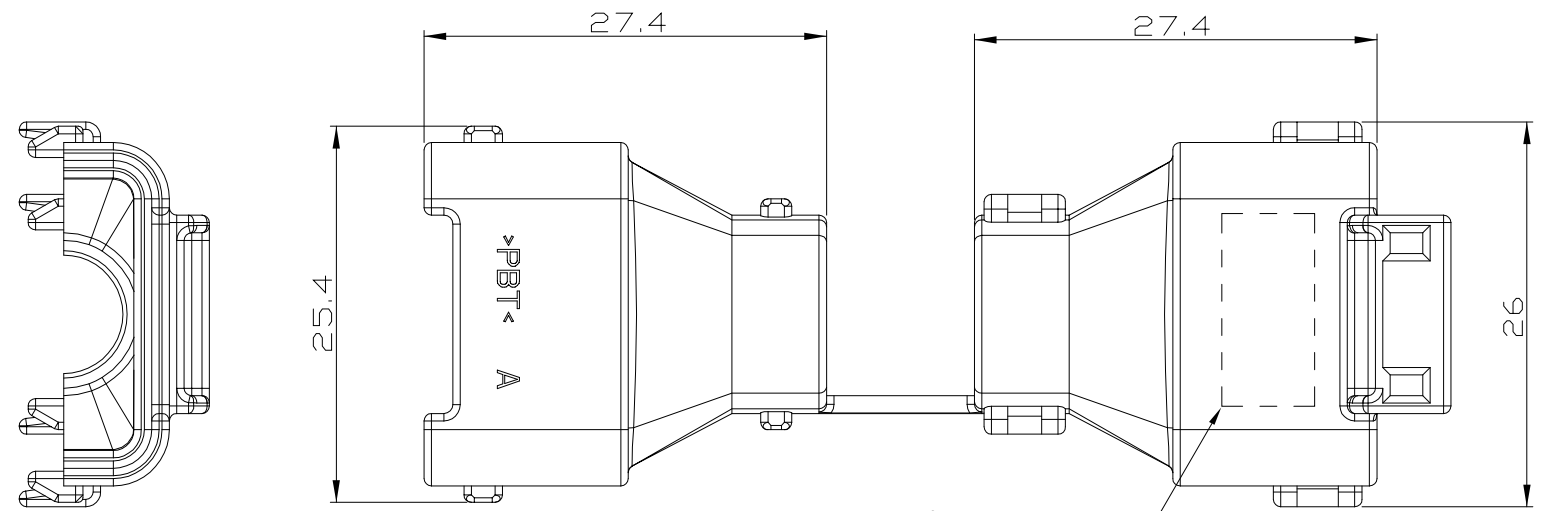


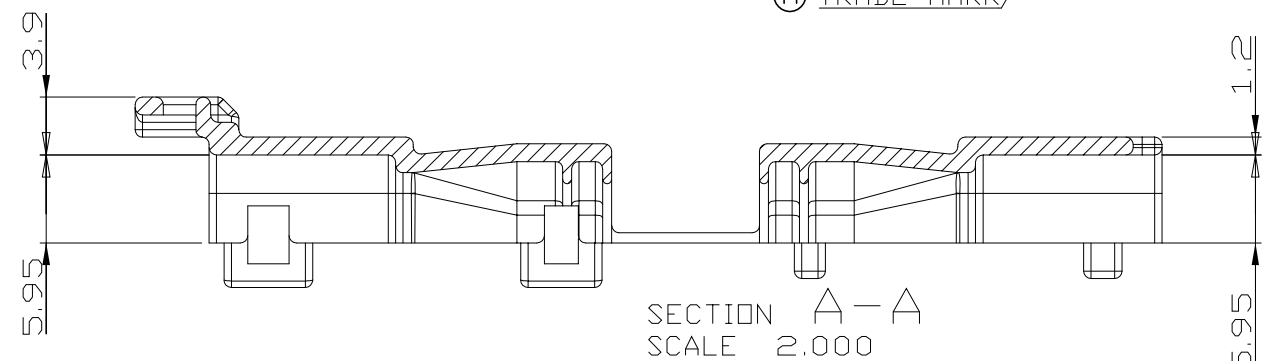
LOC	DIST	REVISIONS			
P	LTR	DESCRIPTION	DATE	DWN	APVD
DS	-				
		RELEASED(FC00-0129-03)	04SEP2003	MS	CS
		REVISED(ECR-10-024624)	03,DEC.'10	JH	HG



SCALE 2.000



Ⓐ TRADE MARK

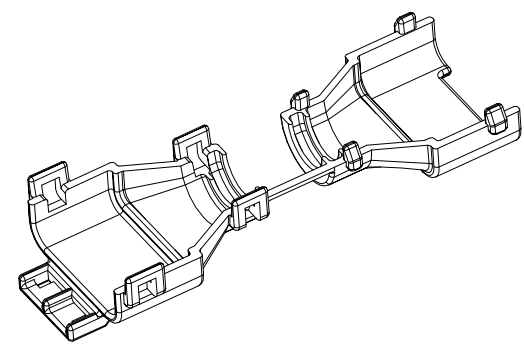


SECTION A-A
SCALE 2.000

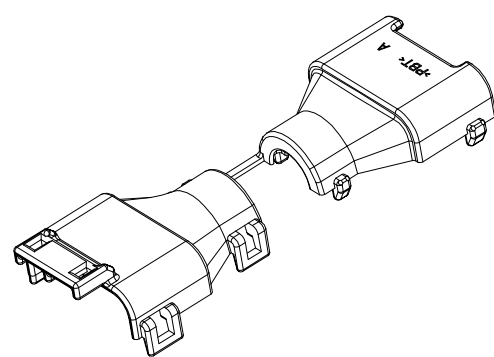
NOTES:

1. ALL RADII ARE 0.5 EXCEPT AS INDICATED.
2. APPLICABLE CORRUGATE TUBE : $\phi 7.0\text{mm}$
3. APPLICABLE CONN'R PART NO. : X-936403-X
4. GENERAL TOLERANCE IS ± 0.3

BLACK	PBT<TRIBIT 1503 B>	COVER HSG FOR 10P CAP CONN'R	0-936660-2
COLOR	MATERIAL	DESCRIPTION	PART NO.



SCALE 1.000



SCALE 1.000

THIS DRAWING IS A CONTROLLED DOCUMENT FOR TYCO ELECTRONICS CORPORATION
 IT IS SUBJECT TO CHANGE AND THE CONTROLLING ENGINEERING ORGANIZATION
 SHOULD BE CONTACTED FOR THE LATEST REVISION.

DIMENSIONS:	TOLERANCES UNLESS OTHERWISE SPECIFIED:
mm	
	0 PLC \pm
	1 PLC \pm
	2 PLC \pm
	3 PLC \pm
	4 PLC \pm
	ANGLES \pm
MATERIAL	FINISH
PBT	-

DWN	JH CHO	Tyco Electronics kyungsan, korea					
CHK	KT LIM						
APVD	HG CHO						
PRODUCT SPEC	-						
APPLICATION SPEC	-	NAME					
WEIGHT	-	COVER HSG FOR .040 SEALED 10P CAP ASS'Y					
SIZE	A3	CAGE CODE	00779	DRAWING NO	C-936660	RESTRICTED TO	
SCALE	2:1	SHEET	1	OF	1	REV	A