

4

3

2

1

THIS DRAWING IS UNPUBLISHED.

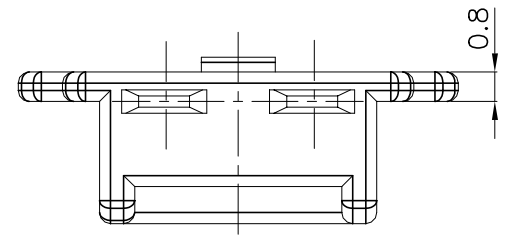
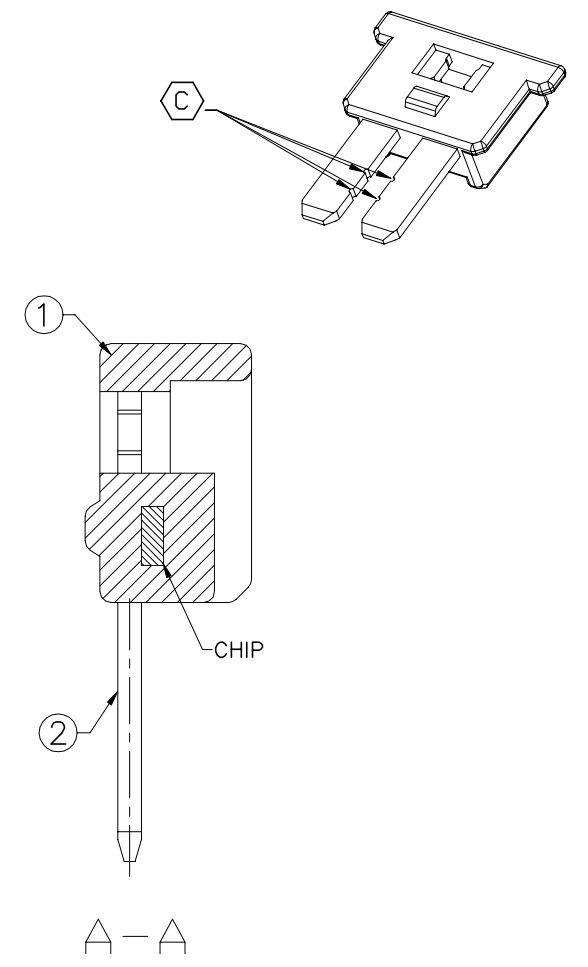
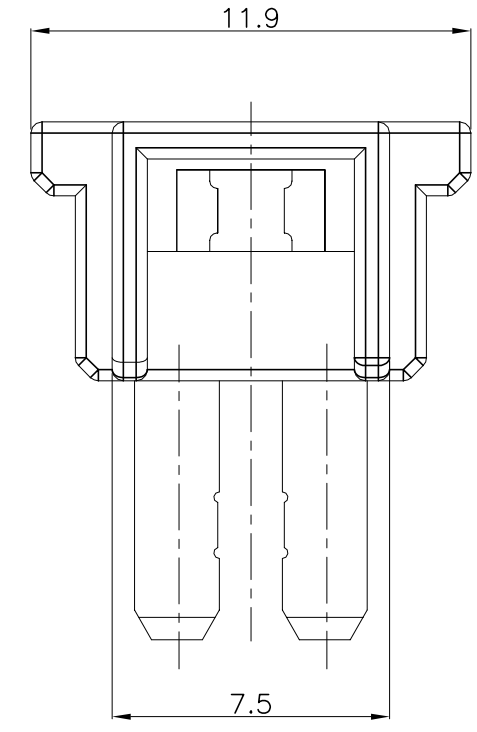
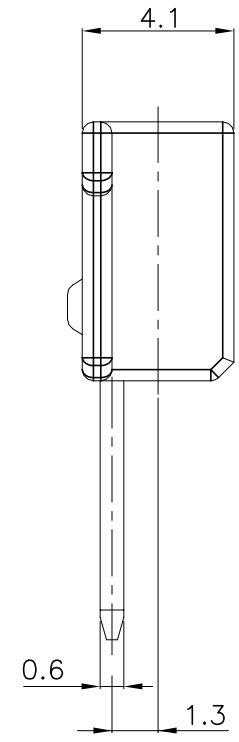
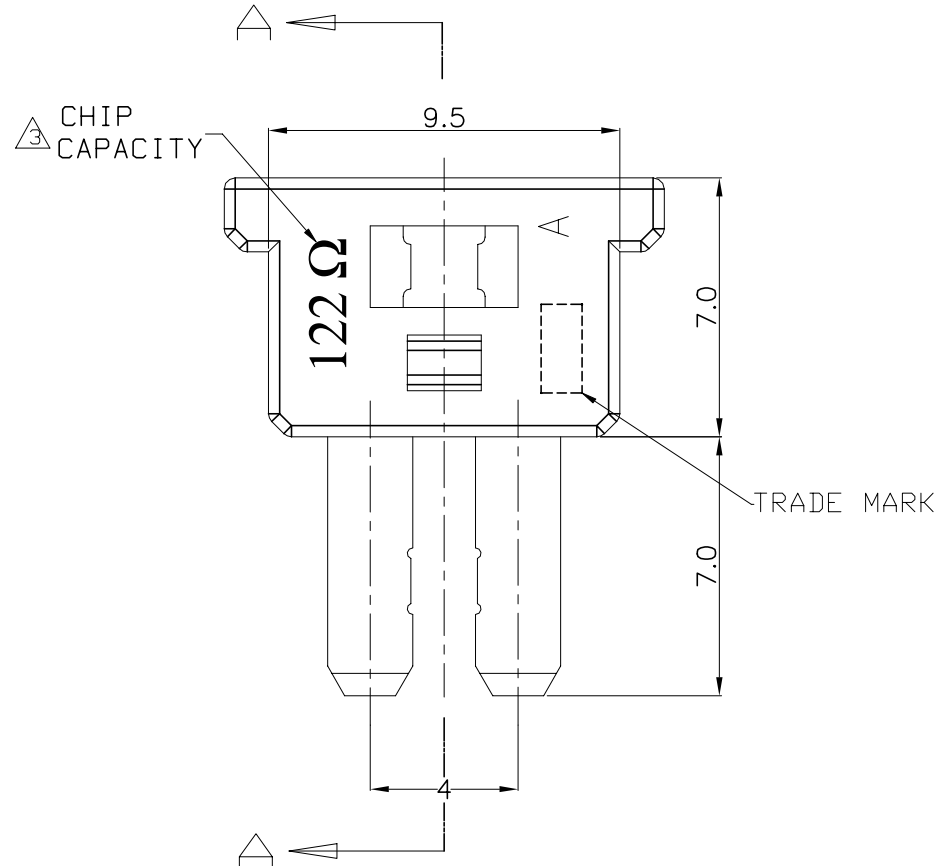
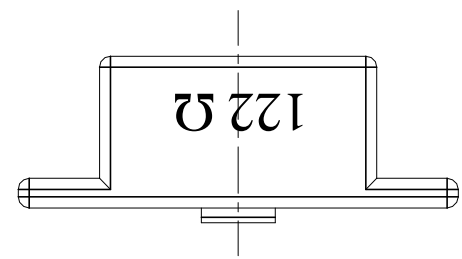
RELEASED FOR PUBLICATION

© COPYRIGHT

BY TYCO ELECTRONICS CORPORATION, ALL RIGHTS RESERVED.

REVISIONS

| P | LTR | DESCRIPTION            | DATE      | DWN    | APVD   |
|---|-----|------------------------|-----------|--------|--------|
|   | A   | RELEASED               | 14,NOV'06 | YD.LEE | JKSONG |
|   | B   | REVISED(ECR-10-025267) | 09,DEC'10 | JH     | HG     |
|   | B1  | REVISED(ECR-16-005223) | 12,APR'16 | EW     | KT     |
|   | C   | REVISED(ECR-22-146627) | 22,MAY'22 | HC     | KT     |



NOTES.

- 1. THE MATING PLUG ASSEMBLY P/N ; 936582-1
- 2. 0.15 MAX. WARPAGE AND 0.2 MAX. FLASH ARE PERMISSIBLE
- 3. CHIP CAPACITY : 121Ω +6%/-1%

|   |                  |          |                         |          |
|---|------------------|----------|-------------------------|----------|
| 2 | -                | -        | TAB WITH CHIP RESISTOR  | -        |
| 1 | WHITE            | PBT-GF15 | CHIP RESISTOR CONNECTOR | 936575-1 |
|   | NO. FINISH/COLOR | MATERIAL | DESCRIPTION             | P/NO     |

THIS DRAWING IS A CONTROLLED DOCUMENT FOR TYCO ELECTRONICS CORPORATION  
IT IS SUBJECT TO CHANGE AND THE CONTROLLING ENGINEERING ORGANIZATION  
SHOULD BE CONTACTED FOR THE LATEST REVISION.

|                      |   |  |   |                      |
|----------------------|---|--|---|----------------------|
| DIMENSIONS:<br>MM    | TOLERANCES UNLESS<br>OTHERWISE SPECIFIED:<br><br>±0.3<br>ANGLES ±3° | DWN<br>JH CHD<br>CHK<br>KT LIM<br>APVD<br>HG CHD<br>PRODUCT SPEC<br>APPLICATION SPEC<br>WEIGHT |   |                      |
| 3rd ANGLE PROJECTION | MATERIAL  | FINISH   | <b>NON SEALED CHIP RESISTOR CONNECTOR FOR CAN</b> |                      |
| CUSTOMER DRAWING     |   | SIZE<br>A3   | CAGE CODE<br>00779                                | DRAWING NO<br>936575 |
|                      |   | SCALE<br>5/1   | SHEET<br>1  | OF<br>1              |
|                      |   | REV<br>C   |   |                      |