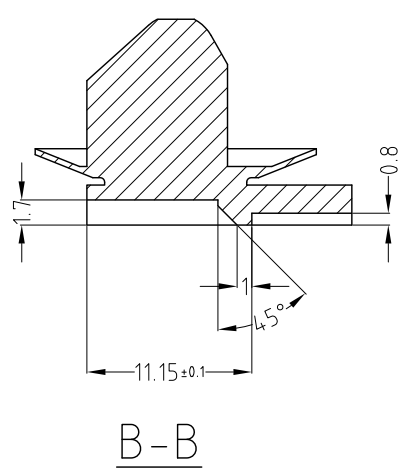
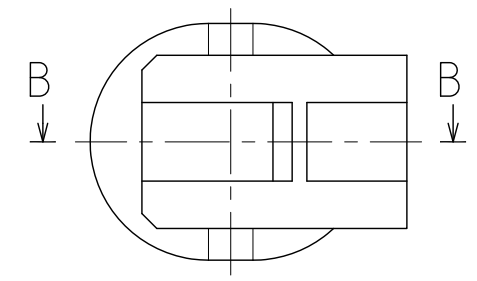
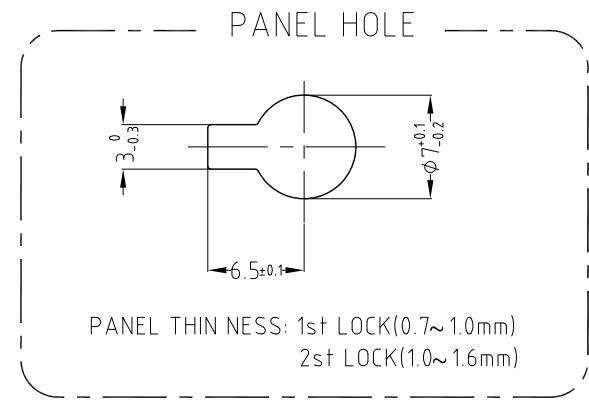
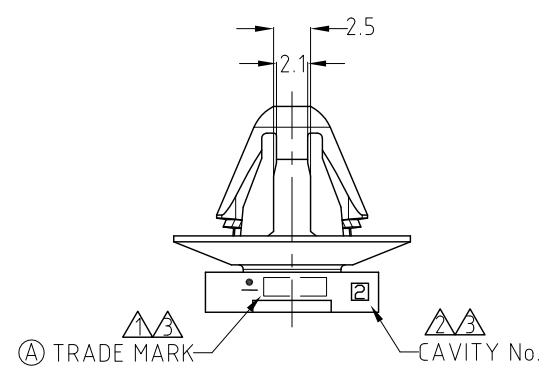
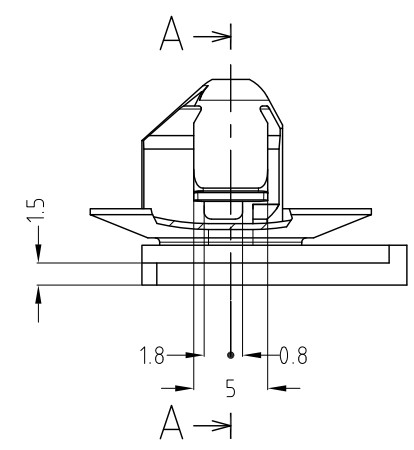
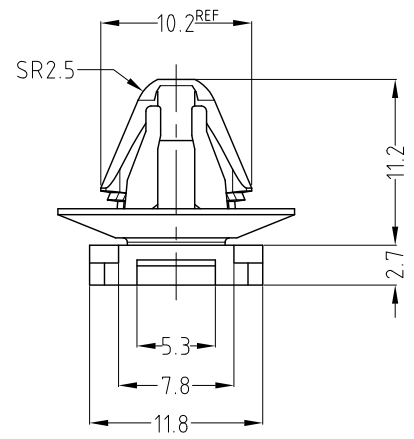
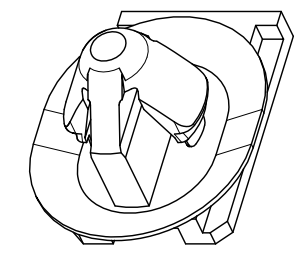
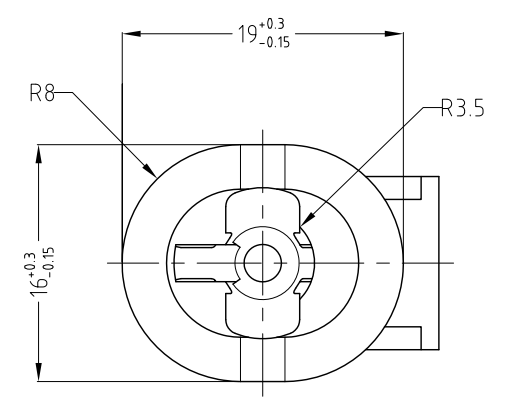
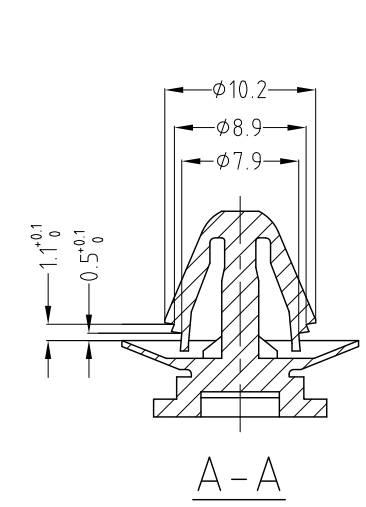


LOC	DIST	REVISIONS			
P	LTR	DESCRIPTION	DATE	DWN	APVD
	0	RELEASE ECN(FC00-0121-03)	22,AUG,03	JW	CS
	A	REVISED (ECR-10-025105)	08,DEC,10	JH	HG

D
C
B
A

D
C
B
A



NOTE:
 (A) TRADE MARK : ACCORDING TO 1-15994-3
 CAVITY MARK
 CHARACTERS 1.5 HEIGHT AND 0.5 RASIDE INSIDE 0.5mm

PART NO.	COLOR	MATERIAL
936551-2	BLACK	↓
936551-1	NATURAL	NYRON 66

THIS DRAWING IS CONTROLLED DOCUMENT FOR AMP INCORPORATED.		DWN JH CHO		TE Connectivity	
DIMENSIONS: MM		CHK KT LIM			
TOLERANCES UNLESS OTHERWISE SPECIFIED:		APVD HG CHO		NAME	
0 <XX<10 ± 0.2		PRODUCT SPEC ---		CLIP HSG FOR .09011 MLC(Ø7 KEY HOLE)	
10<XX<30 ± 0.25		APPLICATION SPEC ---			
30<XX ± 0.3		WEIGHT ---		SIZE	CAGE CODE
ANGLES ± 3°				A3	00779
MATERIAL SEE TABLE		FINISH		DRAWING NO 936551	
				SCALE 2 : 1 SHEET 1 OF 1 REV A	