

THIS DRAWING IS UNPUBLISHED.

RELEASED FOR PUBLICATION

,19 .

© COPYRIGHT 19

BY AMP INCORPORATED. ALL RIGHTS RESERVED.

LOC

DIST

REVISIONS

DS

P

LTR

DESCRIPTION

DATE

DWN

APVD

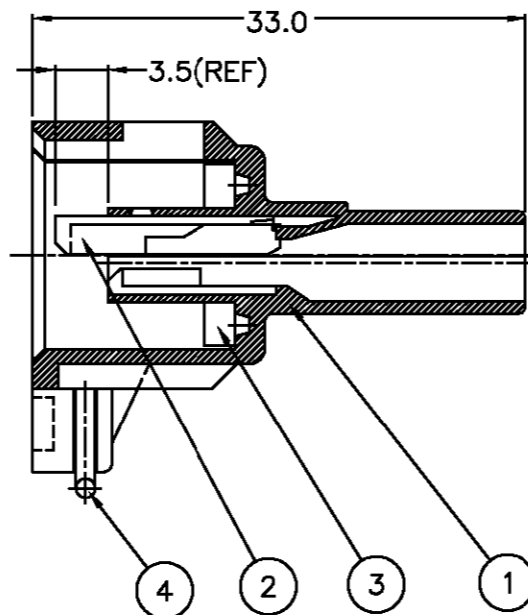
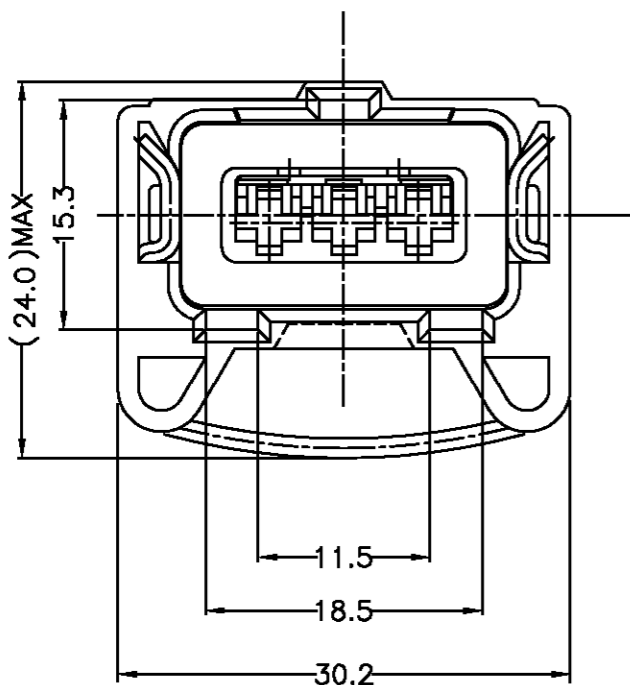
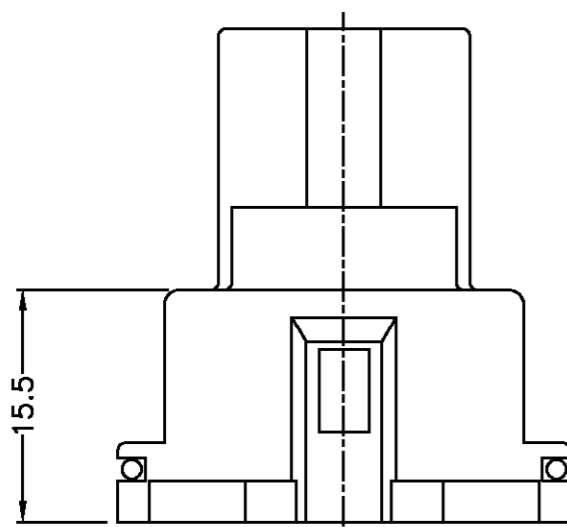
0

RELEASED (FC00-0007-02)

'02  
8/FEB

YD

CS



\* NOTES \*

- 1. APPLICABLE CONTACT P/NO: 927770/927766
- 2. APPLICABLE WIRE SEAL P/NO: 828904/828905/368064

NO	P/NO	DESCRIPTION	MATERIAL	COLOR	Q'TY
4	85388-1	SPRING	SUS 304		1
3	85384-2	SEAL RUBBER	SILICONE	BLUE	1
2	85207-1	SPACER	PBT	YELLOW	1
1	936305-1	JPT 3P HSG(STD:SHORT)	PBT 30% GF	BLACK	1

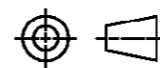
P/NO	DESCRIPTION
936304-1	JPT 3P ASS'Y (STD:SHORT)

THIS DRAWING IS A CONTROLLED DOCUMENT FOR AMP INCORPORATED. IT IS SUBJECT TO CHANGE AND THE CONTROLLING ENGINEERING ORGANIZATION SHOULD BE CONTACTED FOR THE LATEST REVISION.

DIMENSIONS:  
MM

TOLERANCES UNLESS OTHERWISE SPECIFIED:

0<XX<10 ± 0.2  
 10<XX<30 ± 0.25  
 30<XX<100 ± 0.3  
 ANGLES ± 3°



3rd ANGLE PROJECTION

MATERIAL

FINISH

DWN

CHK

APVD

PRODUCT SPEC

108-61000

APPLICATION SPEC

114-18018

WEIGHT

6 g

NAME

JPT 3P ASS'Y (STD:SHORT)

SIZE

A3

CAGE CODE

00779

DRAWING NO

936304

SCALE 2/1

SHEET 1 OF 1

REV 0



AMP KOREA.  
kyungsan, korea