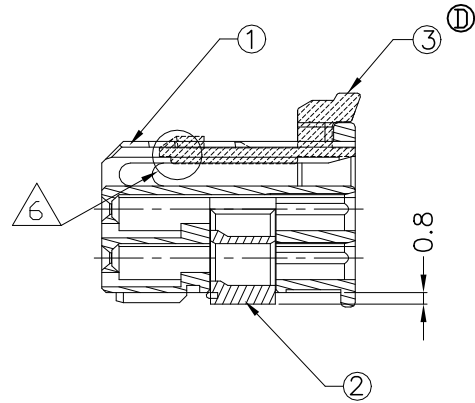
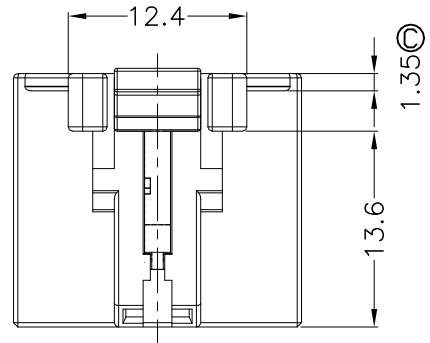
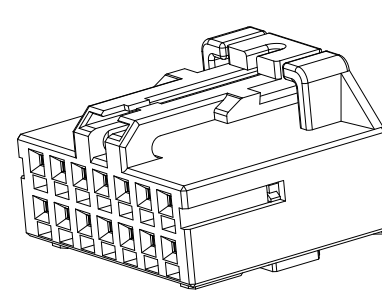


THIS DRAWING IS UNPUBLISHED. RELEASED FOR PUBLICATION  
 © COPYRIGHT BY TYCO ELECTRONICS CORPORATION. ALL RIGHTS RESERVED.

LOC	DIST	REVISIONS					
		P	LTR	DESCRIPTION	DATE	DWN	APVD
DS	-			F REVISED (ECR-19-014755)	30,SEP,'19	CI	YJ
				F1 REVISED (ECR-22-150754)	25,AUG,'22	CH	KT

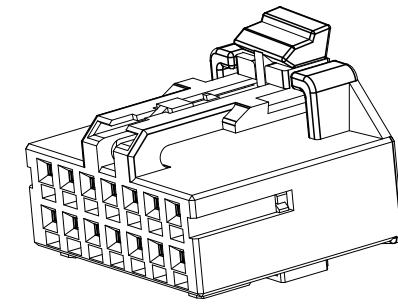


SECTION A-A  
(SCALE 2/1)

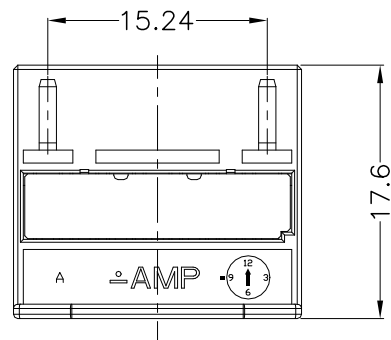
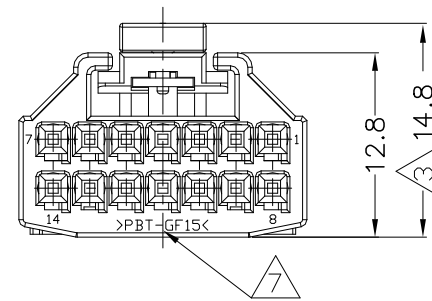
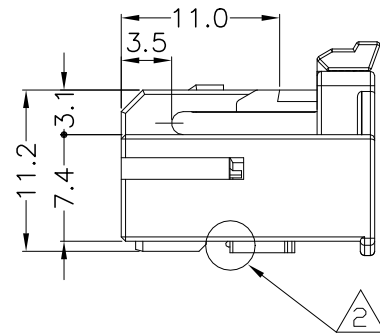
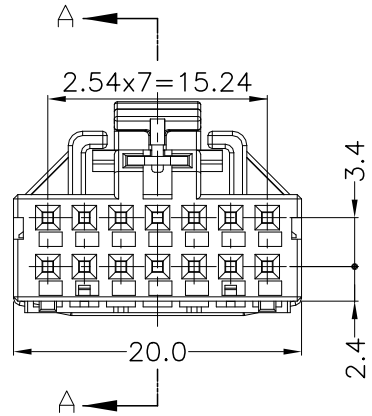


0-936124-1  
 0-936124-2  
 2-936124-3  
 3-936124-4

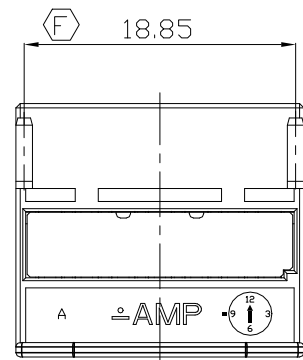
3D VIEW  
(SCALE 2/1)



1-936124-2



0-936124-1  
 0-936124-2  
 1-936124-2  
 2-936124-3



3-936124-4

NOTES

- GENERAL TOLERANCE IS ±0.3
  - CONDITION OF DELIVERY : DBL IN 1ST LOCKING POSITION
  - 1-936124-2 ONLY
  - APPLIED CAP ASS'Y P/N: 936126
  - APPLIED RECEPTACLE CONTACT P/N:
- | Part NO. (F)                | 5-928999-X | 5-963715-X |
|-----------------------------|------------|------------|
| WIRE SIZE(mm <sup>2</sup> ) | 0.25~0.5   | 0.75       |
- CONDITION OF DELIVERY : CPA IN 1ST LOCKING POSITION
  - RECYCLE MARK :  
 - >PBT-GF15< : 0-936124-1, 0-936124-2  
 - >PA66-GF15< : 2-936124-3, 3-936124-4

NO	DESCRIPTION	MATERIAL	COLOR	Q'TY
7	CPA HSG	PBT-GF20	WHITE	1
6	DBL HSG	PA66-GF15	BLACK	1 1
5	DBL HSG	PBT-GF15	WHITE	1 1 1
4	PLUG HSG CODE2	PA66-GF15	BROWN	1
3	PLUG HSG CODE1	PA66-GF15	DARK GRAY	1
2	PLUG HSG CODE1	PBT-GF15	YELLOW	1 1
1	PLUG HSG CODE1	PBT-GF15	BLACK	1

THIS DRAWING IS A CONTROLLED DOCUMENT FOR TYCO ELECTRONICS CORPORATION. IT IS SUBJECT TO CHANGE AND THE CONTROLLING ENGINEERING ORGANIZATION SHOULD BE CONTACTED FOR THE LATEST REVISION.

DIMENSIONS: mm	TOLERANCES UNLESS OTHERWISE SPECIFIED: 0 PLC ± 1 PLC ± 2 PLC ± 3 PLC ± 4 PLC ± ANGLES ±
3rd ANGLE PROJECTION	FINISH -----
MATERIAL SEE TABLE	

DWN : JM JEON
CHK : JW JUNG
APVD : HG CHD
PRODUCT SPEC -----
APPLICATION SPEC -----
WEIGHT -----

**STE** TE connectivity

NAME  
MQS 14P PLUG ASSEMBLY

SIZE	CAGE CODE	DRAWING NO	RESTRICTED TO
A3	00779	C= 936124	

SCALE 2/1 SHEET 1 OF 1 REV F1