

THIS DRAWING IS UNPUBLISHED.

RELEASED FOR PUBLICATION

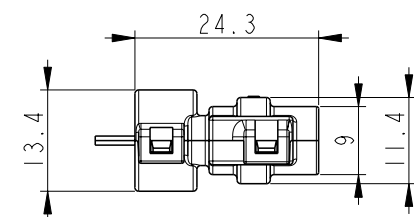
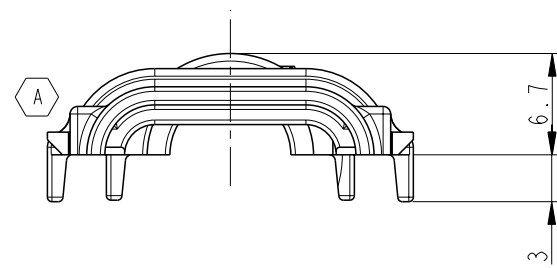
20

© COPYRIGHT 20 BY -

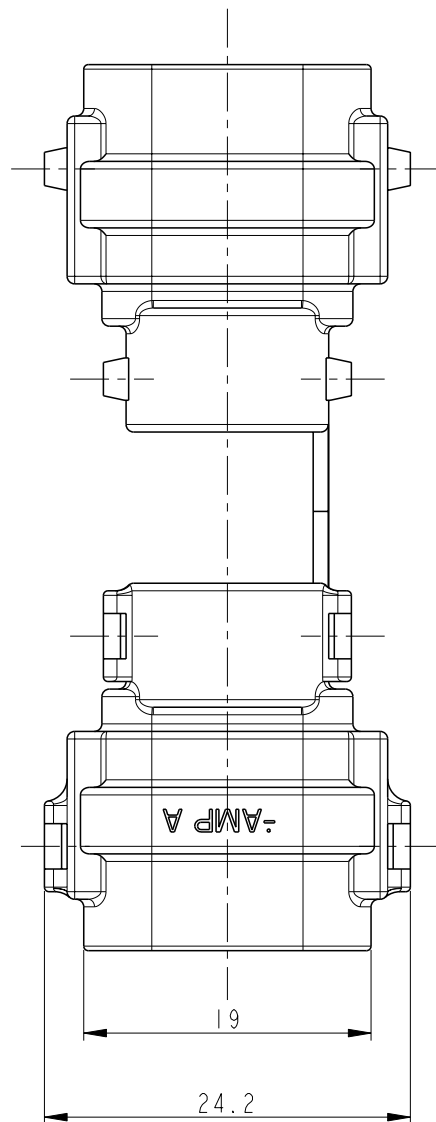
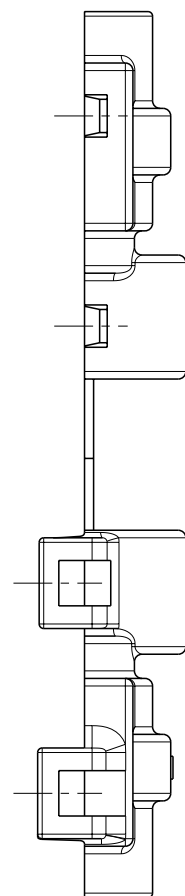
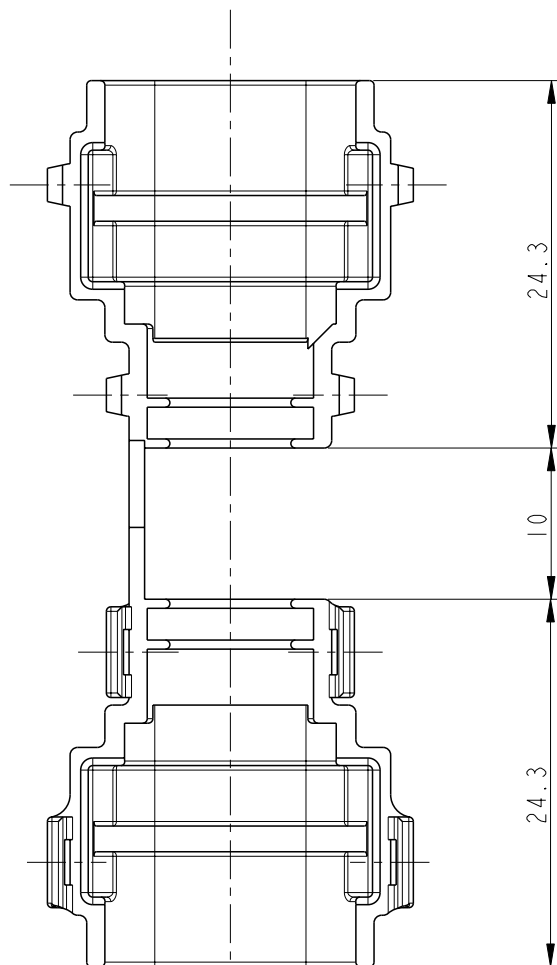
ALL RIGHTS RESERVED.

REVISIONS

P	LTR	DESCRIPTION	DATE	DWN	APVD
	O	RELEASED(FC00-0109-01)	11.OCT.'01	HS	CS
	A	REVISED (ECR-18-004863)	28.NOV.'18	JS	YJ



ASS'Y VIEW



NOTE
 1. APPLICABLE CORRUGATOR DIMETER : $\varnothing 7.0$
 2. APPLICABLE PLUG HSG P/N : 936060-1, 936061-1

NO	COLOR	MATERIAL	DESCRIPTION	P/N
1	BLACK	PA66	COVER HSG	0-936112-1

THIS DRAWING IS A CONTROLLED DOCUMENT.		DWN HS BAE			
DIMENSIONS: mm		CHK YM CHOI			
TOLERANCES UNLESS OTHERWISE SPECIFIED:		APVD JK SONG	NAME COVER HSG FOR 2.8mm SLD 3P PLUG CONN'R		
0 PLC 0<XX<10±0.2 1 PLC10<XX<30±0.25 2 PLC30<XX ±0.3 3 PLC ± 4 PLC ANGLES ±3°		PRODUCT SPEC	SIZE A3		
3rd ANGLE PROJECTION		APPLICATION SPEC	CAGE CODE 00779	DRAWING NO G-936112	RESTRICTED TO -
MATERIAL SEE TABLE		WEIGHT -	SCALE 2:1		
		CUSTOMER DRAWING	SHEET 1 OF 1 REV A		