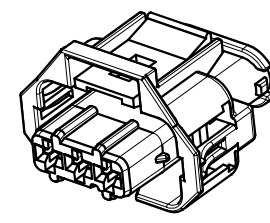


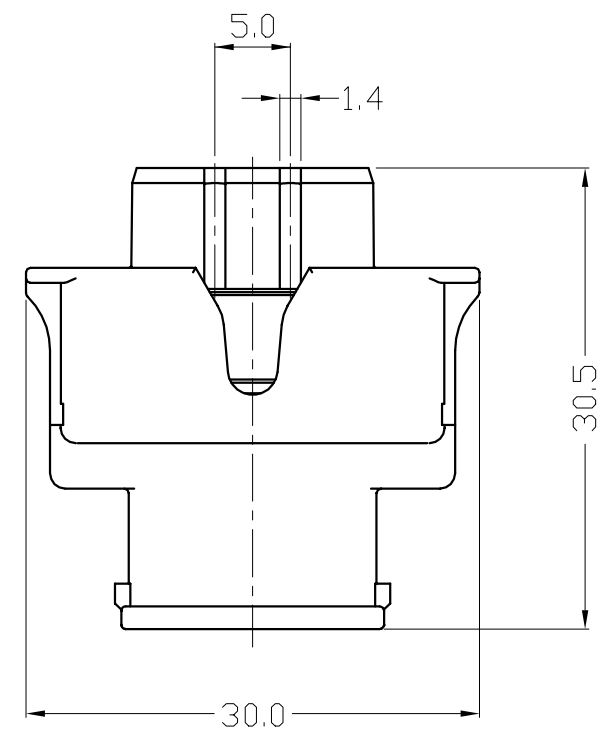
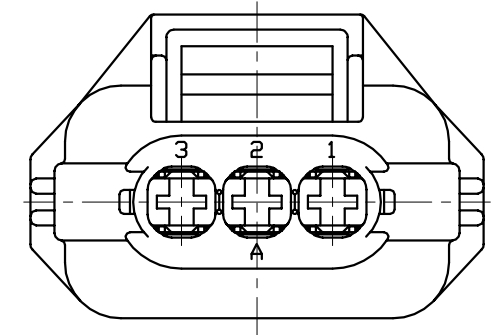
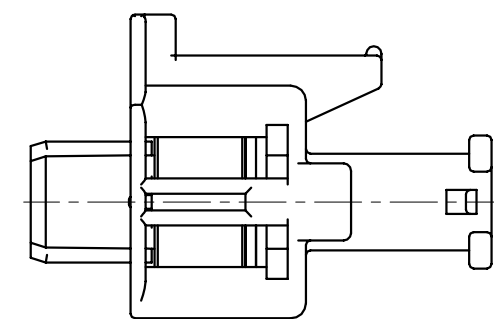
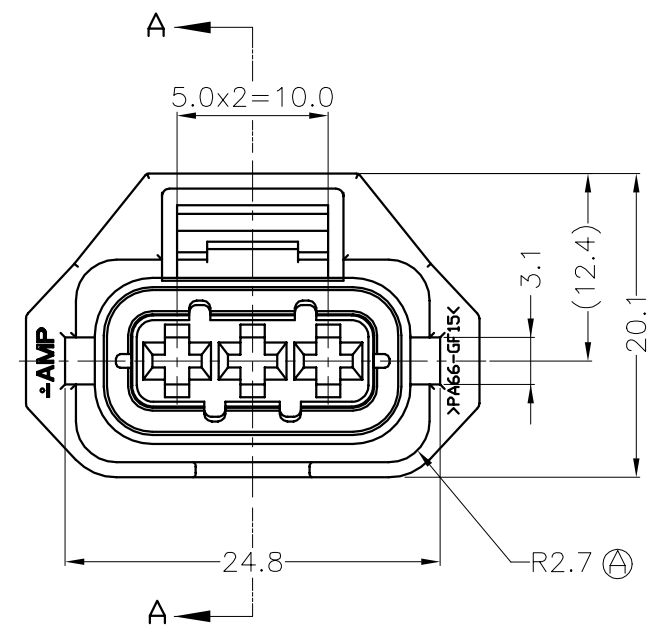
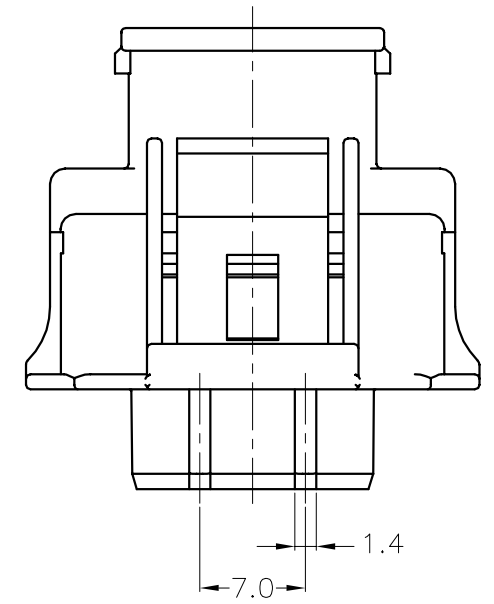
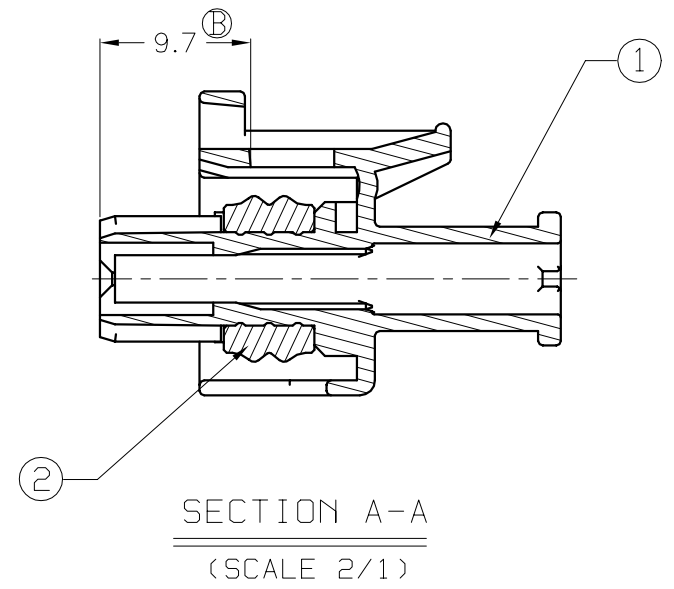
THIS DRAWING IS UNPUBLISHED. RELEASED FOR PUBLICATION
 © COPYRIGHT BY TYCO ELECTRONICS CORPORATION. ALL RIGHTS RESERVED.

REVISIONS					
P	LTR	DESCRIPTION	DATE	DWN	APVD
C		REVISED (FC00-0140-03)	01.OCT.'03	HS	CS
D		REVISED (ECR-13-000208)	08.JAN.'13	JM	HG
D1		REVISED (ECR-14-014192)	29.SEP.'14	JM	HG
E		REVISED (ECR-20-012240)	31.AUG.'20	YH	YJ

ASSEMBLY



3D VIEW (SCALE 1/1)



NOTE ;

- 1. 0.15 MAX. WARPAGE AND 0.2 MAX. FLASH ARE PERMISSIBLE
- 2. SURFACE DEFECTS ARE NOT ACCEPTABLE AS FOLLOW: SINK, WELD LINES, HAIRCRACKS, STAINS & SCORES
- 3. APPLIED RECEPTACLE CONTACT P/N:

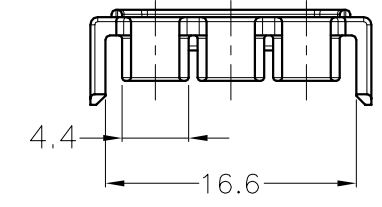
DESCRIPTION	2.8mm SENSOR-FLAT RECEPTACLE	
Part NO.	967542	967543
WIRE SIZE(mm ²)	0.5 ~ 1.0	1.25 ~ 2.5

- 4. APPLIED WIRE SEAL P/N:

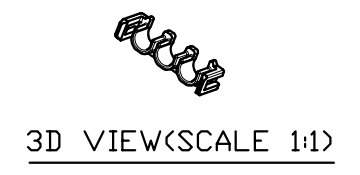
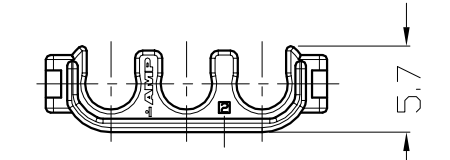
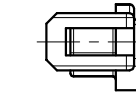
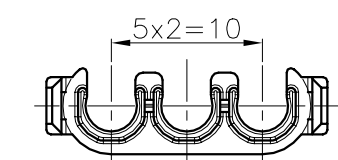
DESCRIPTION	SINGLE-WIRE SEAL(5mm HoLe)	
Part NO.	828904	828905
INSULATION DIA.(φ)	1.2 ~ 2.1mm	2.2 ~ 3.0mm

ACCESSORIES DRAWING

- ① 1. DBL HSG : P/N:936106



SCALE : 2/1



3D VIEW(SCALE 1:1)

NOTE ;

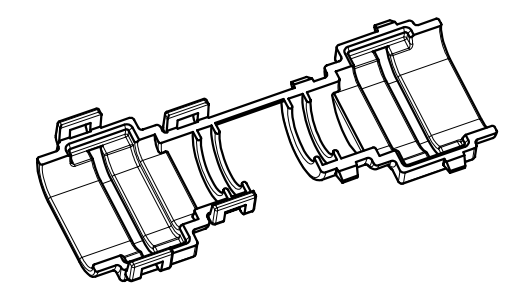
- ① 1) MATERIAL : PBT

- ② 2. COVER HSG : P/N:936112

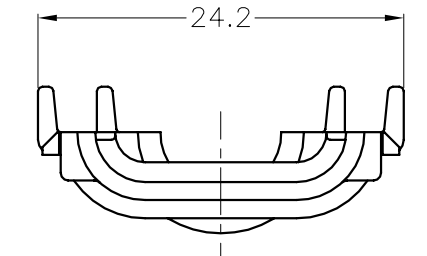
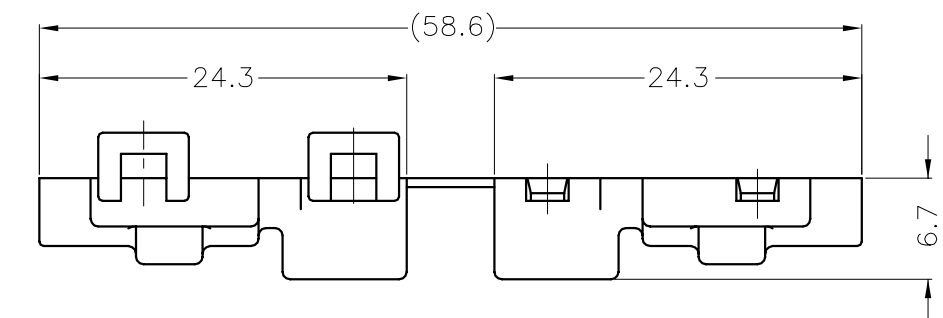
SCALE : 2/1

NOTE ;

- ① 1) MATERIAL : NYLON 66
- 2) CORRUGATOR DIAMETER : φ7.0



3D VIEW(SCALE 1:1)



Q'TY	P/N	DESCRIPTION	MATERIAL	COLOR	NO
1	936801-4	INNER SEAL	SILICONE(LSR)	TRAFFIC RED	2
1	936801-2	INNER SEAL	SILICONE(LSR)	GRAY	2
1	1-936105-1	PLUG HSG	PA 66 GF15	BLACK	1

ASSEMBLY P/N 936061-200 936061-1 E	THIS DRAWING IS A CONTROLLED DOCUMENT FOR TYCO ELECTRONICS CORPORATION. IT IS SUBJECT TO CHANGE AND THE CONTROLLING ENGINEERING ORGANIZATION SHOULD BE CONTACTED FOR THE LATEST REVISION.		DWN : JM JEON		
	DIMENSIONS: MM		CHK : JW JUNG		
	TOLERANCES UNLESS OTHERWISE SPECIFIED: 0 <XX<10 ± 0.2 10<XX<30 ± 0.25 30<XX ± 0.3 ANGLES ± 3°		APVD : HG CHO	NAME	
	3rd ANGLE PROJECTION		PRODUCT SPEC	2.8mm SEALED 3P PLUG ASSEMBLY	
MATERIAL		FINISH	APPLICATION SPEC	SIZE	CAGE CODE
SEE TABLE		---	114-18144	DRAWING NO	
			WEIGHT	RESTRICTED TO	
				A200779 C- 936061	
				SCALE 2/1 SHEET 1 OF 1 REV E	